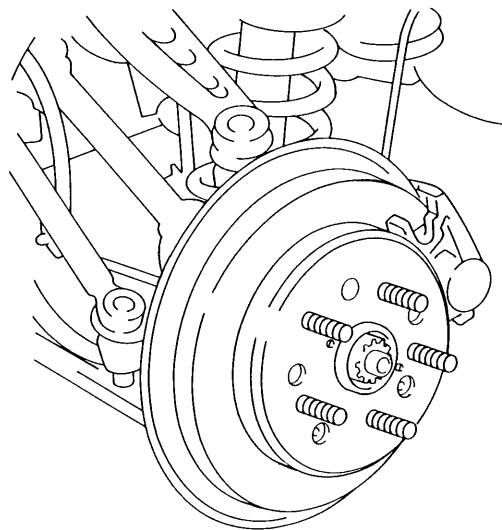
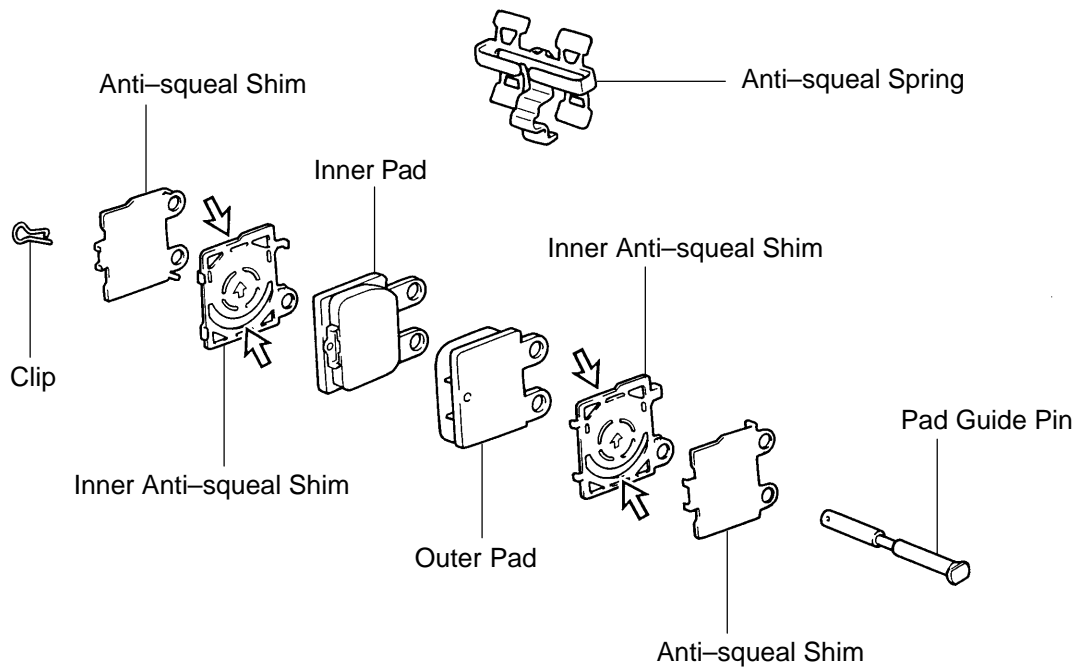


REAR BRAKE PAD COMPONENTS

BR0JP-06



← Disc brake grease

N

F06933