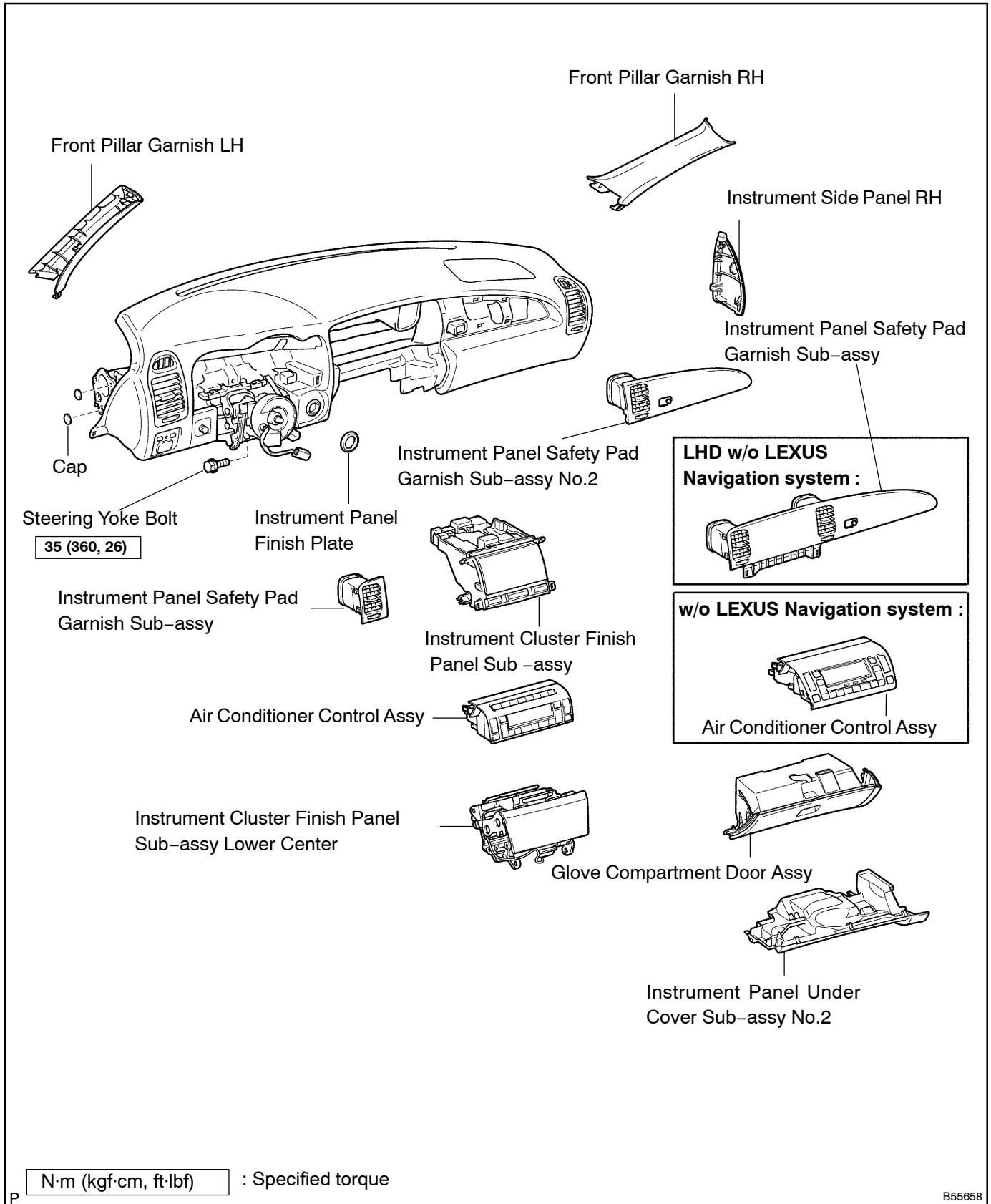


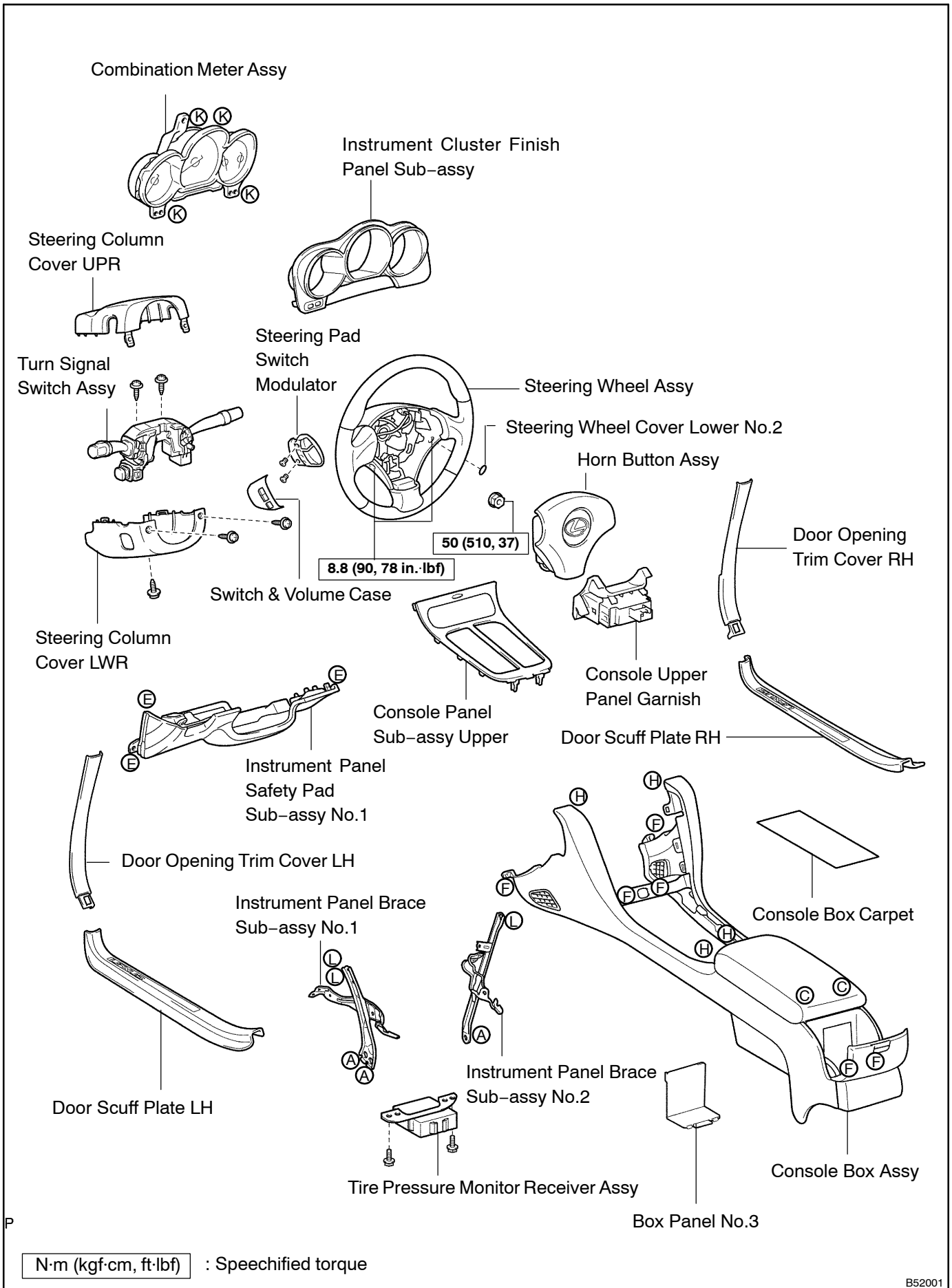
AUDIO & VISUAL SYSTEM COMPONENTS

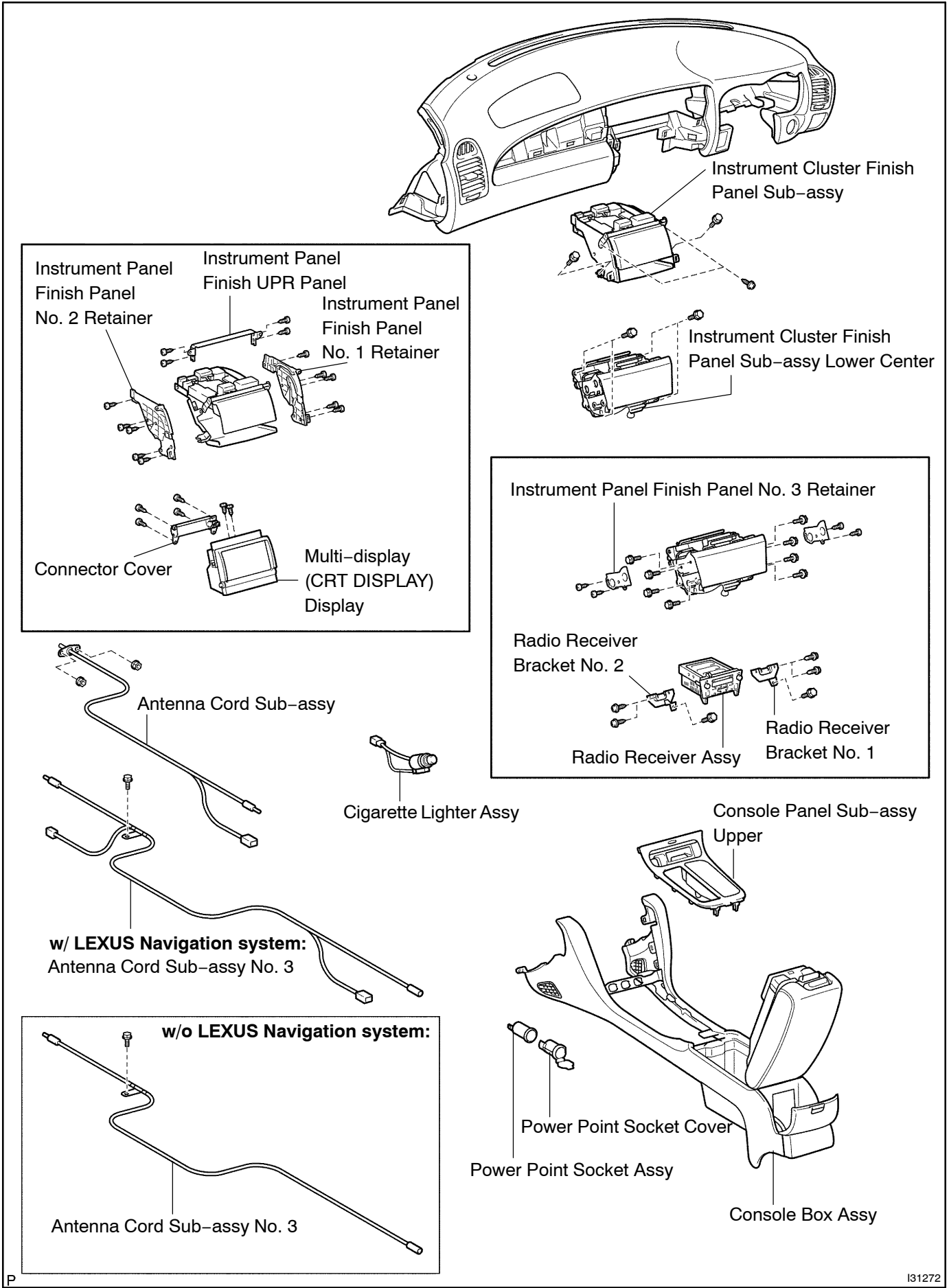
6706C-01

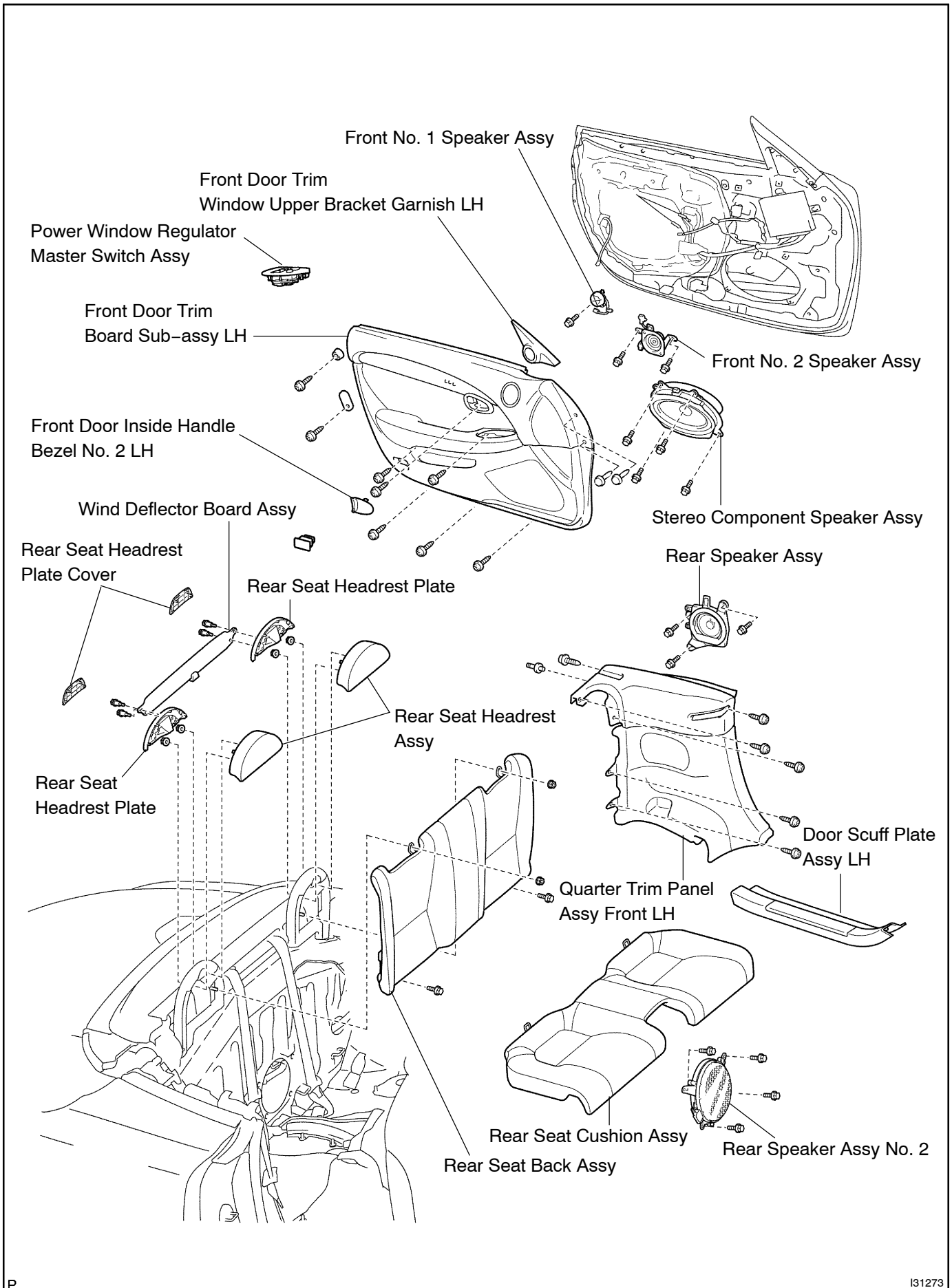


N·m (kgf·cm, ft·lbf) : Specified torque

B55658







P

I31273

