



**Technical Service
Information Bulletin**

July 29, 2004

Title:

REAR LUGGAGE LOCK INOPERATIVE

Models:

'02 – '04 SC 430

ELECTRICAL
EL004-04

Introduction Some customers with 2002 – 2004 model year SC 430 vehicles may complain that the trunk release is intermittently inoperative. An additional ground cable has been created to improve this condition.

- Applicable Vehicles**
- **2002 – 2004** model year **SC 430** vehicles produced **BEFORE** the Production Change Effective VIN shown below.

**Production
Change
Information**

MODEL	PRODUCTION CHANGE EFFECTIVE VIN
SC 430	JTHFN48Y#40059743

**Parts
Information**

PREVIOUS PART NUMBER	CURRENT PART NUMBER	PART NAME	QTY
N/A	64535-24020	Wire, Luggage Compartment Ground	1
N/A	90179-06274	Nut	1
N/A	90464-00748	Clamp	1

**Warranty
Information**

OP CODE	DESCRIPTION	TIME	OFP	T1	T2
EL4005	Install Trunk Actuator Ground	0.6	64535-24020	9A	71

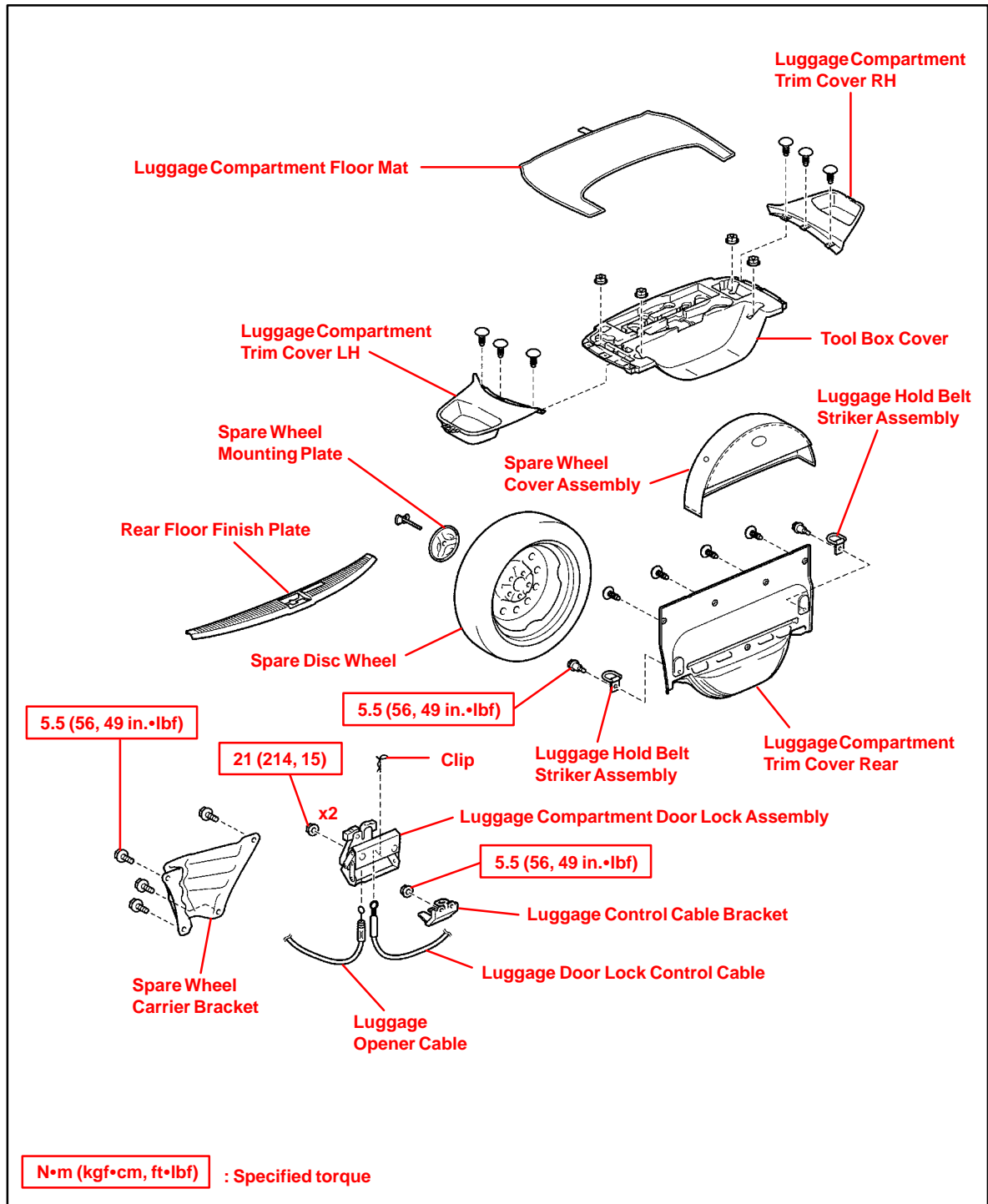
Applicable Warranty*:

This repair is covered under the Lexus Comprehensive Warranty. This warranty is in effect for 48 months or 50,000 miles, whichever occurs first, from the vehicle's in-service date.

* Warranty application is limited to correction of a problem based upon a customer's specific complaint.



Components



Repair Procedure

HINT:

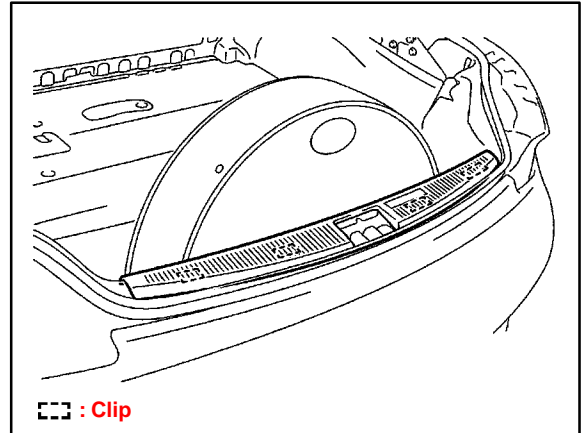
The installation procedures are the removal procedures in reverse order. However, only installation procedures requiring additional information are included.

1. Remove Rear Floor Finish Plate.

- A. Using a screwdriver, disengage the 4 clips and remove the rear floor finish plate.

HINT:

Tape the screwdriver tip before use.



2. Remove Spare Wheel Cover Assembly (if equipped).

3. Remove Spare Disc Wheel (if equipped).

4. Remove Luggage Compartment Floor Mat.

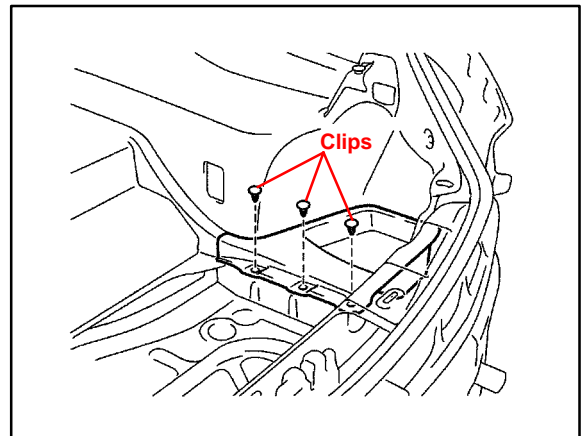
5. Remove Luggage Compartment Trim Cover RH.

- A. Using a clip remover, remove the 3 clips.
- B. Remove the luggage compartment trim cover RH.

6. Remove Luggage Compartment Trim Cover LH.

HINT:

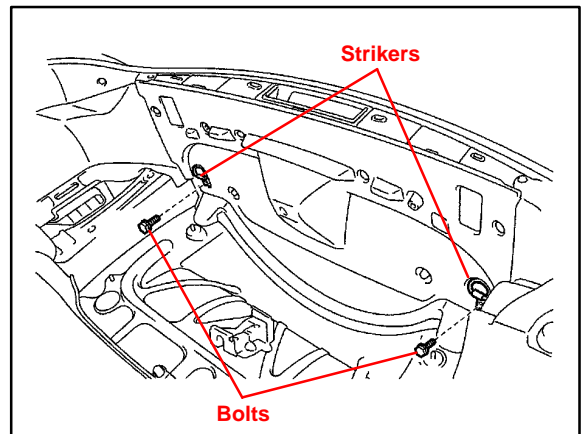
Use the same procedures described above for the RH side.



7. Remove Tool Box Cover.

8. Remove Luggage Hold Belt Striker Assembly.

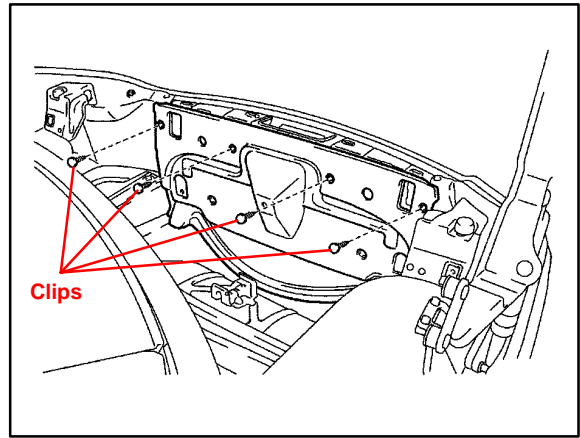
- A. Remove the 2 bolts and 2 luggage hold belt strikers.



Repair Procedure
(Continued)

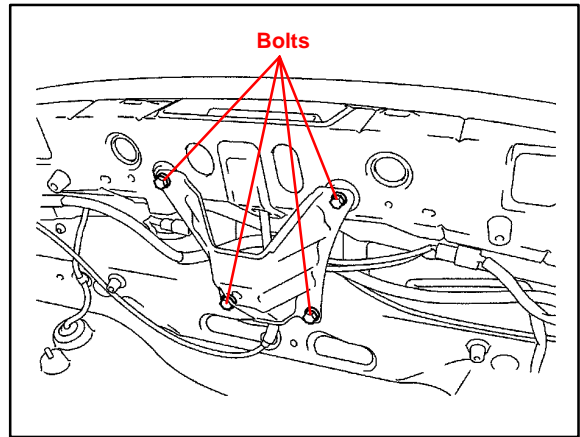
9. Remove Luggage Compartment Trim Cover Rear.

- A. Using a clip remover, remove the 4 clips.
- B. Remove the luggage compartment trim cover rear.



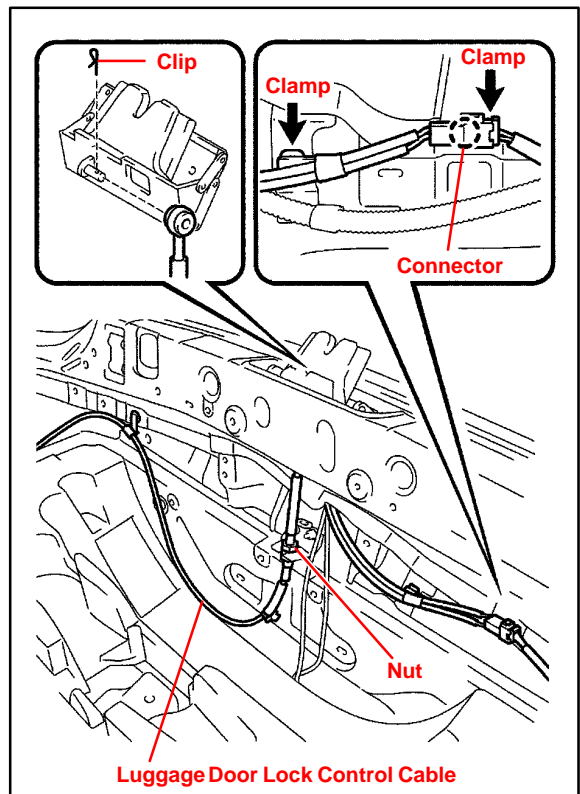
10. Remove Spare Wheel Carrier Bracket (if equipped).

- A. Remove the 4 bolts and spare wheel carrier bracket.



11. Remove Luggage Door Lock Control Cable.

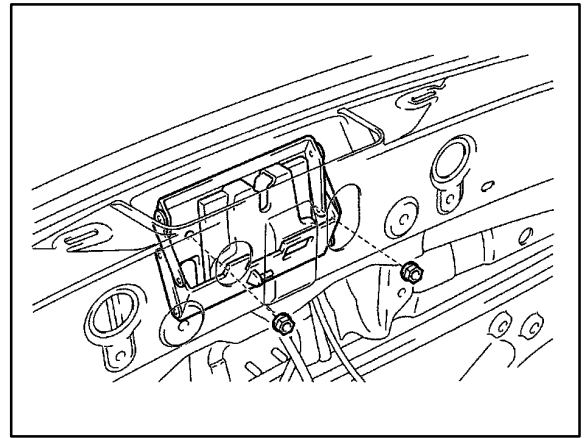
- A. Disconnect the connector and 2 clamps.
- B. Loosen the nut and luggage door lock control cable, as shown in the illustration.
- C. Remove the clip, then disconnect the luggage door lock control cable.



Repair Procedure
(Continued)

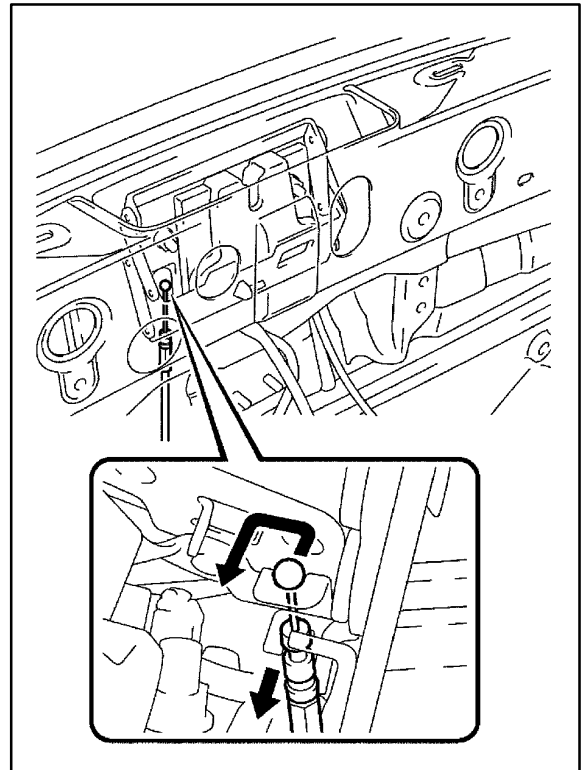
12. Remove Luggage Compartment Door Lock Assembly.

A. Remove the 2 nuts.



B. Disconnect the luggage opener cable, as shown in the illustration.

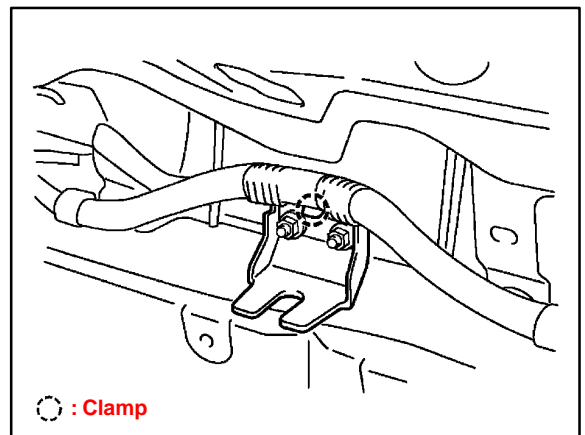
C. Remove the luggage compartment door lock assembly.



13. Disengage Clamp.

A. Using a screwdriver, disengage the clamp.

HINT:
Tape the screwdriver tip before use.



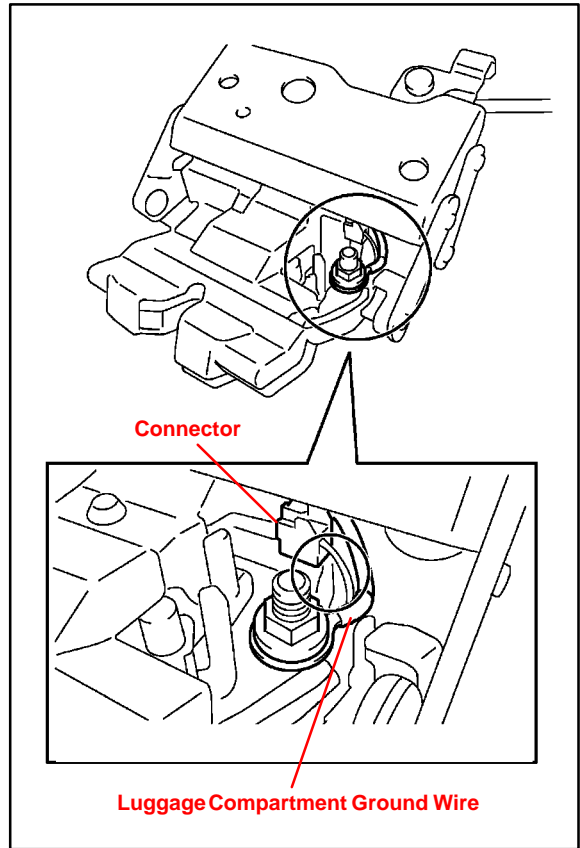
Repair Procedure
(Continued)

14. Install Luggage Compartment Ground Wire.

- A. Remove the nut.
- B. Install the cable with the nut.

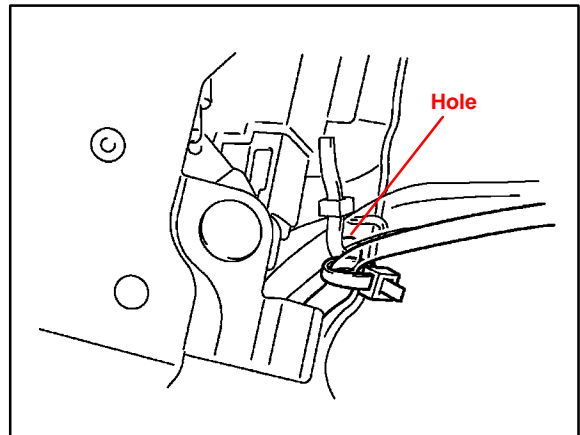
Torque: 31 N•m (316 kgf•cm, 23 ft•lbf)

NOTE:
Be careful not to interfere with the luggage compartment ground wire to the connector.



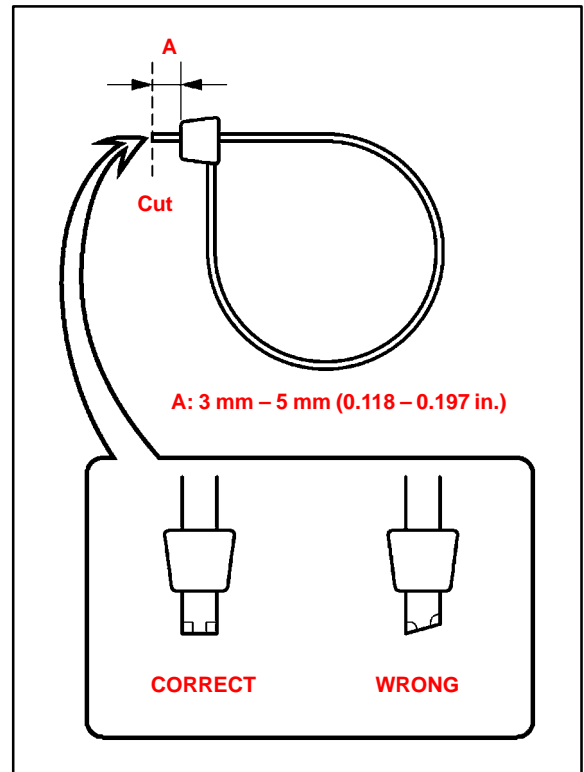
- C. Secure the luggage compartment ground wire with a cable tie.

HINT:
Pass the cable tie through the hole, and then fasten it.



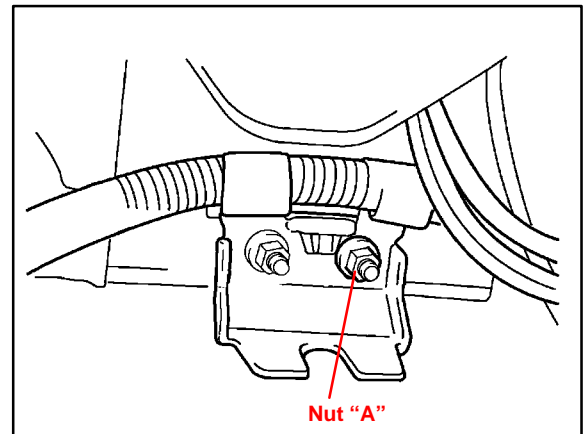
Repair Procedure
(Continued)

- D. Trim cable tie.
 - a. Cut off the cable tie, as shown in the illustration.



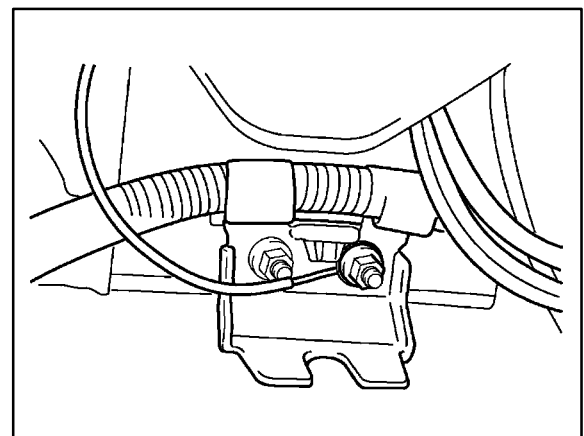
- E. Remove and discard the nut shown as nut "A" in the illustration.

NOTE:
Do not reuse the nut.



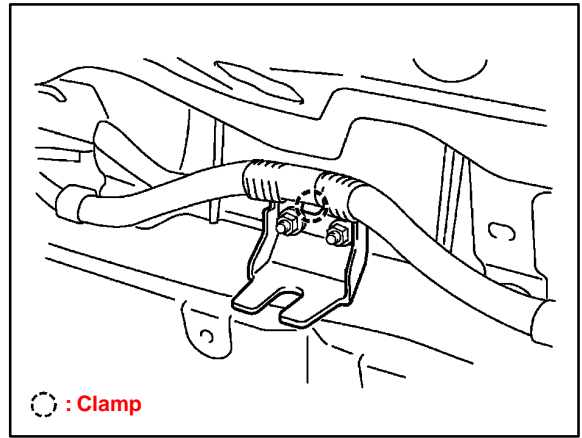
- F. Install the terminal of the luggage compartment ground wire with the new nut, as shown in the illustration.

Torque: 5.5 N•m (56 kgf•cm, 49 in.•lbf)



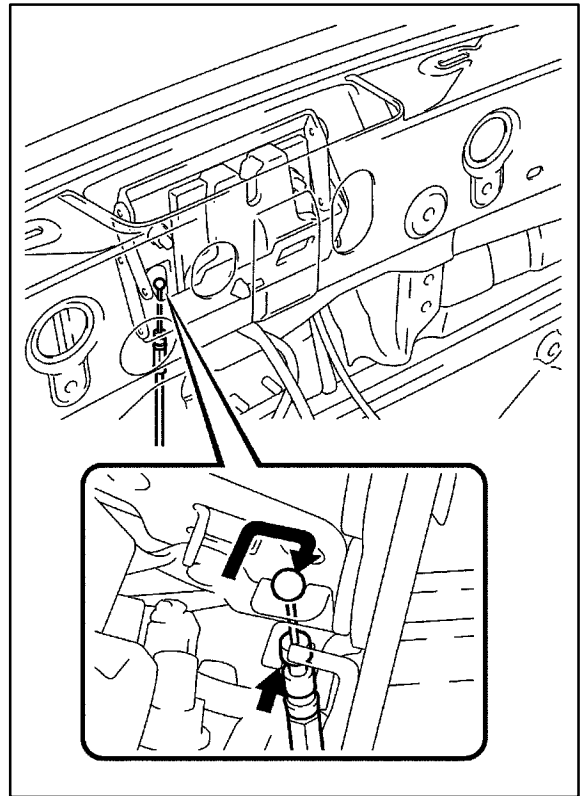
Repair
Procedure
(Continued)

15. Connect Clamp.



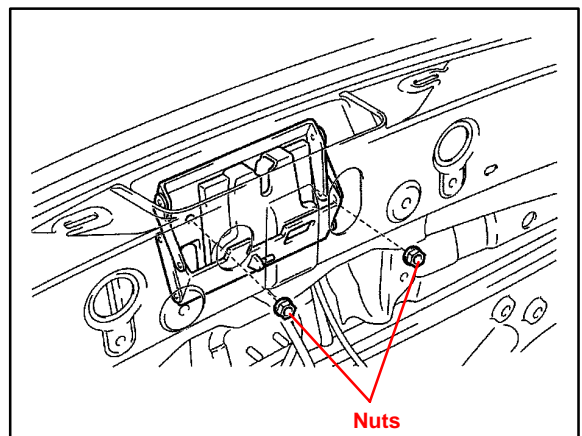
16. Install Luggage Compartment Door Lock Assembly.

- A. Connect the luggage opener cable, as shown in the illustration.



- B. Install the 2 nuts.

Torque: 21 N•m (214 kgf•cm, 15 ft•lbf)



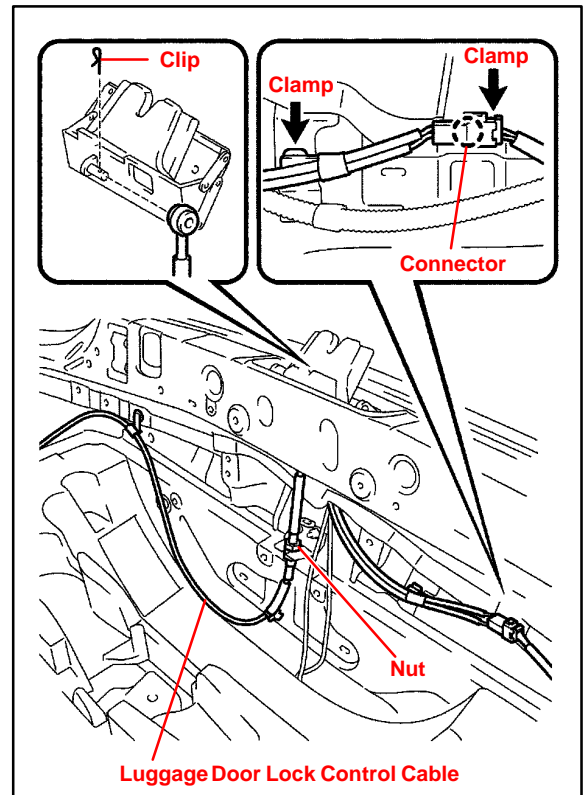
Repair Procedure
(Continued)

17. Install Luggage Door Lock Control Cable.

- A. Install the luggage door lock control cable with clip.
- B. Tighten the nut.

Torque: 77 N•m (785 kgf•cm, 57 ft•lbf)

- C. Connect the connector and 2 clamps.

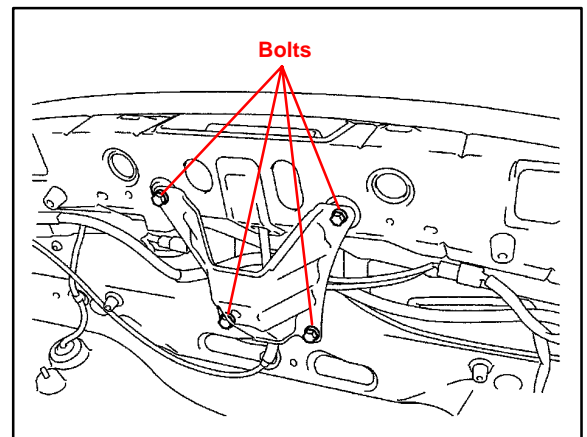


18. Install Spare Wheel Carrier Bracket (if equipped).

- A. Install the spare wheel carrier bracket with the 4 bolts.

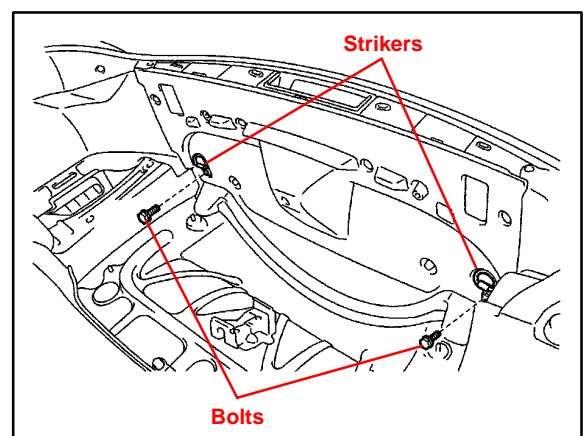
Torque: 5.5 N•m (56 kgf•cm, 49 in.•lbf)

19. Install Luggage Compartment Trim Cover Rear.



20. Install Luggage Hold Belt Striker Assembly.

Torque: 5.5 N•m (56 kgf•cm, 49 in.•lbf)



**Repair
Procedure**
(Continued)

- 21. Install Tool Box Cover.**
- 22. Install Luggage Compartment Trim Cover LH.**
- 23. Install Luggage Compartment Trim Cover RH.**
- 24. Install Spare Disc Wheel (if equipped).**
- 25. Install Spare Wheel Cover Assembly (if equipped).**
- 26. Install Rear Floor Finish Plate.**
- 27. Install Luggage Compartment Floor Mat.**