



**Technical Service  
Information Bulletin**

April 27, 2004

Title:

# INNER REAR VIEW MIRROR VIBRATION

Models:

'02 – '04 SC 430

NVH  
NV003-04

**Introduction** Some 2002 – 2004 model year SC 430 vehicles may experience a loose or vibrating inner rear view mirror. Attempts to service or reinstall the rear view mirror will deform the setting spring. A service part is now available for the inner rear view mirror setting spring and mounting screw.

- Applicable Vehicles**
- **2002 – 2004** model year **SC 430** vehicles produced **BEFORE** the Production Change Effective VIN shown below.

**Production  
Change  
Information**

| MODEL  | PRODUCTION CHANGE EFFECTIVE VIN |
|--------|---------------------------------|
| SC 430 | JTHFN48Y*40053452               |

**Parts  
Information**

| PREVIOUS PART NUMBER | CURRENT PART NUMBER | PART NAME  | QTY |
|----------------------|---------------------|--|-----|
| N/A                  | 87806-24020         | Spring, Inner Rear View Mirror and Setting Screw | 1   |

**Warranty  
Information**

| OP CODE | DESCRIPTION                                   | TIME | OFF            | T1 | T2 |
|---------|---|------|----------------|----|----|
| NV4001  | Replace Inner Rear View Mirror Setting Spring | 0.4  | 87810-24150-A0 | 62 | 13 |

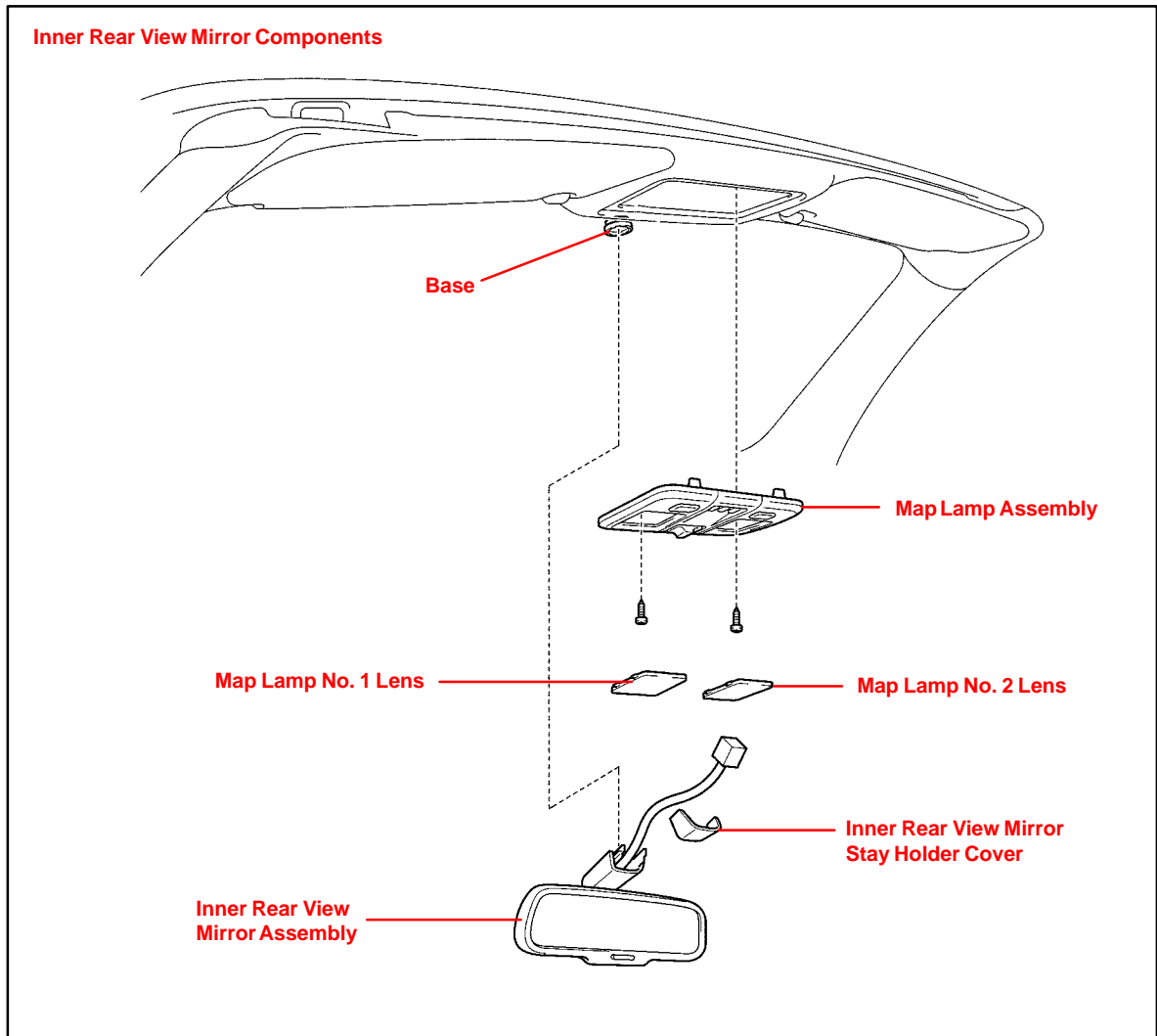
**Applicable Warranty\*:**

This repair is covered under the Lexus Comprehensive Warranty. This warranty is in effect for 48 months or 50,000 miles, whichever occurs first, from the vehicle's in-service date.

\* Warranty application is limited to correction of a problem based upon a customer's specific complaint.



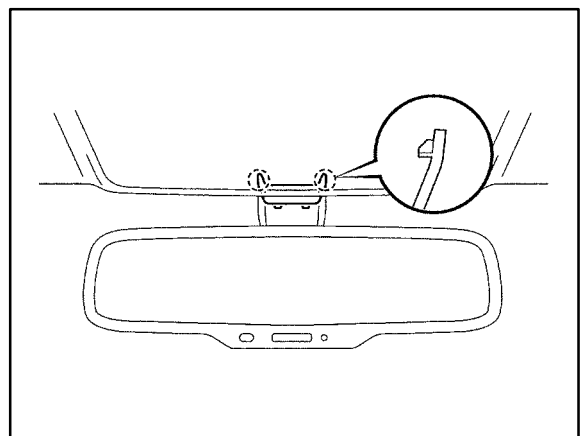
**Components**



**Repair Procedure**

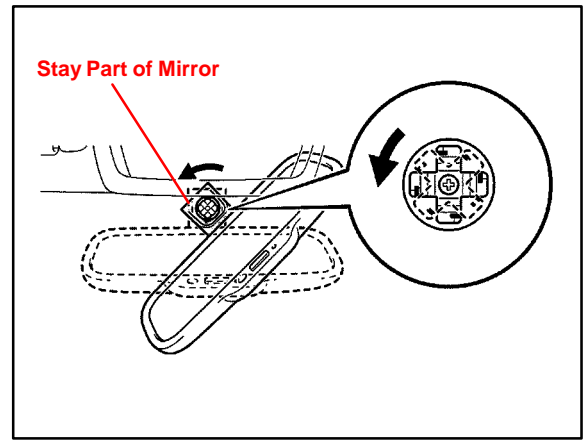
1. Remove Inner Rear View Mirror Stay Holder Cover.
  - A. Using a screwdriver, remove the inner rear view mirror stay holder cover.

**HINT:**  
Tape the screwdriver tip before use.



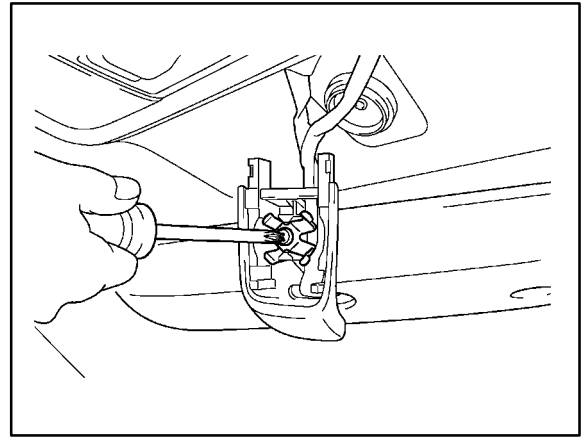
**Repair Procedure**  
(Continued)

2. Remove Inner Rear View Mirror Assembly.
  - A. Remove the mirror assembly by turning the stay part of the mirror counterclockwise.



3. Replace Inner Rear View Mirror Setting Spring.
  - A. Remove the screw, and then remove the inner rear view mirror setting spring.
  - B. Install a new inner rear view mirror setting spring.
  - C. Tighten with the new screw included with the spring.

**Torque: 1.8 to 2.3 N•m**  
(18.4 to 23.5 kgf•cm,  
15.9 to 20.4 in.•lbf )



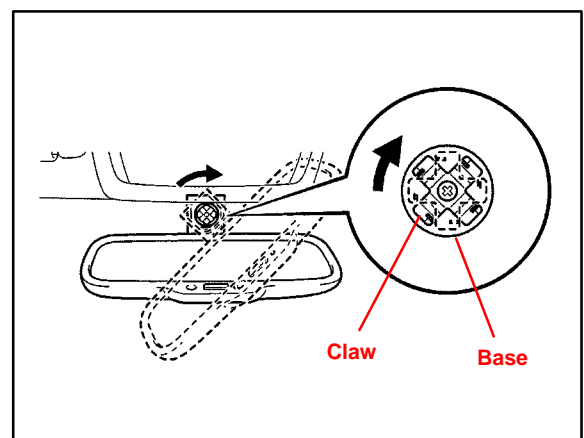
**NOTE:**

Check that the screw is not loose, and that the spring does not rattle while touching by hand.

4. Install Inner Rear View Mirror Assembly.
  - A. Align the claw of the stay part of the mirror with the cut part of the base.
  - B. Turn the stay part of the mirror clockwise so that the stay comes to the original position, and then adjust the mirror assembly.

**NOTE:**

Do not reuse setting springs. Use a new setting spring for each reinstallation.



5. Install Inner Rear View Mirror Stay Holder Cover.