


# Automatic Transmission Serial Number Location

**Service**
**Category** Drivetrain

Automatic Transmission/Transaxle: Unit

**Section** Repair

**Market** USA

 Lexus Supports  
 ASE Certification 
**Applicability**

YEAR(S)	MODEL(S)	ADDITIONAL INFORMATION
2006	ES330	Transmission(s): 5AT
2007 – 2009	ES350	Transmission(s): 6AT
2006	GS300, LS430	Transmission(s): 6AT
2007 – 2009	GS350	Transmission(s): 6AT
2006 – 2007	GS430	Transmission(s): 6AT
2008 – 2009	GS460, IS F	Transmission(s): 8AT
2006 – 2009	GX470	Transmission(s): 5AT
2006 – 2009	IS250, IS350, SC430	
2007 – 2009	LS460	Transmission(s): 8AT
2006 – 2007	LX470	Transmission(s): 5AT
2008 – 2009	LX570	Transmission(s): 6AT
2006	RX330	Transmission(s): 5AT
2007 – 2009	RX350	Transmission(s): 5AT

**TSIB SUPERSESSION NOTICE**

The information contained in this TSIB supersedes TSIB No. TC009-06.

- Applicability has been updated to include 2008 – 2009 model year vehicles.

TSIB No. TC009-06 is Obsolete and any printed versions should be discarded. Be sure to review the entire content of this service bulletin before proceeding.

## Automatic Transmission Serial Number Location

---

### Introduction

The purpose of this TSIB is to assist in the identification and location of serial numbers on 2006 – 2009 model year automatic transmissions.

#### NOTE

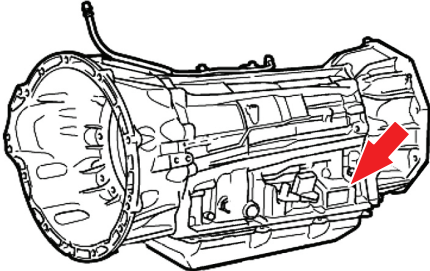
- When writing a Field Technical and/or Product Report, the serial number **MUST** be provided.
- Warranty policy requires shipment of **ALL** replaced transmissions to AWTEC, even if the transmission is replaced with a new service unit.
- Warranty policy requires the Core Return Credit Request (CRCR) form be filled out correctly and returned with the core.
- Per Lexus Warranty Policy & Procedures [“Policy 4.21: OEM and Remanufactured Automatic Transmission Replacement”](#):
  - Whenever a remanufactured or OEM automatic transmission is replaced, the serial number of the failed component must be entered in the “Transmission Serial Number” field, which can be found on the “Additional Information” tab of the warranty claim.
  - If any non-hybrid OE or remanufactured automatic transaxles/transmissions and/or torque converters inadvertently appear on the Scrap Report, or if the Part Recovery Request Screen “Scrap Field” indicates “Y”, **DO NOT SCRAP THESE PARTS**. All OE and remanufactured automatic transaxles/transmissions and torque converters are still required to be shipped to AWTEC for remanufacture.

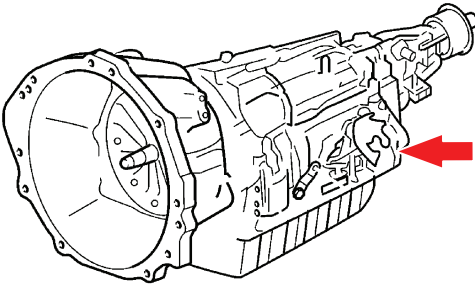
### Warranty Information

OP CODE	DESCRIPTION	TIME	OFP	T1	T2
N/A	Not Applicable to Warranty	–	–	–	–

## Automatic Transmission Serial Number Location

### Repair Procedure

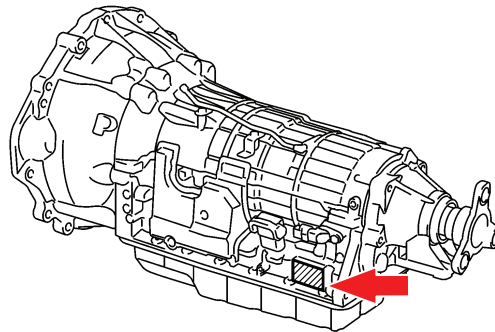
TRANSMISSION MODEL	MODEL	MODEL YEAR	ENGINE	SERIAL NUMBER
AB60F	LX570	2008 – 2009	3UR	<b>Example: 08 B T J 00001</b> <b>08:</b> Year of Manufacture <b>B:</b> Month of Manufacture (A - M, "I" not used) <b>T:</b> Plant code <b>J:</b> Line code (J or K) <b>00001:</b> 5-Digit Serial Number <b>Location:</b> Left Rear Section of the Transmission Case Above the Transmission Pan (as shown below)
				

TRANSMISSION MODEL	MODEL	MODEL YEAR	ENGINE	SERIAL NUMBER
A750E/F	GX470	2006 – 2009	2UZ	<b>Example: 06 A T1 00001</b> <b>06:</b> Year of Manufacture <b>A:</b> Month of Manufacture (A - M, "I" not used) <b>T1/T2:</b> Transmission Model Code (A750*) <b>00001:</b> 5-Digit Serial Number <b>Location:</b> Left Rear on Transmission Case Above Transmission Pan (as shown below)
	LX470	2006 – 2007		
				

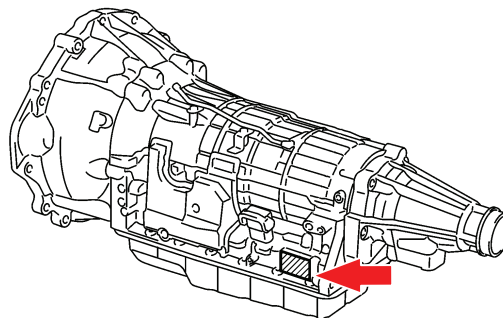
## Automatic Transmission Serial Number Location

### Repair Procedure (Continued)

TRANSMISSION MODEL	MODEL	MODEL YEAR	ENGINE	SERIAL NUMBER
A761E	GS430	2006 – 2007	3UZ	<b>Example: 06 A TA 00001</b> <b>06:</b> Year of Manufacture <b>A:</b> Month of Manufacture (A - M, "I" not used) <b>TA/TF:</b> Transmission Model Code (A761E) <b>00001:</b> 5-Digit Serial Number <b>Location:</b> Left Rear on Transmission Case Above Transmission Pan (as shown below)
	LS430	2006		
	SC430	2006 – 2009		



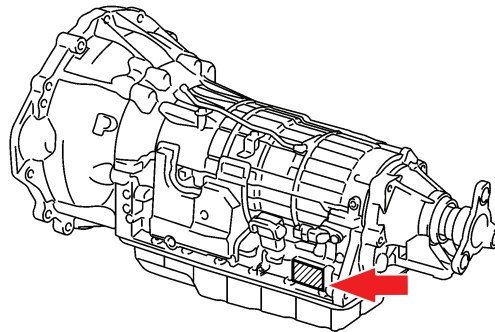
TRANSMISSION MODEL	MODEL	MODEL YEAR	ENGINE	SERIAL NUMBER
A960E	GS300	2006	3GR	<b>Example: 06 A TC 00001</b> <b>06:</b> Year of Manufacture <b>A:</b> Month of Manufacture (A - M, "I" not used) <b>TC:</b> Transmission Model Code (A960E) <b>00001:</b> 5-Digit Serial Number <b>Location:</b> Left Rear on Transmission Case Above Transmission Pan (as shown below)
	IS250	2006 – 2009	4GR	



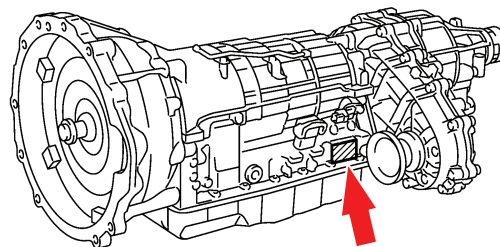
## Automatic Transmission Serial Number Location

### Repair Procedure (Continued)

TRANSMISSION MODEL	MODEL	MODEL YEAR	ENGINE	SERIAL NUMBER
A760E	GS350	2007 – 2009	2GR	<b>Example: 06 A TA 00001</b> <b>06:</b> Year of Manufacture <b>A:</b> Month of Manufacture (A - M, "I" not used) <b>TA/TF:</b> Transmission Model Code (A760E) <b>00001:</b> 5-Digit Serial Number <b>Location:</b> Left Rear on Transmission Case Above Transmission Pan (as shown below)
	IS350	2006 – 2009		



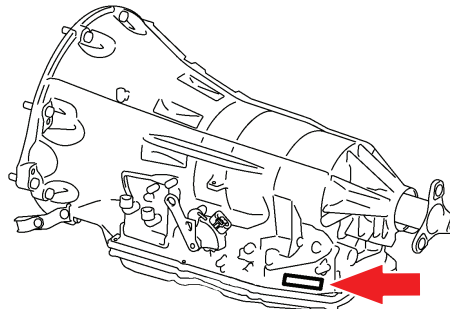
TRANSMISSION MODEL	MODEL	MODEL YEAR	ENGINE	SERIAL NUMBER
A760H	GS300	2006	3GR	<b>Example: 07 A TB 00001</b> <b>07:</b> Year of Manufacture <b>A:</b> Month of Manufacture (A - M, "I" not used) <b>TB:</b> Transmission Model Code (A760H) <b>00001:</b> 5-Digit Serial Number <b>Location:</b> Left Rear on Transmission Case Above Transmission Pan (as shown below)
	GS350	2007 – 2009	2GR	
	IS250	2006 – 2009	4GR	



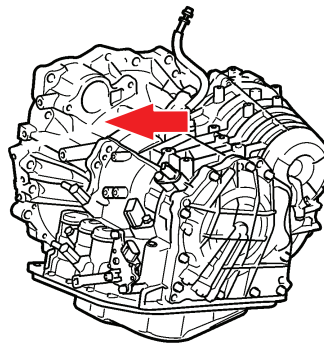
## Automatic Transmission Serial Number Location

### Repair Procedure (Continued)

TRANSMISSION MODEL	MODEL	MODEL YEAR	ENGINE	SERIAL NUMBER
AA80E	GS460	2008 – 2009	1UR	<b>Example: 08 A LA 00001</b> <b>08:</b> Year of Manufacture <b>A:</b> Month of Manufacture (A - M, "I" not used) <b>LA:</b> Transmission Model Code (AA80E) <b>00001:</b> 5-Digit Serial Number <b>Location:</b> Left Rear on Transmission Case Above Transmission Pan (as shown below)
	IS-F		2UR	
	LS460	2007 – 2009	1UR	



TRANSMISSION MODEL	MODEL	MODEL YEAR	ENGINE	SERIAL NUMBER
U151E/F (Japan Built)	ES330	2006	3MZ	<b>07 H D2 00001</b> <b>07:</b> Year of Manufacture <b>H:</b> Month of Manufacture (A - M, "I" not used) <b>D2:</b> Transmission Model Code (U151*) <b>00001:</b> 5-Digit Serial Number <b>Location:</b> Slightly Off Center to the Left on Top of Bell Housing of Transmission (as shown below)
	RX330			
	RX350	2007 – 2009	2GR	



## Automatic Transmission Serial Number Location

### Repair Procedure (Continued)

TRANSMISSION MODEL	MODEL	MODEL YEAR	ENGINE	SERIAL NUMBER
U151E/F (TMMWV Built)	RX330	2006	3MZ	<b>Example: 5 7 01 00001</b> 5: Plant (TMMWV) 7: Year of Manufacture 01: Month of Manufacture (January) 00001: 5-Digit Serial Number <b>Location:</b> Slightly Off Center to the Left on Top of Bell Housing of Transmission (as shown below)
	RX350	2007 – 2009	2GR	

TRANSMISSION MODEL	MODEL	MODEL YEAR	ENGINE	SERIAL NUMBER
U660#	ES350	2007 – 2009	2GR	<b>Example: 2A 07 C 1 00001</b> 2: Plant ID A: Unit ID (U660E) 07: Year of Manufacture C: Month of Manufacture (A - M, "I" not used) 1: Plant Line Number 00001: 5-Digit Serial Number <b>Location:</b> Top of Bell Housing Towards Front of Transmission - Serial Number will be Stamped in Transmission Case (as shown below)