



**Technical Service
Information Bulletin**

March 6, 2007

Title:

DRIVESHAFT ASSEMBLY REPLACEMENT

Models:

'90 – '07 Lexus

TRANSMISSION & CLUTCH
TC002-07

Introduction The purpose of this bulletin is to provide information regarding anti-corrosion grease that is present on replacement driveshaft assemblies. It is important to remove this grease prior to installing the hub nut to prevent overtightening. This also applies when reusing an old driveshaft that may have come into contact with oil or foreign matter.

Applicable Vehicles

- 1990 – 2007 model year **Lexus** vehicles.

**Required
Tools &
Material**

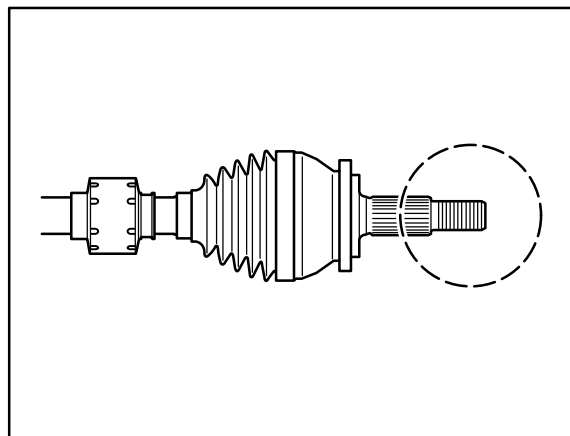
TOOLS & MATERIAL	PART NUMBER	QUANTITY
Toyota Brake Cleaner or Equivalent Non-Residue Solvent	00289-2BC00	As Needed

**Repair
Procedure**

Clean the threaded area of the driveshaft with Toyota Brake Cleaner (or equivalent) to remove the anti-corrosion grease, oil, or foreign matter before installing the driveshaft into the vehicle.

NOTE:

A new axle hub nut may be required when installing the driveshaft. Check the Repair Manual procedure for more information.



**Warranty
Information**

OP CODE	DESCRIPTION	TIME	OFF	T1	T2
N/A	Not Applicable to Warranty	–	–	–	–

