

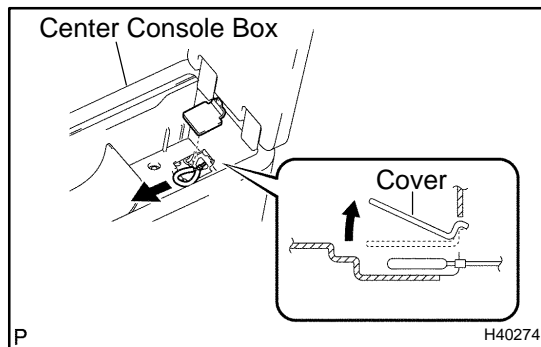
MANUAL OPERATING

MANUAL OPEN OPERATION

74018-03

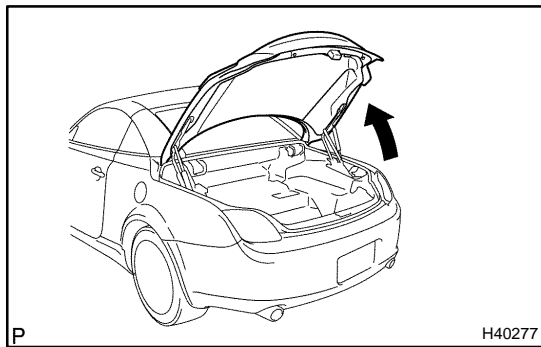
NOTICE:

- When operating the roof manually, make sure that the audio system is turned OFF and the radio antenna is retracted.
- Perform these roof procedures with at least 2 people.



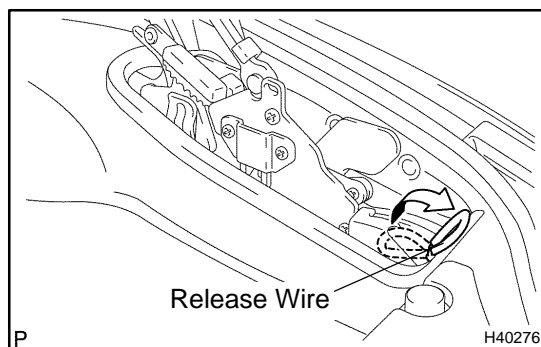
1. RELEASE LUGGAGE DOOR

- Open the cover of the center console box and fold back the mat.
- Remove the cover.
- Pull the luggage door release wire to unlock the luggage door.



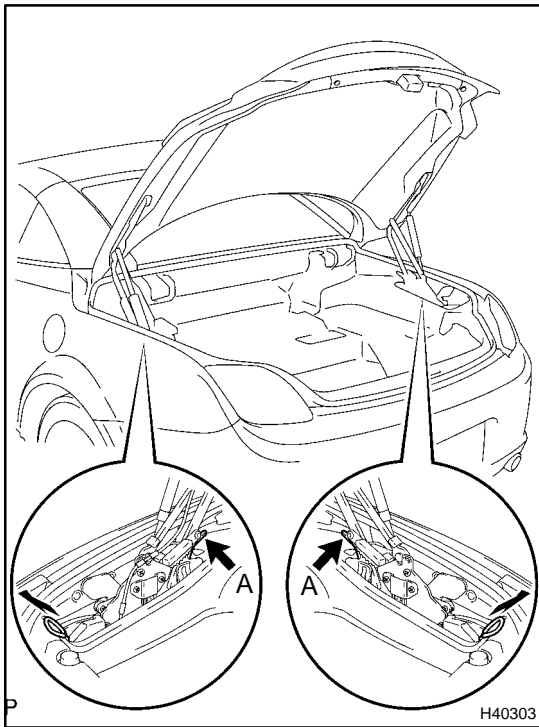
2. FULLY OPEN LUGGAGE COMPARTMENT DOOR

- Fully open the door.



3. OPEN LUGGAGE COMPARTMENT DOOR FROM FRONT SIDE

- Pull out the luggage front lock release wire.



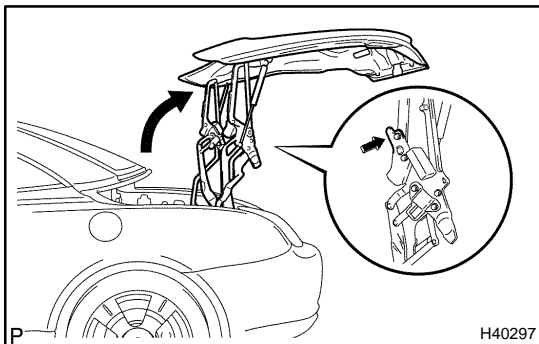
- (b) While pulling the wire, slowly raise the luggage link part labeled A.

NOTICE:

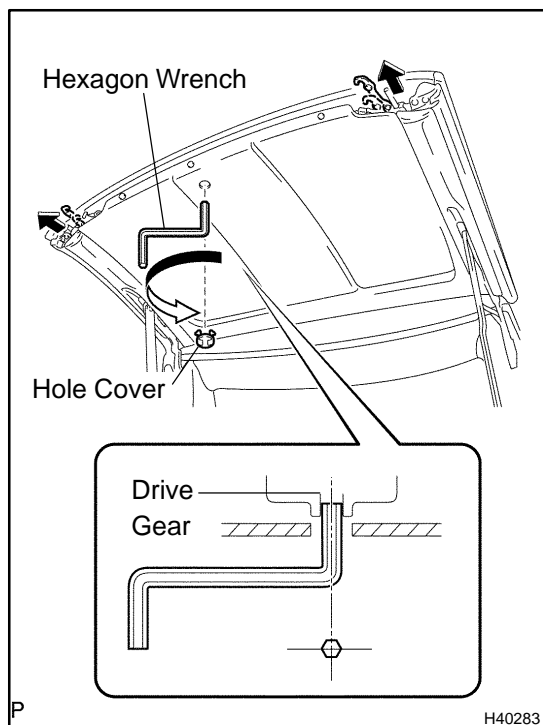
- A large amount of force is required to raise the luggage link.
- To prevent part deformation, only apply force to the luggage link part labeled A.
- Equally raise the right and left sides of the luggage link.

HINT:

The luggage link part labeled A is green.



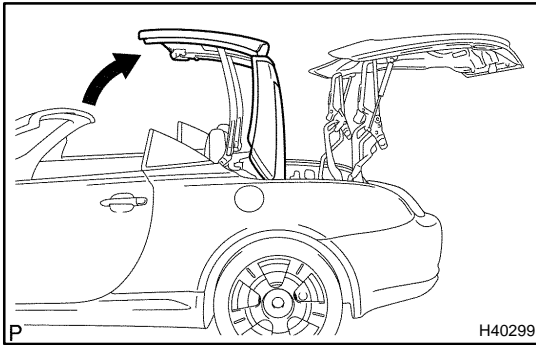
- (c) Open the luggage compartment door from the front side as shown in the illustration.

**4. RELEASE REMOVABLE ROOF LOCK**

- (a) Remove the service hole cover from the roof headlining.
 (b) Insert the hexagon wrench tip into the drive gear shaft. Turn the hexagon wrench counterclockwise (as viewed from under the roof) to unlock the roof lock.

NOTICE:

Turn the hexagon wrench as much as possible, but do not apply excessive force.

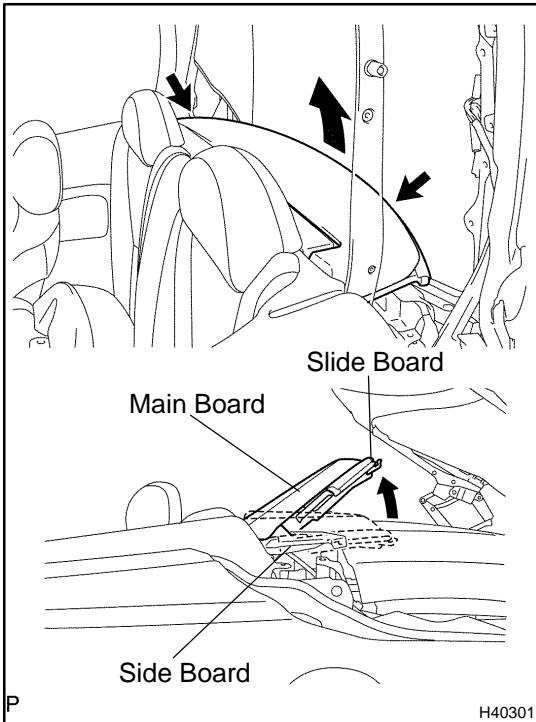


5. HALF OPEN ROOF PANEL

- (a) Slowly raise the roof panel until the back window stands upright.

NOTICE:

Equally raise the right and left sides of the roof panel.



6. RAISE PACKAGE TRAY TRIM

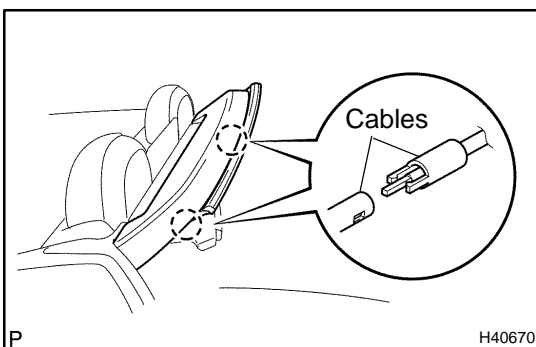
- (a) Place both hands under the rear part of the package tray in positions close to both ends. Raise the package tray trim gradually to 30° to 45°.

CAUTION:

Do not place your hands on the edges of the main board.

NOTICE:

Do not apply direct force to the side board as it is operated in connection with the main board.



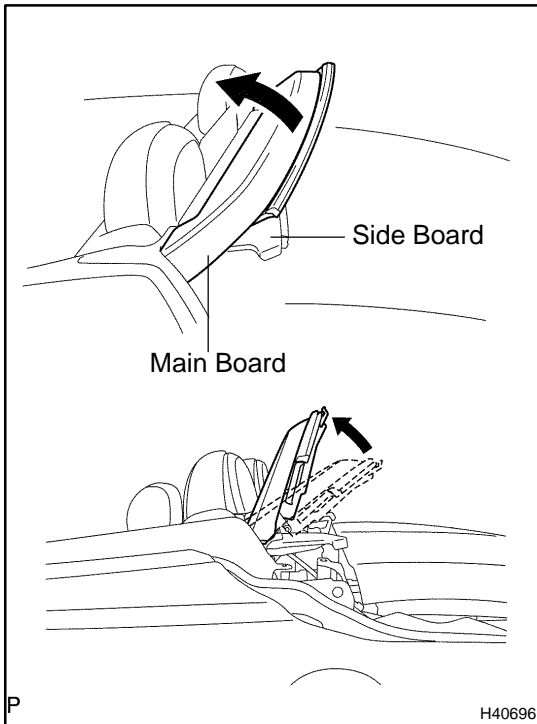
- (b) Disconnect the joints of the cables from the package tray trim gear box.

CAUTION:

Take care not to injure your hands when disconnecting the joints.

NOTICE:

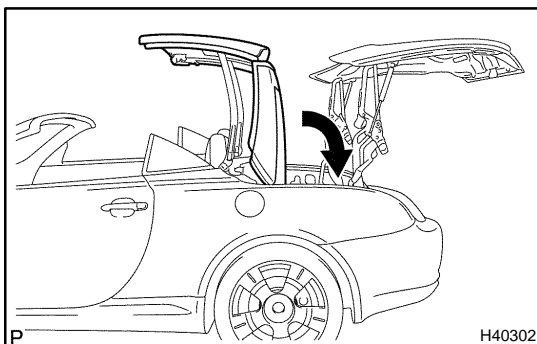
- As the cable is coated with grease, prevent it from contacting the seat, seat belt or other parts.
- Make sure the removed cable is not pressed against the package tray trim gear box.



(c) Raise the package tray trim gradually until it stops.

NOTICE:

Do not apply direct force to the side board as it is operated in connection with the main board.

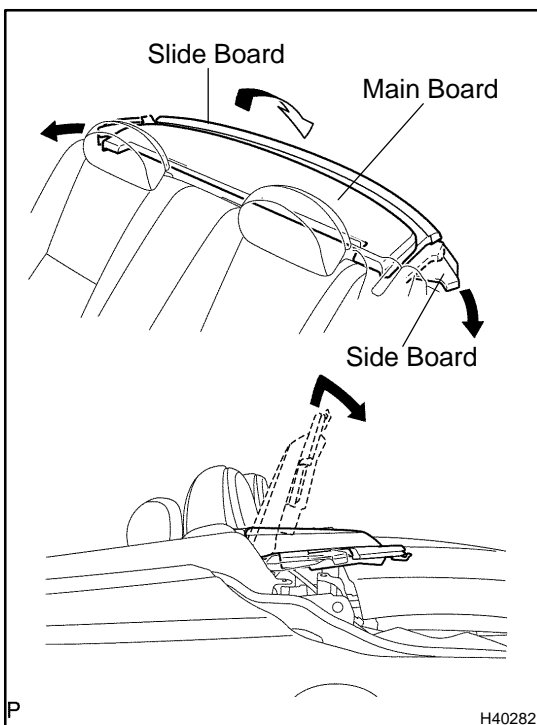


7. FULLY CLOSE ROOF PANEL

(a) Gradually move the roof panel into the luggage room.

NOTICE:

- Equally lower the right and left sides of the roof panel.
- Hold the roof panel and back door window securely, as damage may occur if it falls into the luggage room by its own weight.



8. FOLD DOWN PACKAGE TRAY TRIM

(a) Place both hands on the slide board in positions close to both ends. Pull it up and fold down the package tray trim.

CAUTION:

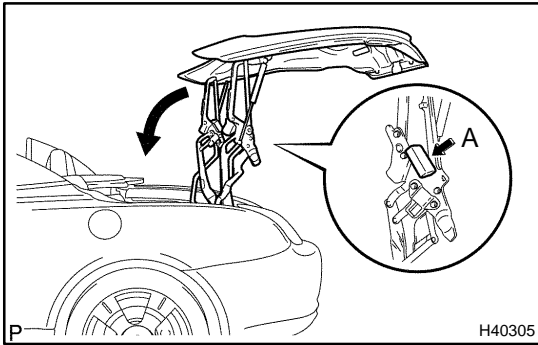
Do not place your hands on the edges of the main board.

NOTICE:

- Equally move the right and left sides of the slide board.
- Do not apply direct force to the side board as it is operated in connection with the main board.
- Do not touch the side board.

HINT:

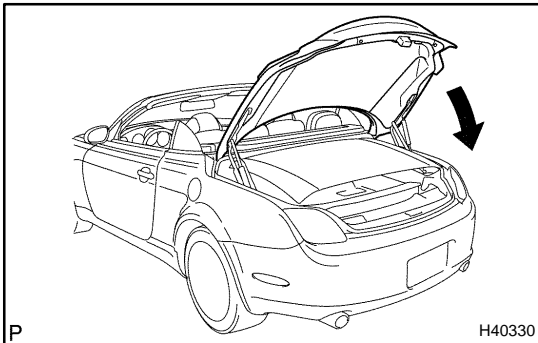
If the slide board is raised to the uppermost position, pull it up and slowly fold down the package tray trim. At this time, the slide board and side board come out.



- 9. CLOSE LUGGAGE COMPARTMENT DOOR FRONT**
- (a) Place your hands on the luggage link part labeled A and slowly apply force downward to lower the luggage link.
 - (b) After moving the luggage link to the lowermost position, firmly press down on it again.

NOTICE:

- Equally lower the right and left sides of the luggage link.
- A large amount of force is required to initially move the luggage link.

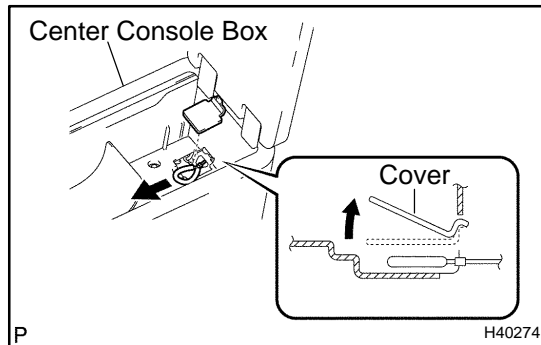


- 10. CLOSE LUGGAGE COMPARTMENT DOOR REAR**
- (a) Close the door.

MANUAL CLOSE OPERATION

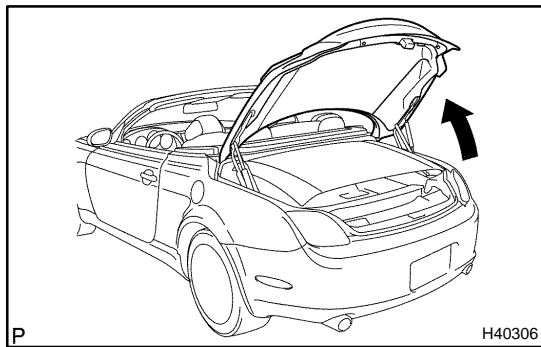
NOTICE:

- When operating the roof panel manually, make sure that the audio system is turned OFF and the radio antenna is retracted.
- Perform these roof procedures with at least 2 people.



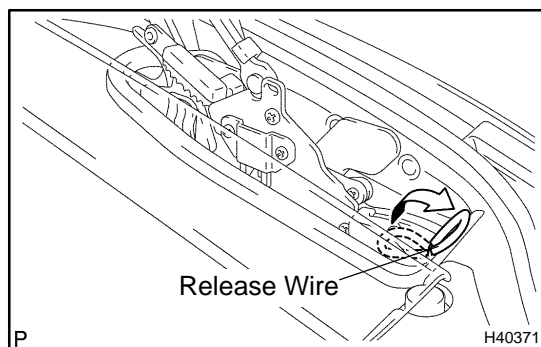
1. RELEASE LUGGAGE DOOR LOCK

- Open the cover of the center console box and turn fold back the mat.
- Remove the cover.
- Pull the luggage door lock release wire to unlock the luggage door.



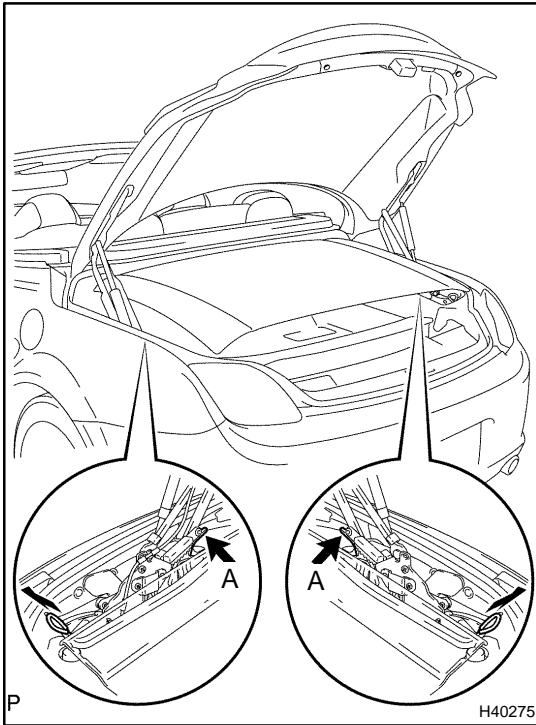
2. FULLY OPEN LUGGAGE COMPARTMENT DOOR

- Fully open the door.



3. OPEN LUGGAGE COMPARTMENT DOOR FROM FRONT SIDE

- Pull out the luggage front lock release wire.



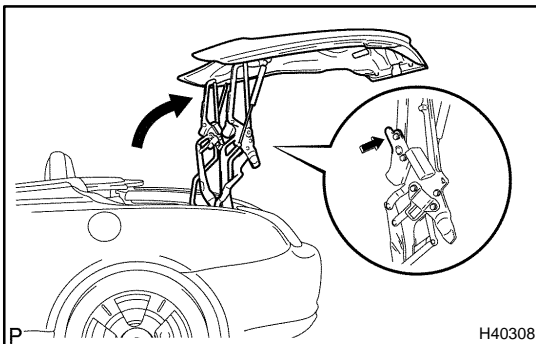
- (b) While pulling the wire, slowly raise the luggage link part labeled A.

NOTICE:

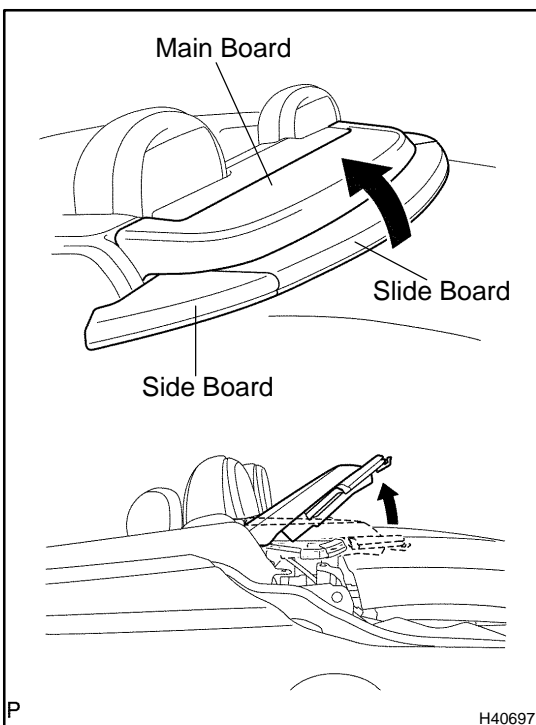
- A large amount of force is required to raise the luggage link.
- To prevent part deformation, only apply force to the luggage link part labeled A.
- Equally raise the right and left sides of the luggage link.

HINT:

The luggage link part labeled A is green.



- (c) Open the luggage compartment door from the front side as shown in the illustration.

**4. RAISE PACKAGE TRAY TRIM**

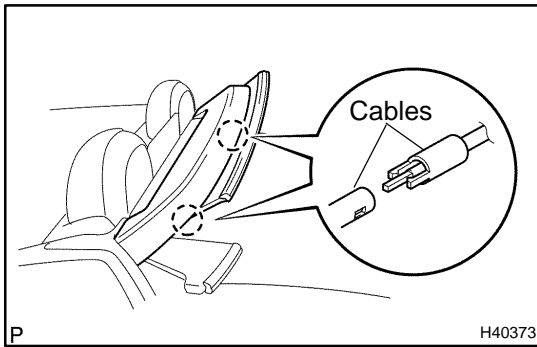
- (a) Place both hands under the rear part of the package tray in positions close to both ends. Raise the package tray trim gradually to 30° to 45°.

CAUTION:

Do not place your hands on the edges of the main board.

NOTICE:

Do not apply direct force to the side board as it is operated in connection with the main board.



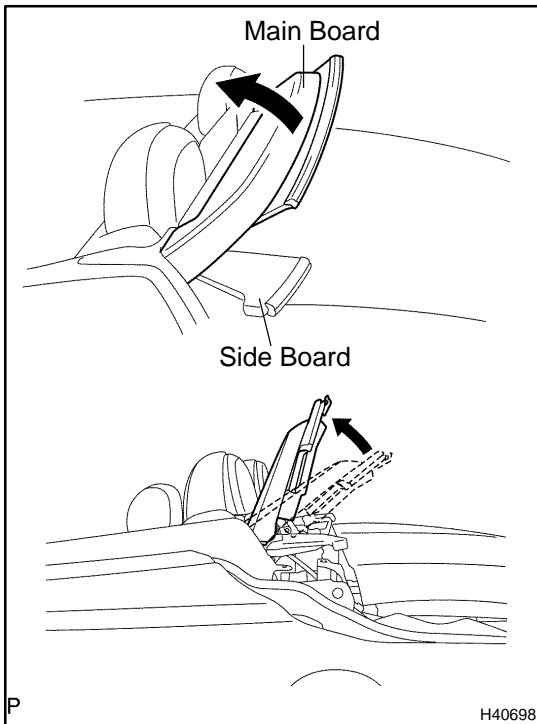
- (b) Disconnect the joints of the cables from the package tray trim gear box.

CAUTION:

Take care not to injure your hands when disconnecting the joints.

NOTICE:

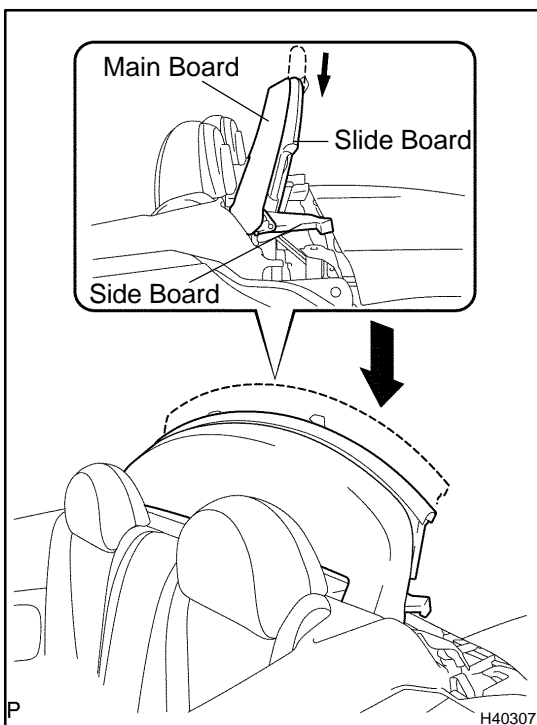
- As the cable is coated with grease, prevent it from contacting the seat, seat belt or other parts.
- Make sure the removed cable is not pressed against the package tray trim gear box.



- (c) Raise the package tray trim gradually until it stops.

NOTICE:

Do not apply direct force to the side board as it is operated in connection with the main board.



- (d) Place both your hands on the slide board in positions close to both ends.

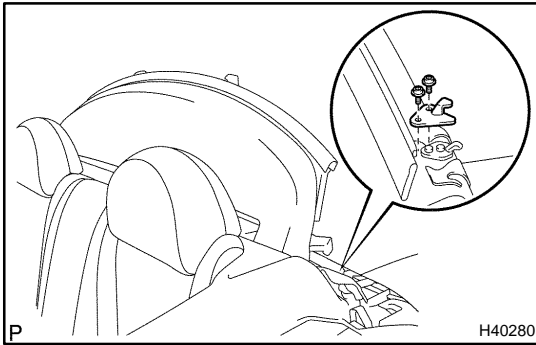
NOTICE:

Do not touch the side board.

- (e) Push down the slide board until the slide board is the same height as the main board.

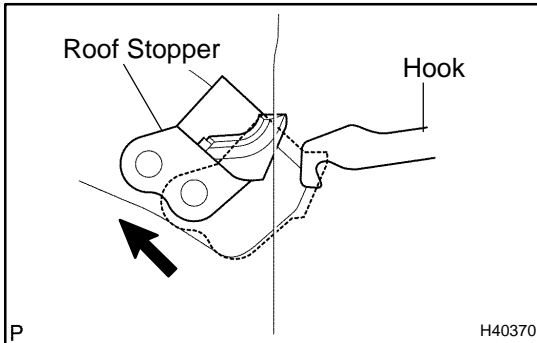
HINT:

When the slide board is lowered, the side board will automatically retract.



5. REMOVE ROOF STOPPER

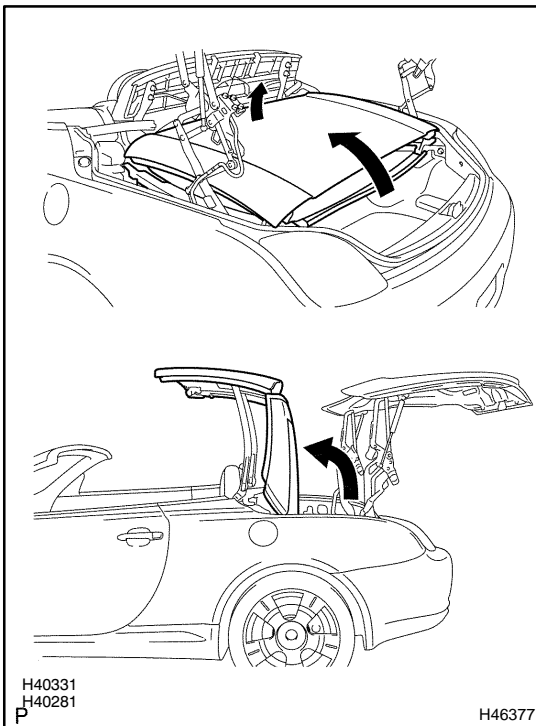
- (a) Using a hexagon wrench, remove the 2 bolts.



- (b) Slide the roof stopper and take it off from the hook.

HINT:

Use the same procedures described for the other side.



6. HALF CLOSE ROOF PANEL

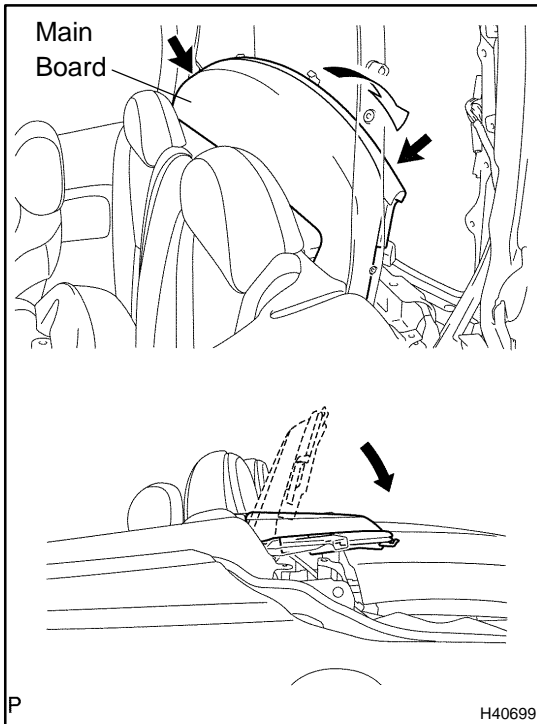
- (a) Gradually raise the roof panel with your hands until the back window stands upright. While performing this procedure, raise the front side of the roof slightly.

HINT:

Place your hands at the lower part of the roof.

NOTICE:

Equally raise the right and left sides of the roof panel.

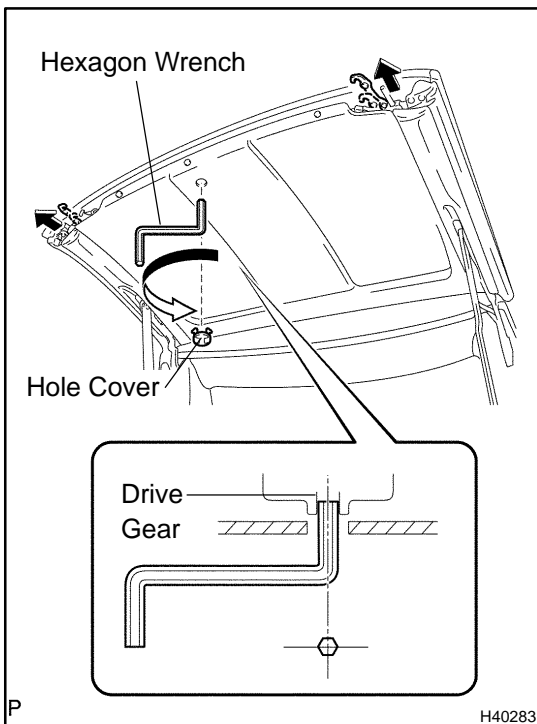


7. FOLD DOWN PACKAGE TRAY TRIM

- (a) Slowly fold down the package tray trim.

CAUTION:

Do not place your hands on the edges of the main board.

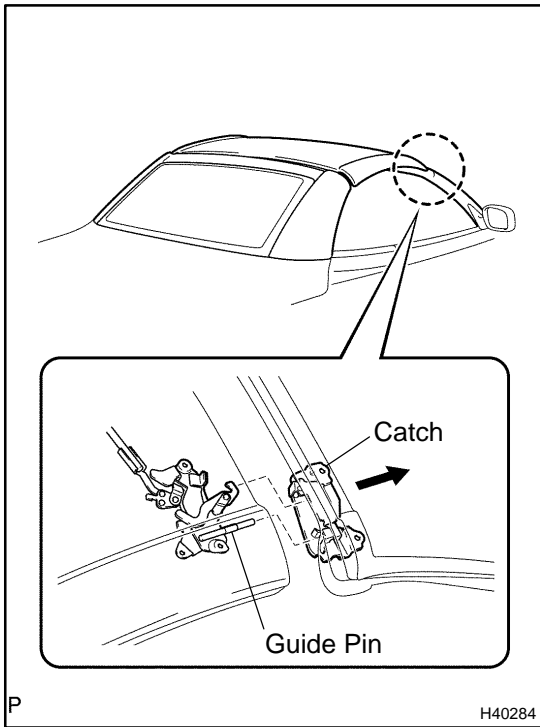


8. RELEASE REMOVABLE ROOF LOCK

- (a) Remove the service hole cover from the roof headlining.
- (b) Insert the hexagon wrench tip into the drive gear shaft. Turn the hexagon wrench counterclockwise (as viewed from under the roof) to unlock the roof lock.

NOTICE:

Turn the hexagon wrench as much as possible, but do not apply excessive force.



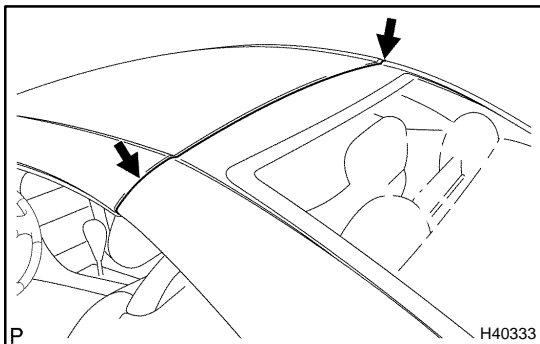
9. FULLY CLOSE ROOF PANEL

- (a) Place your hands on the roof panel and back window. Slowly close the roof panel.

NOTICE:

Equally lower the right and left sides of the roof panel.

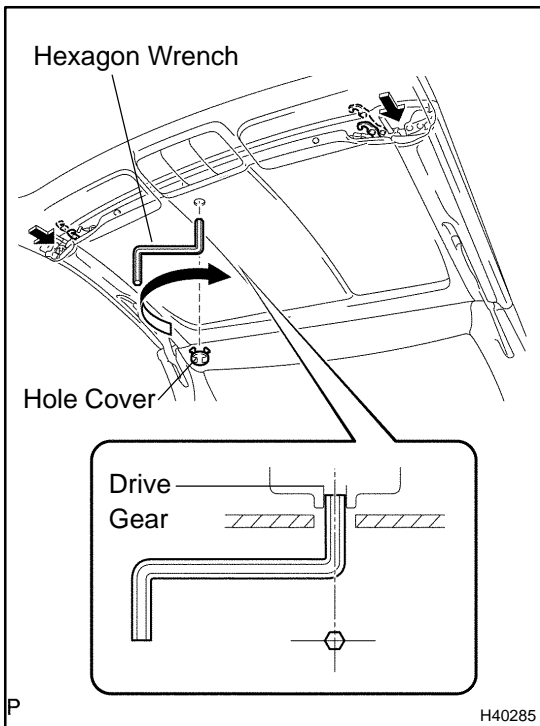
- (b) Check that the guide pin on the edge of the roof panel is aligned with the catch on the pillar.



- (c) Firmly push downward the roof panel and back window near the parting line.

NOTICE:

Push down equally on the right and left sides of the roof panel/back window.

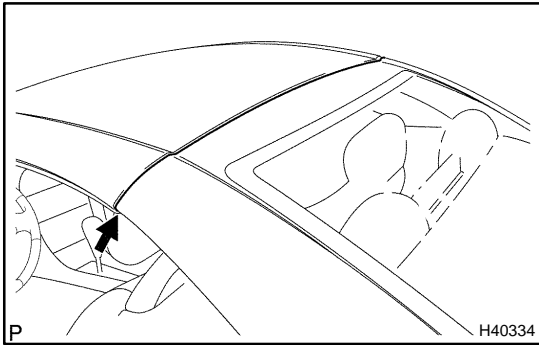


10. LOCK REMOVABLE ROOF LOCK

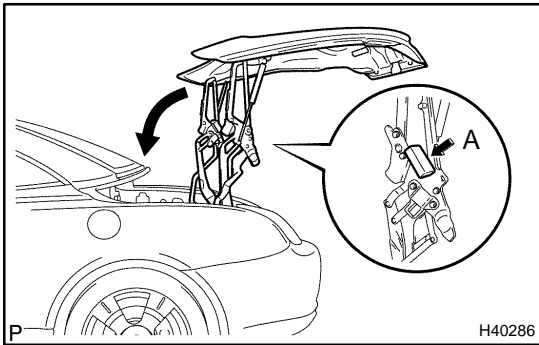
- (a) Insert the hexagon wrench tip into the driver gear shaft in the roof headlining. Turn the roof lock clockwise (as viewed from under the roof) to lock the roof lock.

NOTICE:

Turn the hexagon wrench as much as possible, but do not apply excessive force.



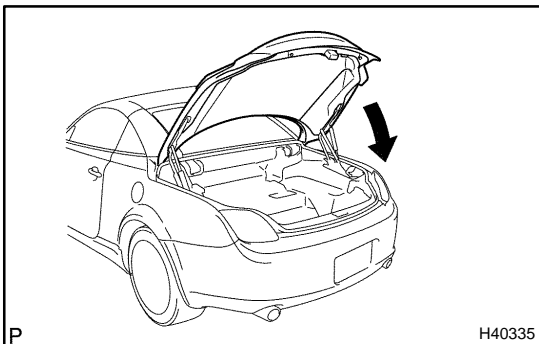
- (b) Check that the roof panel and back window are locked by pushing upward near the parting line.



- 11. CLOSE LUGGAGE COMPARTMENT DOOR FRONT**
 - (a) Place your hands on the luggage link part labeled A and slowly apply force downward to lower the luggage link.
 - (b) After moving the luggage link to the lowermost position, firmly press down on it again.

NOTICE:

- Equally lower the right and left sides of the luggage link.
- A large amount of force is required to initially move the luggage link.



12. CLOSE LUGGAGE COMPARTMENT DOOR REAR

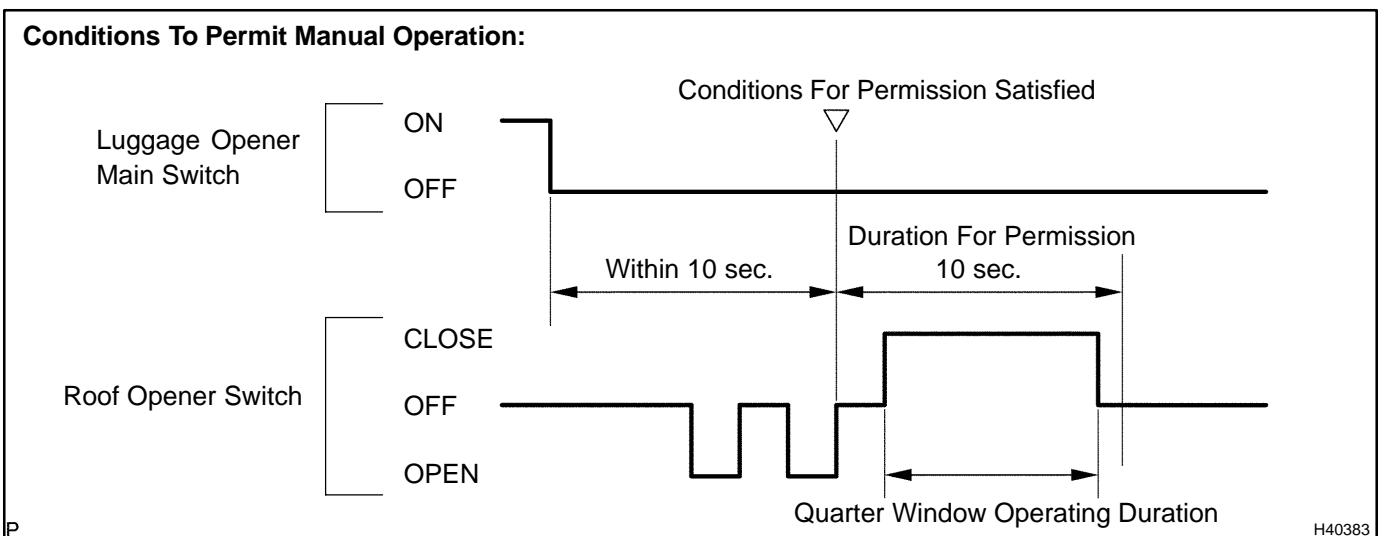
- (a) Close the door.

13. CLOSE QUARTER WINDOW

- (a) Turn the ignition switch ON.
- (b) Turn the luggage opener main switch from ON to OFF.
- (c) Within 10 seconds after step (b), push the roof opener switch on the OPEN side twice.
- (d) Within 10 seconds after step (c), push and hold the roof opener switch on the CLOSE side until the quarter window are closed.

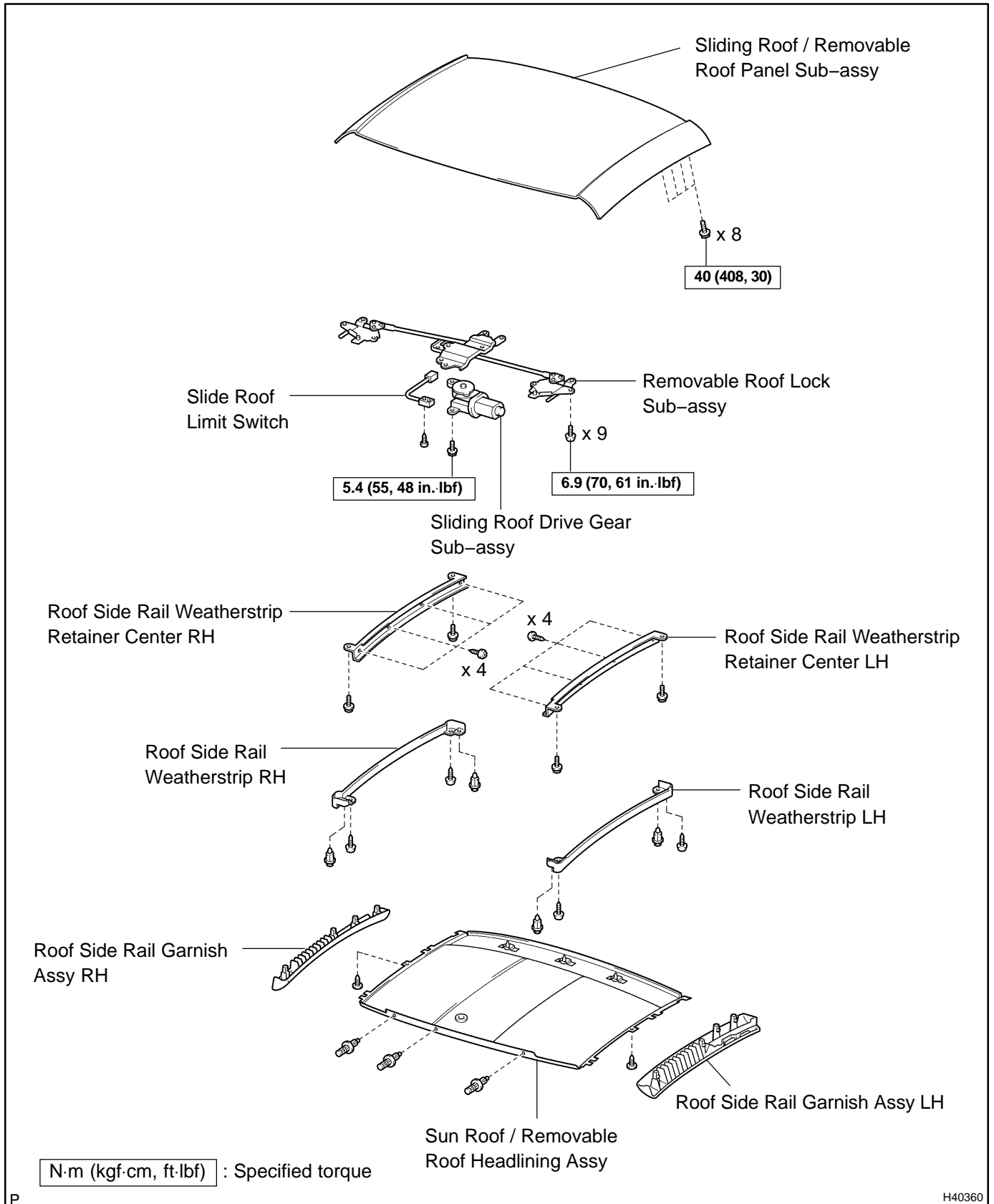
NOTICE:

If step (d) is not performed correctly, perform procedures from step (b) again.



SLIDING ROOF OR REMOVABLE ROOF PANEL SUB-ASSY COMPONENTS

74014-02



OVERHAUL

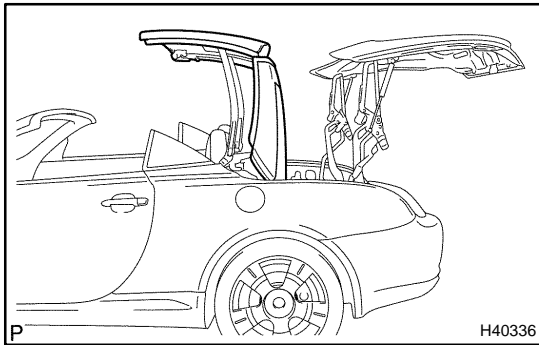
HINT:

- Use the same procedures for the RH side and LH side.
- The procedures listed below are for the LH side.
- A bolt without a torque specification is shown in the standard bolt chart (see page 03-2).

1. DISCONNECT CABLE FROM NEGATIVE BATTERY TERMINAL

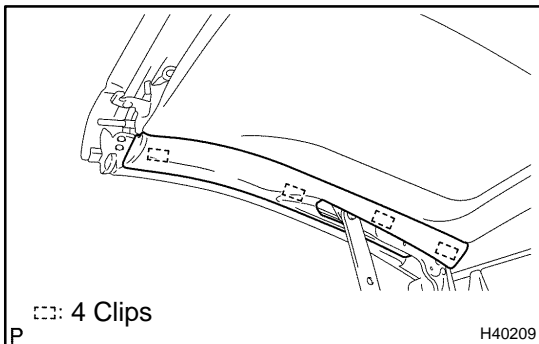
CAUTION:

Wait at least 90 seconds after disconnecting the cable from the negative (-) battery terminal to prevent airbag and seat belt pretensioner activation.



2. HALF OPEN ROOF PANEL

- (a) Refer to the MANUAL OPERATING procedures and half open the roof.



3. REMOVE ROOF SIDE RAIL GARNISH ASSY RH

- (a) Using a screwdriver, detach the 4 clips and remove the garnish.

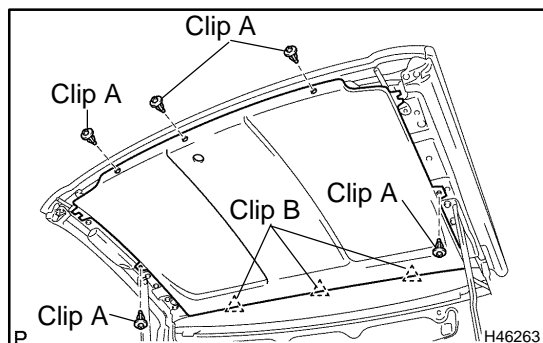
HINT:

Tape the screwdriver tip before use.

4. REMOVE ROOF SIDE RAIL GARNISH ASSY LH

HINT:

Use the same procedures described for the RH side.



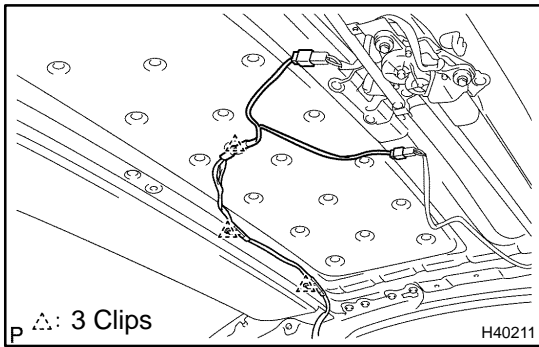
5. REMOVE SUN ROOF OR REMOVABLE ROOF HEADLINING ASSY

- (a) Using a screwdriver, remove the 5 clips labeled A.

HINT:

Tape the screwdriver tip before use.

- (b) Using a clip remover, detach the 3 clips labeled B, and remove the roof headlining.

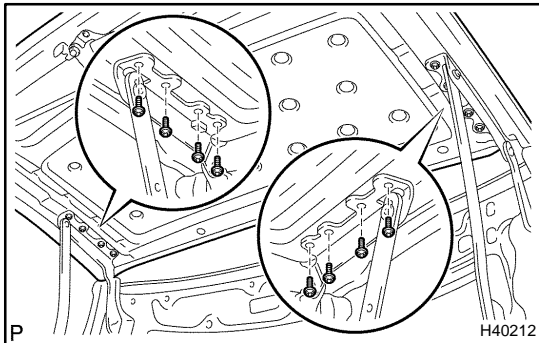


6. REMOVE SLIDING ROOF OR REMOVABLE ROOF PANEL SUB-ASSY

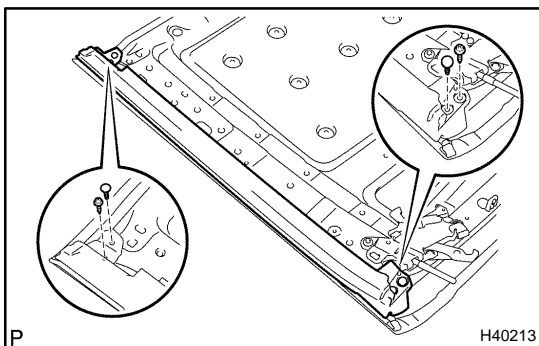
- (a) Disconnect the limit switch connector and drive gear connector.
- (b) Using a clip remover or screwdriver, detach the wire harness clamps.

HINT:

Tape the screwdriver tip before use.



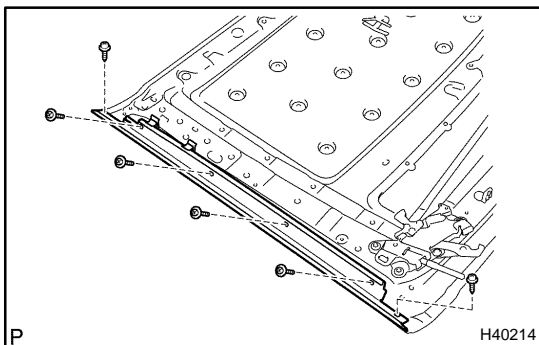
- (c) Using a T40 torx[®] socket, remove the 8 screws.
- (d) Remove the sliding roof / removable roof panel.



7. REMOVE ROOF SIDE RAIL WEATHERSTRIP RH

- (a) Using a clip remover, remove the 2 screws and 2 clips.
- (b) Remove the weatherstrip.

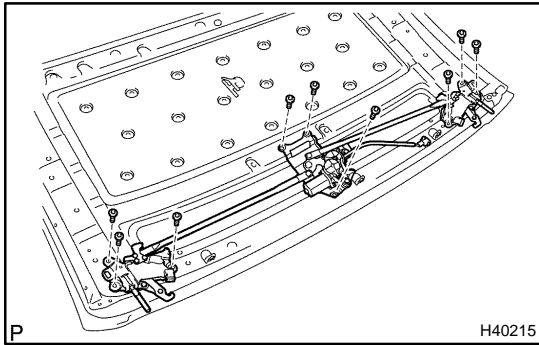
8. REMOVE ROOF SIDE RAIL WEATHERSTRIP LH



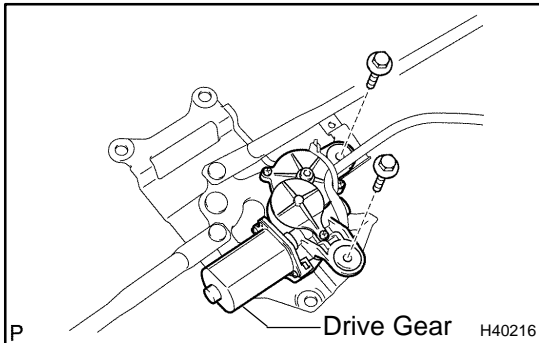
9. REMOVE ROOF SIDE RAIL WEATHERSTRIP RETAINER CENTER RH

- (a) Remove the 6 screws and weatherstrip retainer.

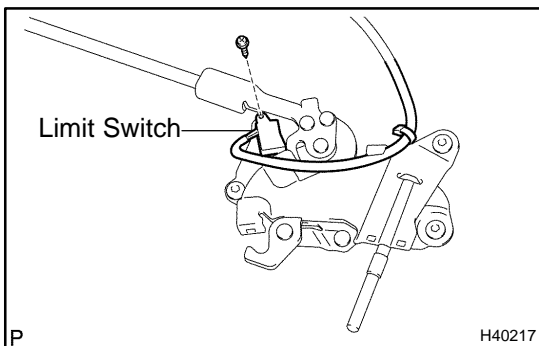
10. REMOVE ROOF SIDE RAIL WEATHERSTRIP RETAINER CENTER LH

**11. REMOVE REMOVABLE ROOF LOCK SUB-ASSY**

- (a) Using a T40 torx[®] socket, remove the 9 screws.
- (b) Remove the removable roof lock.

**12. REMOVE SLIDING ROOF DRIVE GEAR SUB-ASSY**

- (a) Remove the 2 bolts.
- (b) Remove the drive gear from the removable roof lock.

**13. REMOVE SLIDE ROOF LIMIT SWITCH**

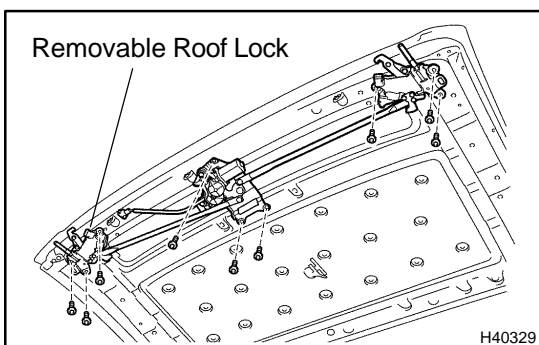
- (a) Remove the screw.
- (b) Remove the limit switch from the removable roof lock.

14. INSTALL SLIDE ROOF LIMIT SWITCH**15. INSTALL SLIDING ROOF DRIVE GEAR SUB-ASSY**

Torque: 5.4 N·m (55 kgf·cm, 48 in·lbf)

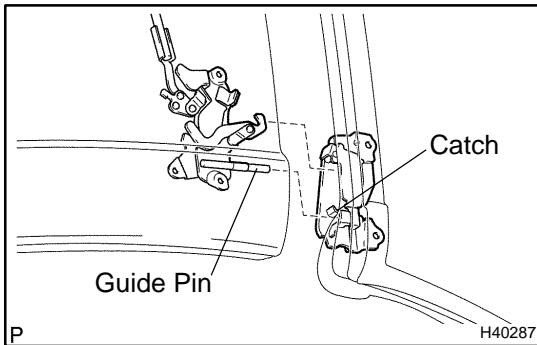
16. INSTALL ROOF SIDE RAIL WEATHERSTRIP RETAINER CENTER LH**17. INSTALL ROOF SIDE RAIL WEATHERSTRIP RETAINER CENTER RH****18. INSTALL ROOF SIDE RAIL WEATHERSTRIP LH****19. INSTALL ROOF SIDE RAIL WEATHERSTRIP RH****20. INSTALL SLIDING ROOF OR REMOVABLE ROOF PANEL SUB-ASSY**

Torque: 40 N·m (408 kgf·cm, 30 ft·lbf)

**21. INSTALL REMOVABLE ROOF LOCK SUB-ASSY**

- (a) Temporarily install the 9 screws to install the removable roof lock.
- (b) Tighten the 6 screws of the 2 locks.

Torque: 6.9 N·m (70 kgf·cm, 61 in·lbf)



(c) Fully close the roof.

HINT:

Check that the guide pin on the edge of the roof panel is aligned with the catch on the pillar.

(d) Set the switch of the roof to the lock position.

(1) Insert the tip of the wrench to the driver gear shaft.

(2) Turn the wrench counterclockwise (viewing from the under the roof) to unlock the roof lock.

NOTICE:

Turn the hexagon wrench as much as possible, but do not apply excessive force.

(e) Tighten the remaining 3 screws from step (a).

Torque: 6.9 N·m (70 kgf·cm, 61 in.-lbf)

(f) Release the lock to return it to the half open condition.

22. **INSTALL SUN ROOF OR REMOVABLE ROOF HEADLINING ASSY**

23. **INSTALL ROOF SIDE RAIL GARNISH ASSY LH**

24. **INSTALL ROOF SIDE RAIL GARNISH ASSY RH**

25. **CONNECT CABLE TO NEGATIVE BATTERY TERMINAL**

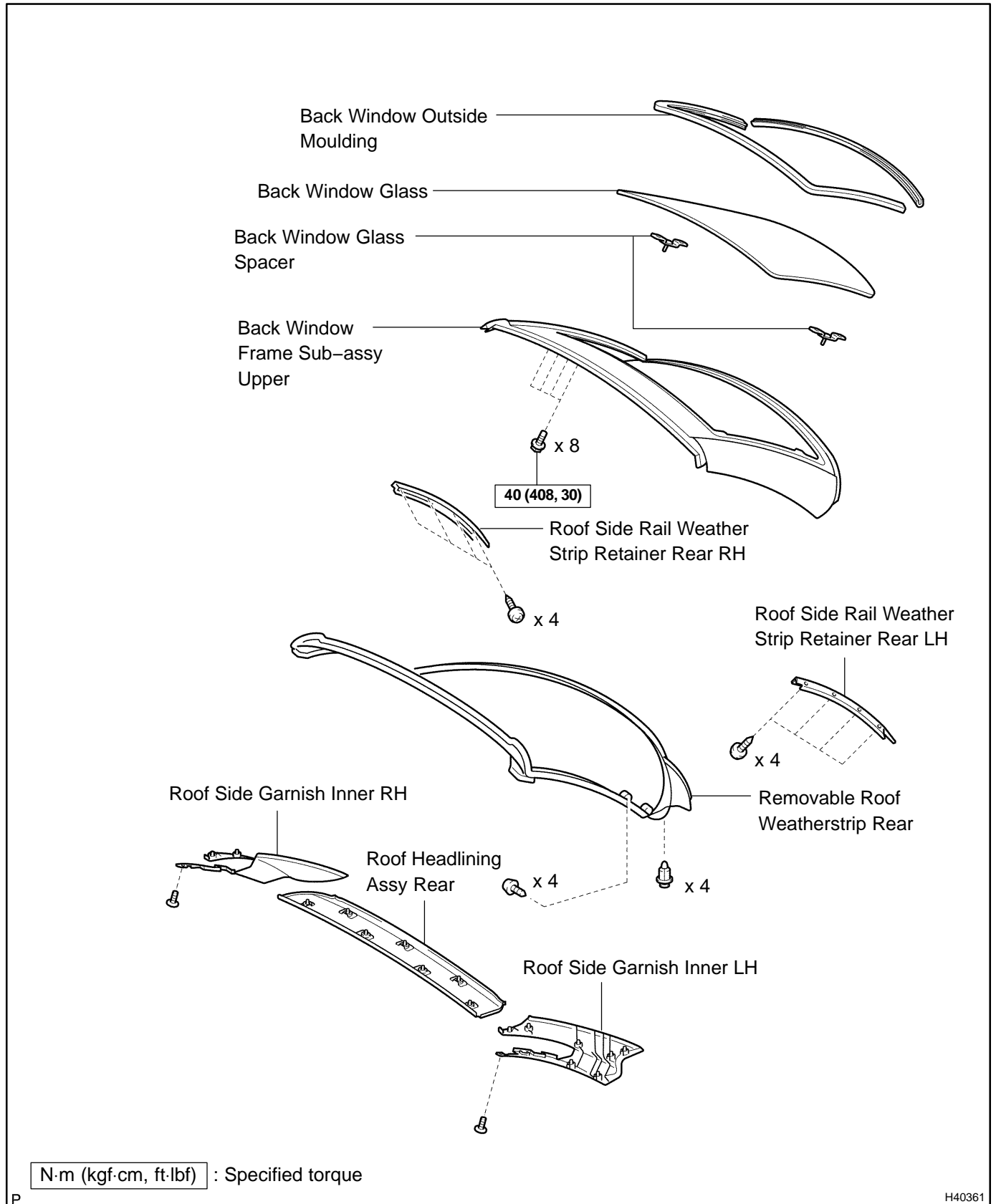
26. **PERFORM INITIALIZATION (See page 01-17)**

NOTICE:

Certain systems need to be initialized after disconnecting and reconnecting the cable from the negative (-) battery terminal.

BACK WINDOW FRAME SUB-ASSY UPPER COMPONENTS

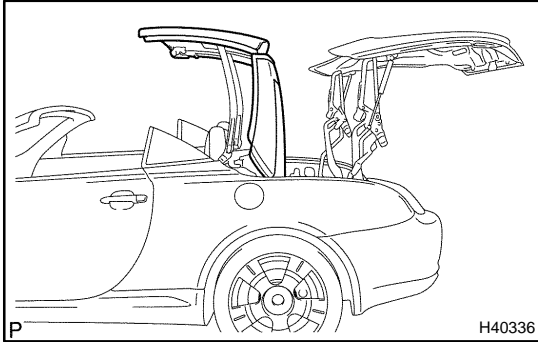
74016-02



OVERHAUL

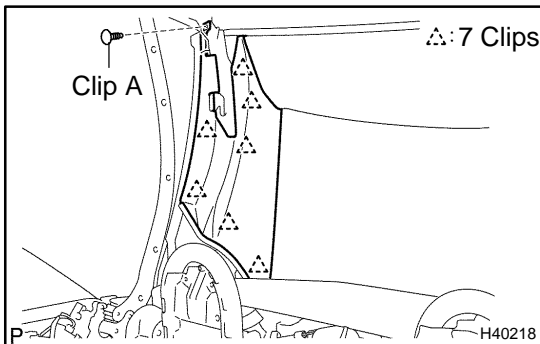
HINT:

A bolt without a torque specification is shown in the standard bolt chart (see page 03-2).



1. HALF OPEN ROOF PANEL

- (a) Refer to the MANUAL OPERATING procedures and half open the roof.



2. REMOVE ROOF SIDE GARNISH INNER RH

- (a) Using a clip remover, remove the clip A.
- (b) Using a screwdriver, detach the 7 clips.

HINT:

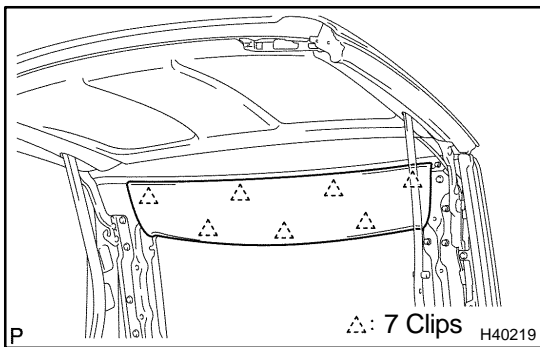
Tape the screwdriver tip before use.

- (c) Remove the side garnish.

3. REMOVE ROOF SIDE GARNISH INNER LH

HINT:

Use the same procedures described for the RH side.



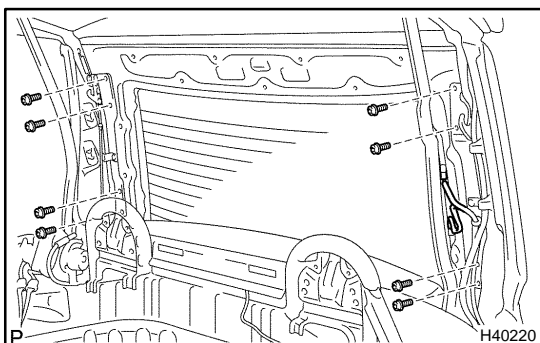
4. REMOVE ROOF HEADLINING ASSY REAR

- (a) Using a screwdriver, detach the 7 clips.

HINT:

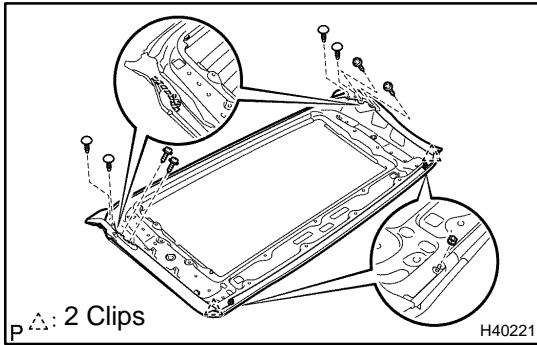
Tape the screwdriver tip before use.

- (b) Remove the roof headlining.



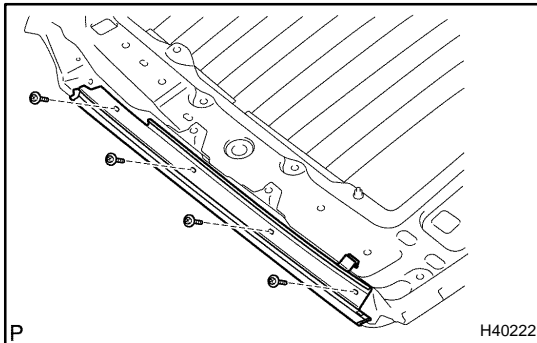
5. REMOVE BACK WINDOW FRAME SUB-ASSY UPPER

- (a) Using a T40 torx[®] socket, remove the 8 screws.
- (b) Remove the back window frame.



6. REMOVE REMOVABLE ROOF WEATHERSTRIP REAR

- (a) Remove the 4 screws, 2 nuts and 4 clips.
- (b) Using a clip remover, detach the clips.
- (c) Remove the removable roof weatherstrip rear.



7. REMOVE ROOF SIDE RAIL WEATHERSTRIP RETAINER RH

- (a) Remove the 4 screws and weatherstrip retainer.

8. REMOVE ROOF SIDE RAIL WEATHERSTRIP RETAINER

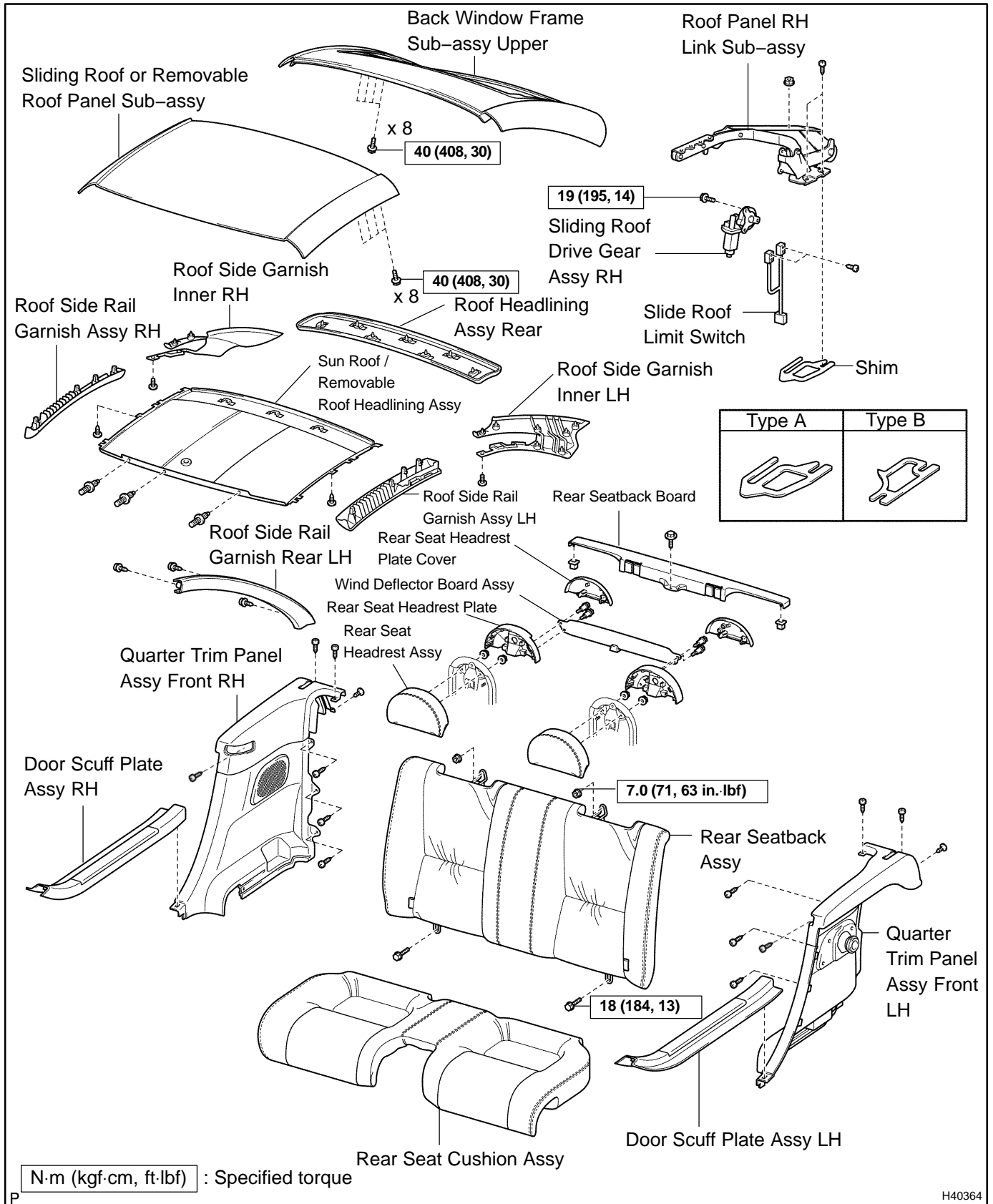
HINT:

Use the same procedures described for the RH side.

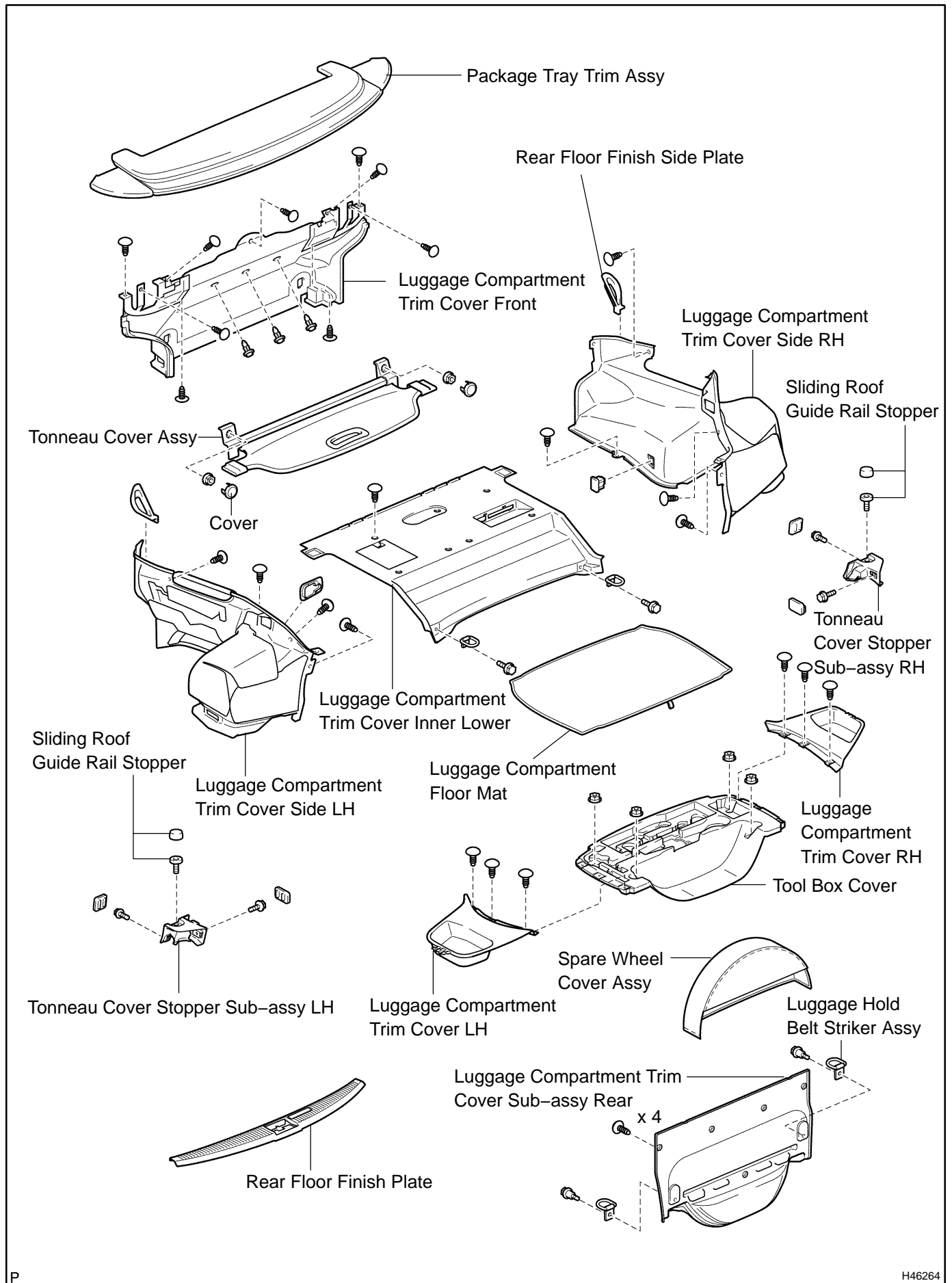
9. REMOVE BACK WINDOW OUTSIDE MOULDING (See page 70-21)
10. REMOVE BACK WINDOW GLASS (See page 70-21)
11. CLEAN BACK WINDOW GLASS (See page 70-21)
12. INSTALL BACK WINDOW GLASS ADHESIVE DAM (See page 70-21)
13. INSTALL BACK WINDOW GLASS (See page 70-21)
14. INSTALL ROOF SIDE RAIL WEATHERSTRIP RETAINER LH
15. INSTALL ROOF SIDE RAIL WEATHERSTRIP RETAINER RH
16. INSTALL REMOVABLE ROOF WEATHERSTRIP REAR
17. INSTALL BACK WINDOW FRAME SUB-ASSY UPPER
Torque: 40 N·m (408 kgf·cm, 30 ft·lbf)
18. INSTALL ROOF HEADLINING ASSY REAR
19. INSTALL ROOF SIDE GARNISH INNER LH
20. INSTALL ROOF SIDE GARNISH INNER RH
21. INSPECT FOR LEAKS AND REPAIR (See page 70-21)

ROOF PANEL LINK SUB-ASSY COMPONENTS

740D5-01



H40364



P

H46264

OVERHAUL

HINT:

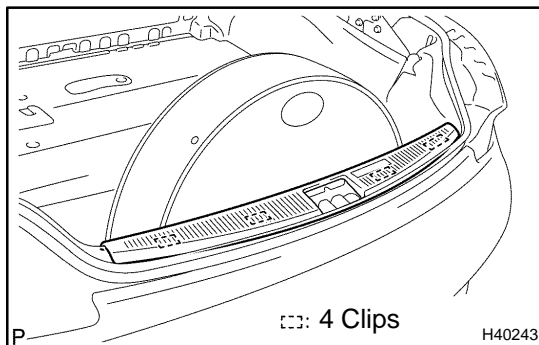
- Use the same procedures for the RH side and LH side.
- The procedures listed below are for the RH side.

1. DISCONNECT CABLE FROM NEGATIVE BATTERY TERMINAL

CAUTION:

Wait at least 90 seconds after disconnecting the cable from the negative (-) battery terminal to prevent airbag and seat belt pretensioner activation.

2. HALF OPEN ROOF PANEL
3. REMOVE ROOF SIDE RAIL GARNISH ASSY RH (See page 74-14)
4. REMOVE ROOF SIDE RAIL GARNISH ASSY LH (See page 74-14)
5. REMOVE SUN ROOF OR REMOVABLE ROOF HEADLINING ASSY (See page 74-14)
6. REMOVE SLIDING ROOF OR REMOVABLE ROOF PANEL SUB-ASSY (See page 74-14)
7. REMOVE ROOF SIDE GARNISH INNER RH (See page 74-19)
8. REMOVE ROOF SIDE GARNISH INNER LH (See page 74-19)
9. REMOVE ROOF HEADLINING ASSY REAR (See page 74-19)
10. REMOVE BACK WINDOW FRAME SUB-ASSY UPPER (See page 74-19)
11. REMOVE REAR SEAT CUSHION ASSY (See page 72-9)
12. REMOVE REAR SEAT HEADREST PLATE COVER (See page 72-9)
13. REMOVE WIND DEFLECTOR BOARD ASSY (See page 74-37)
14. REMOVE REAR SEAT HEADREST PLATE (See page 72-9)
15. REMOVE REAR SEAT HEADREST ASSY (See page 72-9)
16. REMOVE REAR SEATBACK ASSY (See page 72-9)
17. REMOVE REAR SEATBACK BOARD (See page 72-9)
18. REMOVE DOOR SCUFF PLATE ASSY RH (See page 74-37)
19. REMOVE DOOR SCUFF PLATE ASSY LH (See page 74-37)
20. REMOVE QUARTER TRIM PANEL ASSY FRONT RH (See page 74-37)
21. REMOVE QUARTER TRIM PANEL ASSY FRONT LH (See page 74-37)
22. RAISE PACKAGE TRAY TRIM ASSY (See page 74-37)
23. REMOVE PACKAGE TRAY TRIM ASSY (See page 74-37)



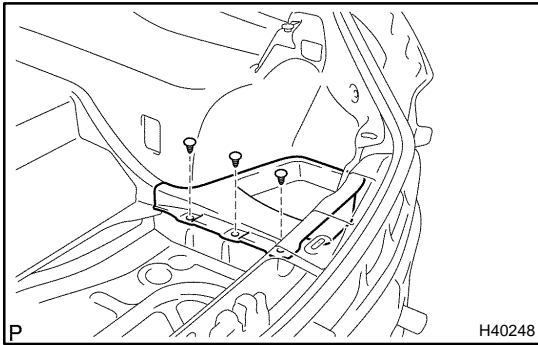
24. REMOVE REAR FLOOR FINISH PLATE

- (a) Using a screwdriver, detach the 4 clips and remove the finish plate.

HINT:

Tape the screwdriver tip before use.

25. REMOVE SPARE WHEEL COVER ASSY
26. REMOVE LUGGAGE COMPARTMENT FLOOR MAT

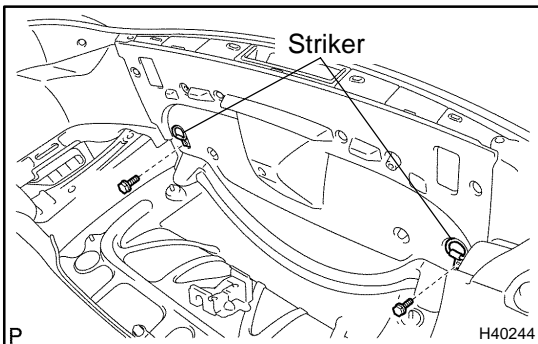


27. REMOVE LUGGAGE COMPARTMENT TRIM COVER RH

- (a) Using a clip remover, remove the 3 clips and trim cover.

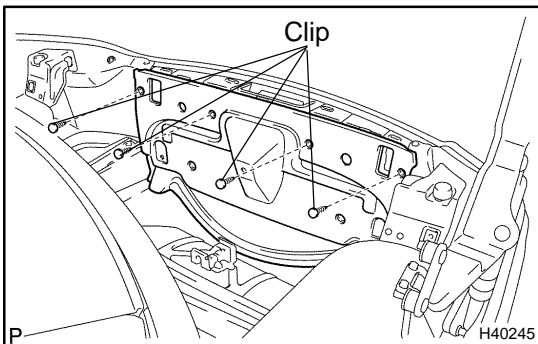
28. REMOVE LUGGAGE COMPARTMENT TRIM COVER LH

29. REMOVE TOOL BOX COVER



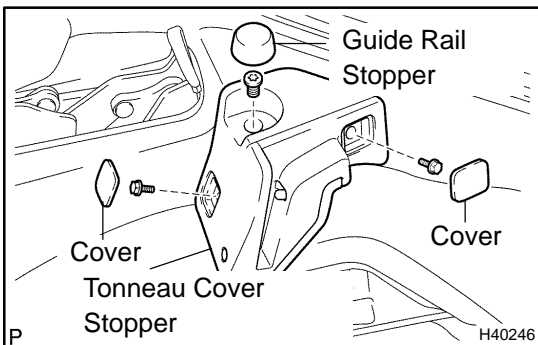
30. REMOVE LUGGAGE HOLD BELT STRIKER ASSY

- (a) Remove the 2 bolts and 2 strikers.



31. REMOVE LUGGAGE COMPARTMENT TRIM COVER SUB-ASSY REAR

- (a) Using a clip remover, remove the 4 clips and trim cover.



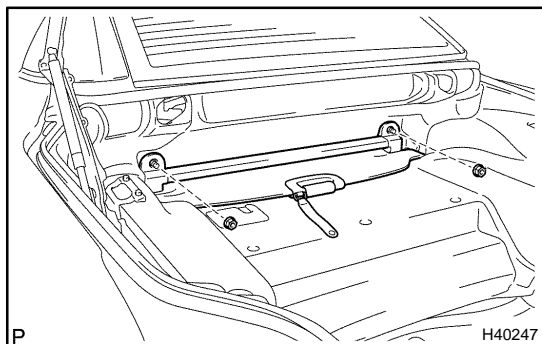
32. REMOVE TONNEAU COVER STOPPER SUB-ASSY RH

- (a) Remove the guide rail stopper.
 (b) Using a screwdriver, remove the 2 covers.

HINT:

Tape the screwdriver tip before use.

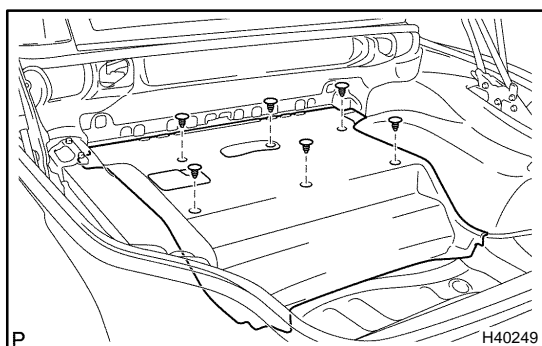
- (c) Using a T40 torx[®] socket wrench, remove the screw.
 (d) Remove the 2 bolts.
 (e) Remove the tonneau cover stopper.

33. REMOVE TONNEAU COVER STOPPER SUB-ASSY LH**34. REMOVE TONNEAU COVER ASSY**

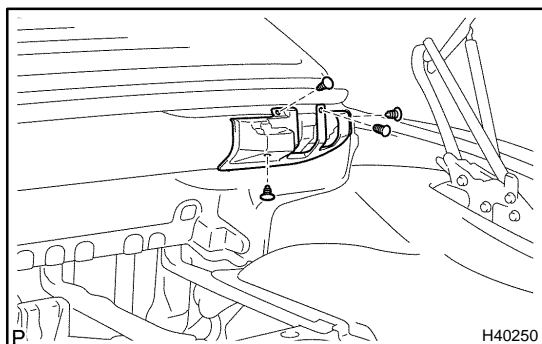
- (a) Using a screwdriver, remove the 2 covers, 2 nuts and tonneau cover.

HINT:

Tape the screwdriver tip before use.

**35. REMOVE LUGGAGE COMPARTMENT TRIM COVER INNER LOWER**

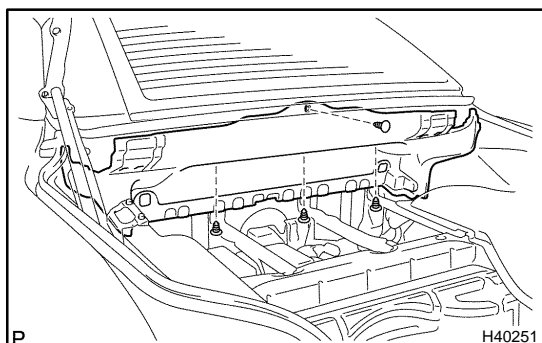
- (a) Using a clip remover, remove the 6 clips and trim cover.

**36. REMOVE LUGGAGE COMPARTMENT TRIM COVER FRONT**

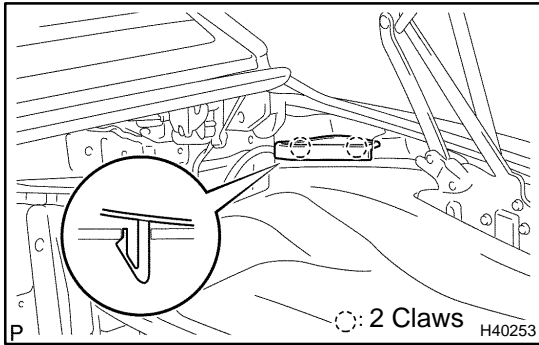
- (a) Using a clip remover, remove the 4 clips.

HINT:

Use the same procedures described for the other side.



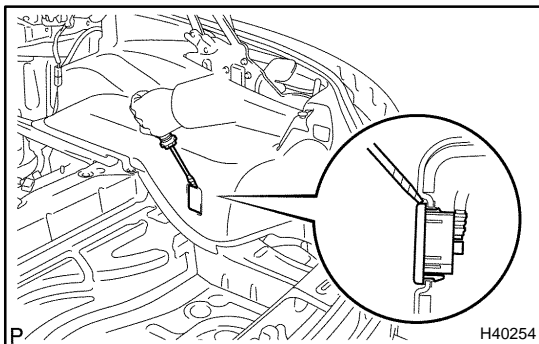
- (b) Using a clip remover, remove the 4 clips.
 (c) Remove the luggage compartment trim cover front.

**37. REMOVE REAR FLOOR FINISH SIDE PLATE RH**

- (a) Using a screwdriver, detach the 2 claws and remove the side plate.

HINT:

Tape the screwdriver tip before use.

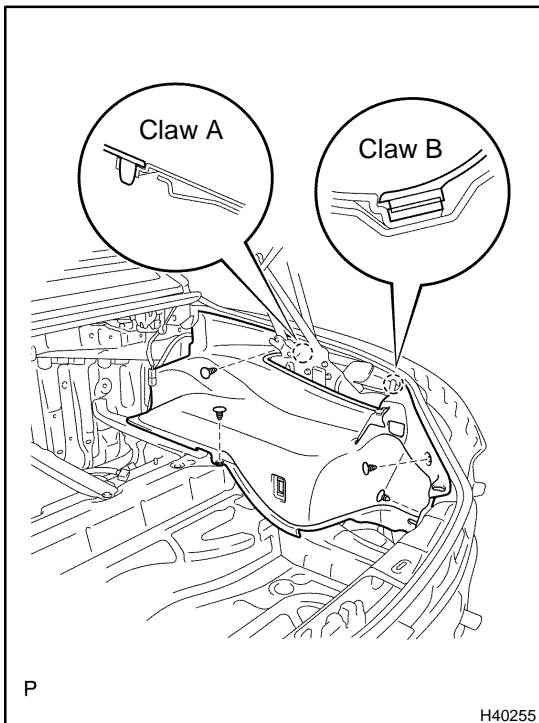
38. REMOVE REAR FLOOR FINISH SIDE PLATE LH**39. REMOVE LUGGAGE COMPARTMENT LAMP ASSY NO.1**

- (a) Using a screwdriver, detach the 2 claws and remove the cover.

HINT:

Tape the screwdriver tip before use.

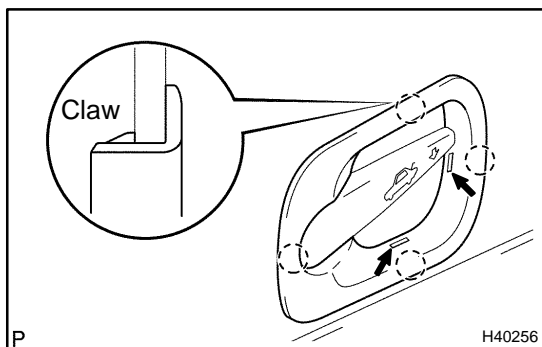
- (b) Remove the luggage compartment lamp and disconnect the connector.

**40. REMOVE LUGGAGE COMPARTMENT TRIM COVER SIDE RH**

- (a) Using a clip remover, remove the 4 clips.
 (b) Using a screwdriver, detach the claw labeled A and claw labeled B, and remove the trim cover.

HINT:

Tape the screwdriver tip before use.

**41. REMOVE DOOR INSIDE HANDLE BEZEL**

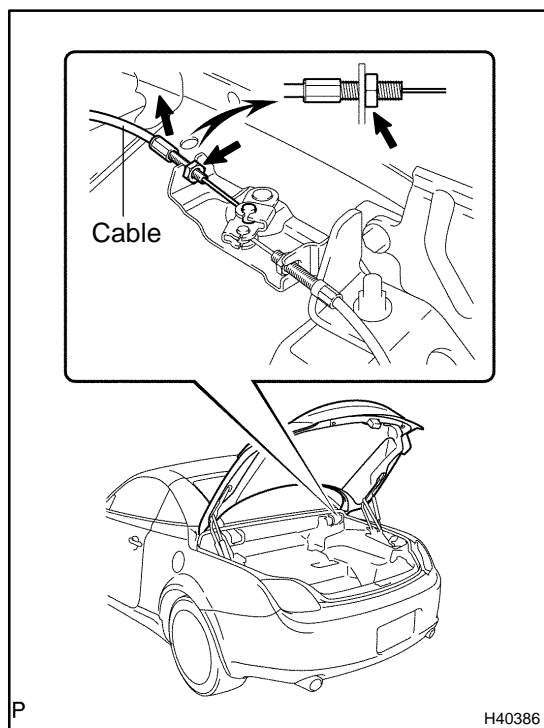
- (a) Using a screwdriver, detach the 4 claws and remove the bezel.

HINT:

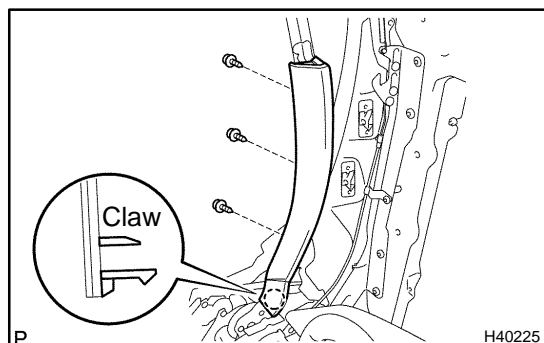
- Tape the screwdriver tip before use.
- Hold down the parts indicated in the illustration (around the service hole), and detach the claw fitting.

42. REMOVE LUGGAGE COMPARTMENT TRIM COVER SIDE LH**HINT:**

Use the same procedures described for the RH side.

**43. REMOVE ROOF SIDE RAIL GARNISH REAR RH**

- (a) Loosen the nut and disconnect the cable.

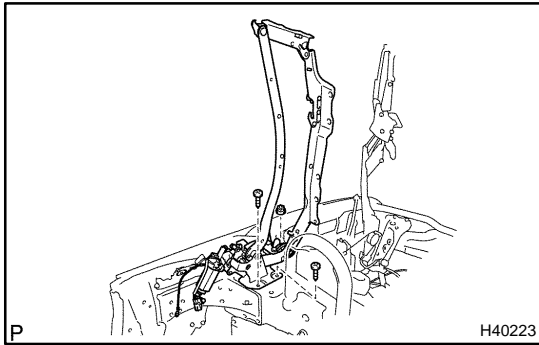


- (b) Remove the 3 screws.

- (c) Using a screwdriver, detach the claw and remove the garnish.

HINT:

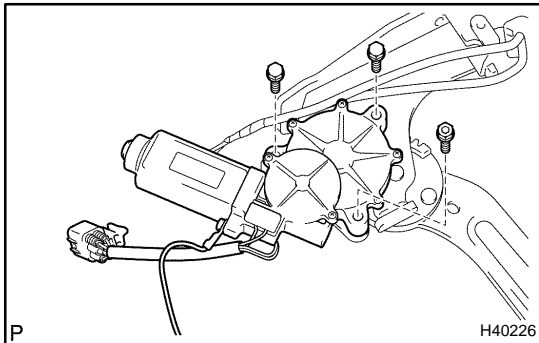
Tape the screwdriver tip before use.

**44. REMOVE ROOF PANEL RH LINK SUB-ASSY**

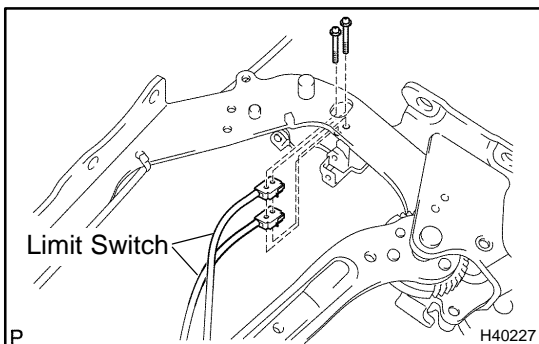
- (a) Disconnect the connector.
- (b) Using a T40 torx[®] wrench, remove the 2 screws and nut.
- (c) Remove the roof panel link and shims.

HINT:

Keep the roof panel link's type A and type B shims separate from other part's shims (see ROOF PANEL LINK SUB-ASSY COMPONENTS).

**45. REMOVE SLIDING ROOF DRIVE GEAR ASSY RH**

- (a) Remove the 3 bolts and drive gear.

**46. REMOVE SLIDE ROOF LIMIT SWITCH**

- (a) Remove the 2 screws and limit switch.

47. INSTALL SLIDE ROOF LIMIT SWITCH

- (a) Install the limit switch with the 2 screws.

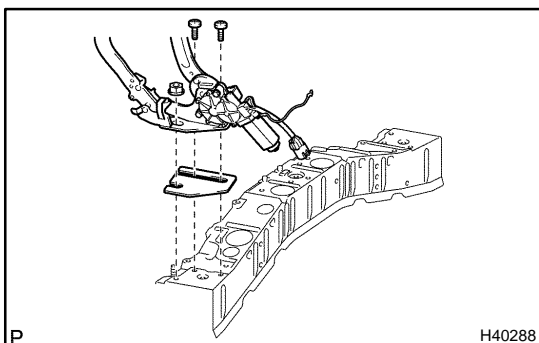
HINT:

Install the white tape side of the limit switch (with wire harness) so that it is inside the vehicle.

48. INSTALL SLIDING ROOF DRIVE GEAR ASSY RH

- (a) Install the driver gear with the 3 bolts.

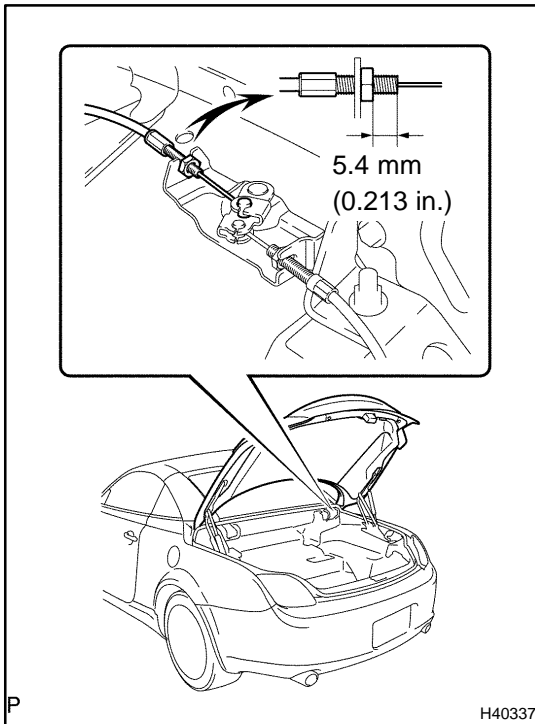
Torque: 19 N·m (194 kgf·cm, 14 ft·lbf)

**49. TEMPORARILY TIGHTEN ROOF PANEL RH LINK SUB-ASSY**

- (a) Temporarily install the shims and roof panel link with the 2 screws and nut.

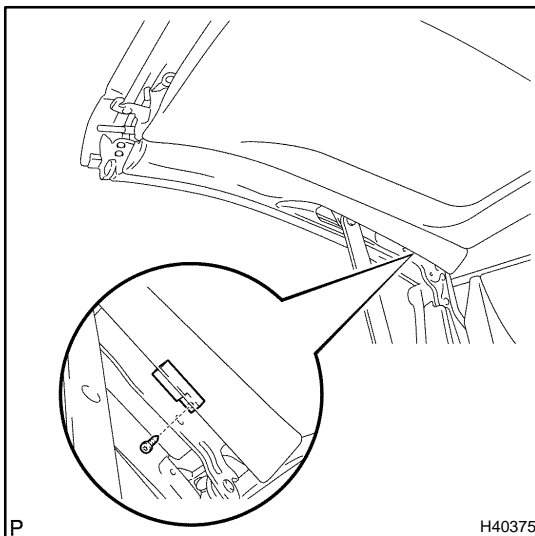
HINT:

- Use the shims stored during removal.
- The number of shims is changeable depending on the situation.

**50. INSTALL ROOF SIDE RAIL GARNISH REAR RH**

- (a) Connect the cable and tighten the nut.
Torque: 5.0 N·m (51 kgf·cm, 44 in.-lbf)
- (b) Engage the claw and install the garnish with the 3 screws.

51. **INSTALL BACK WINDOW FRAME SUB-ASSY UPPER** (See page 74-19)
52. **INSTALL ROOF HEADLINING ASSY REAR**
53. **ADJUST ROOF SIDE GARNISH INNER LH** (See page 74-19)
54. **INSTALL ROOF SIDE GARNISH INNER RH** (See page 74-19)
55. **INSTALL SLIDING ROOF OR REMOVABLE ROOF PANEL SUB-ASSY** (See page 74-14)
56. **INSTALL REMOVABLE ROOF LOCK SUB-ASSY** (See page 74-14)
57. **INSTALL SUN ROOF OR REMOVABLE ROOF HEADLINING ASSY** (See page 74-14)
58. **INSTALL ROOF SIDE GARNISH INNER LH** (See page 74-19)
59. **INSTALL ROOF SIDE GARNISH INNER RH** (See page 74-19)

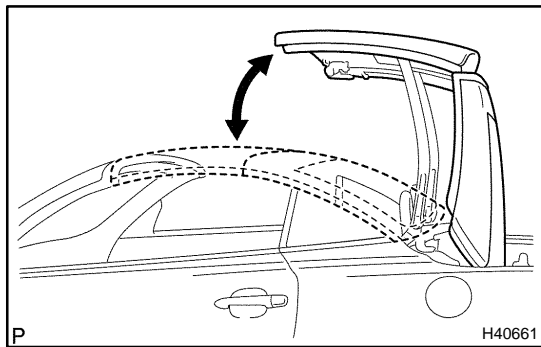
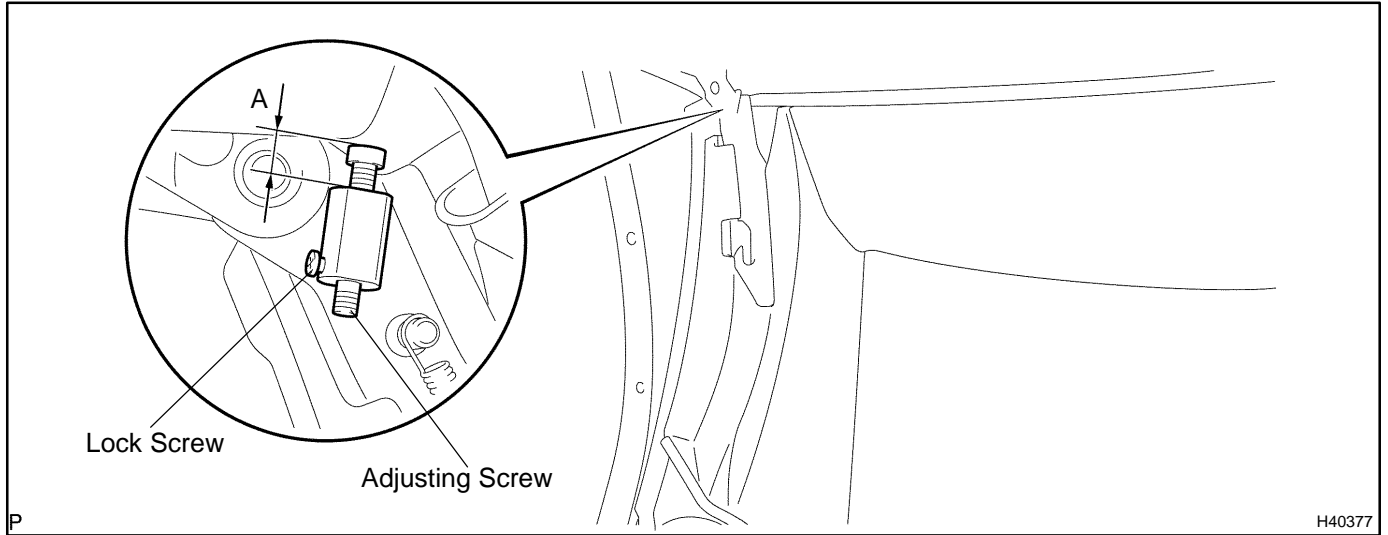
**60. INSTALL ROOF LINE****NOTICE:**

In order to prevent the roof's rear side from rising when driving at a high speed, adjustment of the roof panel link sub-assy adjusting screw is necessary. Be sure to perform the following adjustment procedure.

- (a) Using a T40 torx[®] driver, remove the stopper cushion from the roof panel link.

- (b) Using a hexagon wrench, loosen the lock screw. Adjust the protrusion of the roof panel link adjusting screw (labeled A).

Protrusion: 8 mm (0.31 in.)

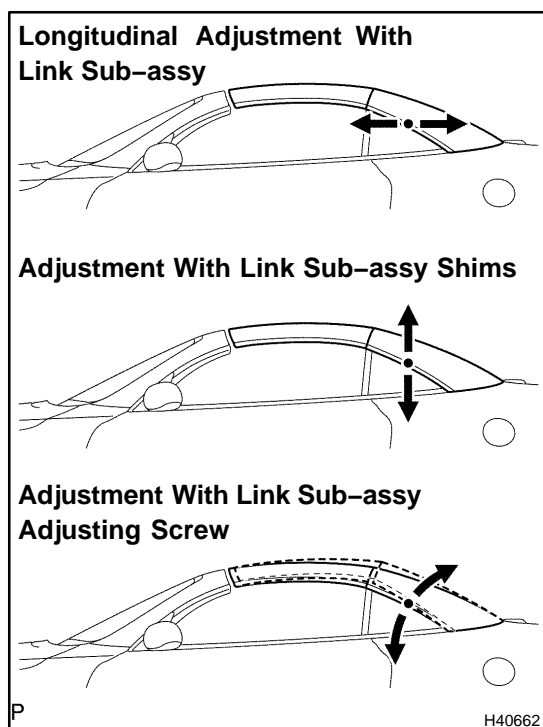
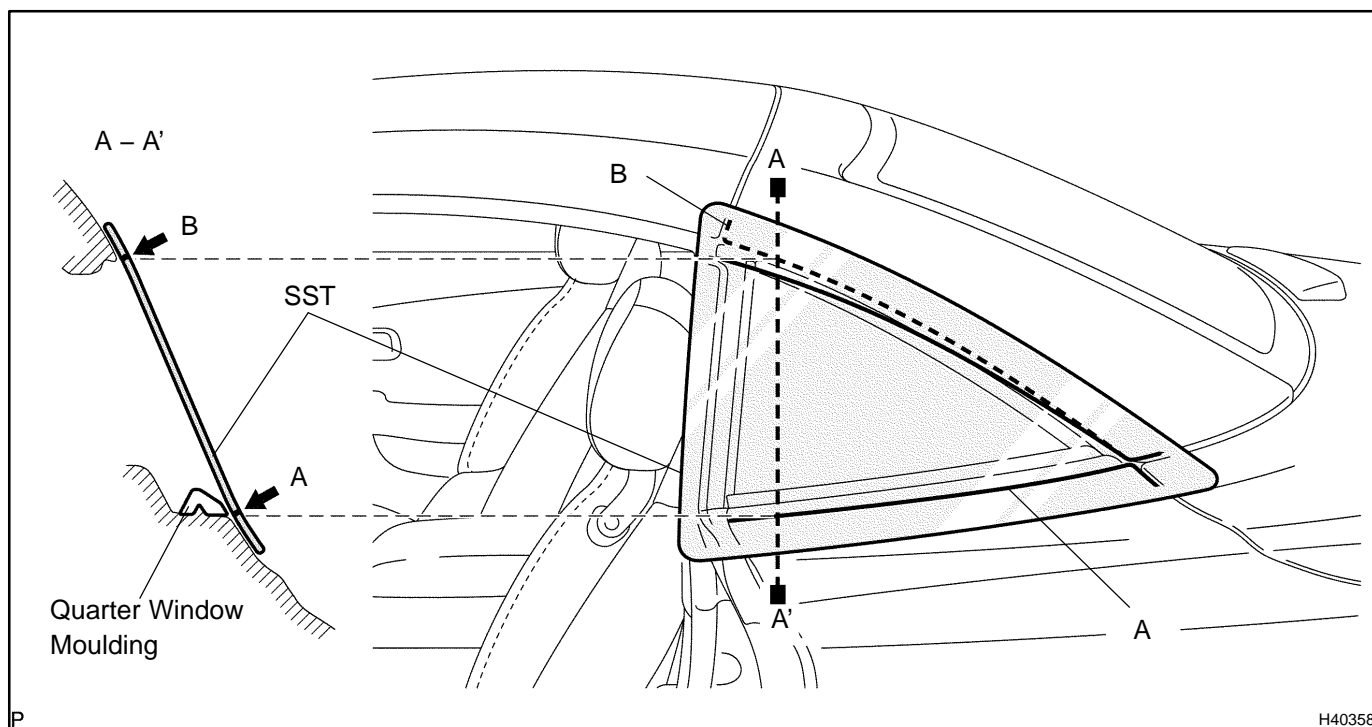


- (c) Close the roof by its own weight several times from the half open position.

- (d) Close the roof by its own weight from the half open position and place SST without locking the roof.
SST 09802-00010

HINT:

- Place SST so that it does not contact with the roof panel.
- Place SST in alignment with line A, which is between the body panel and quarter window moulding.

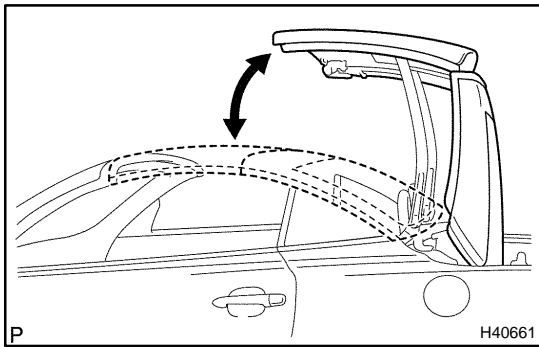


- (e) Check that line B on the upper part of SST aligns with the roof line.

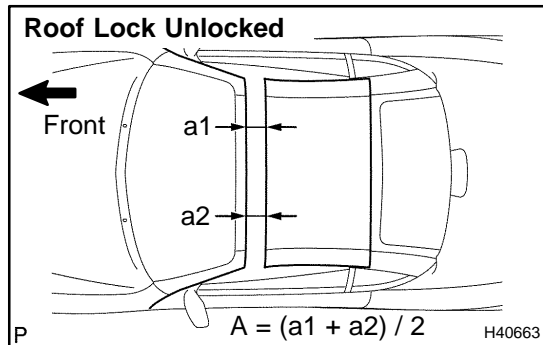
HINT:

- When the roof line is not aligned with SST line B in the longitudinal direction, adjust the roof panel link sub-assy forward or backward to align the roof line with SST reference line.
 - When the roof line is not aligned with SST reference dot line B in the vertical direction, adjust either by turning the adjusting screw or with roof panel link sub-assy shims. After adjustment, be sure to repeat the check in step (c).
- (f) Using a hexagon wrench, fully tighten the roof panel link with the 2 screws.

Torque: 41 N·m (418 kgf·cm, 30 ft·lbf)



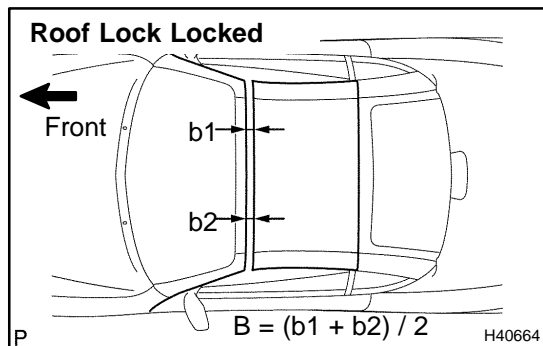
- (g) Close the roof by its own weight from the half open position.



- (h) Measure the retract amount of the roof lock.
 (1) Close the roof by its own weight from the half open position. Measure the distance A between the front header and roof panel at the point where the roof stops without locking.

HINT:

- Measure the retract amount without contact with the roof panel.
- Mark the point at which the measurement was performed.

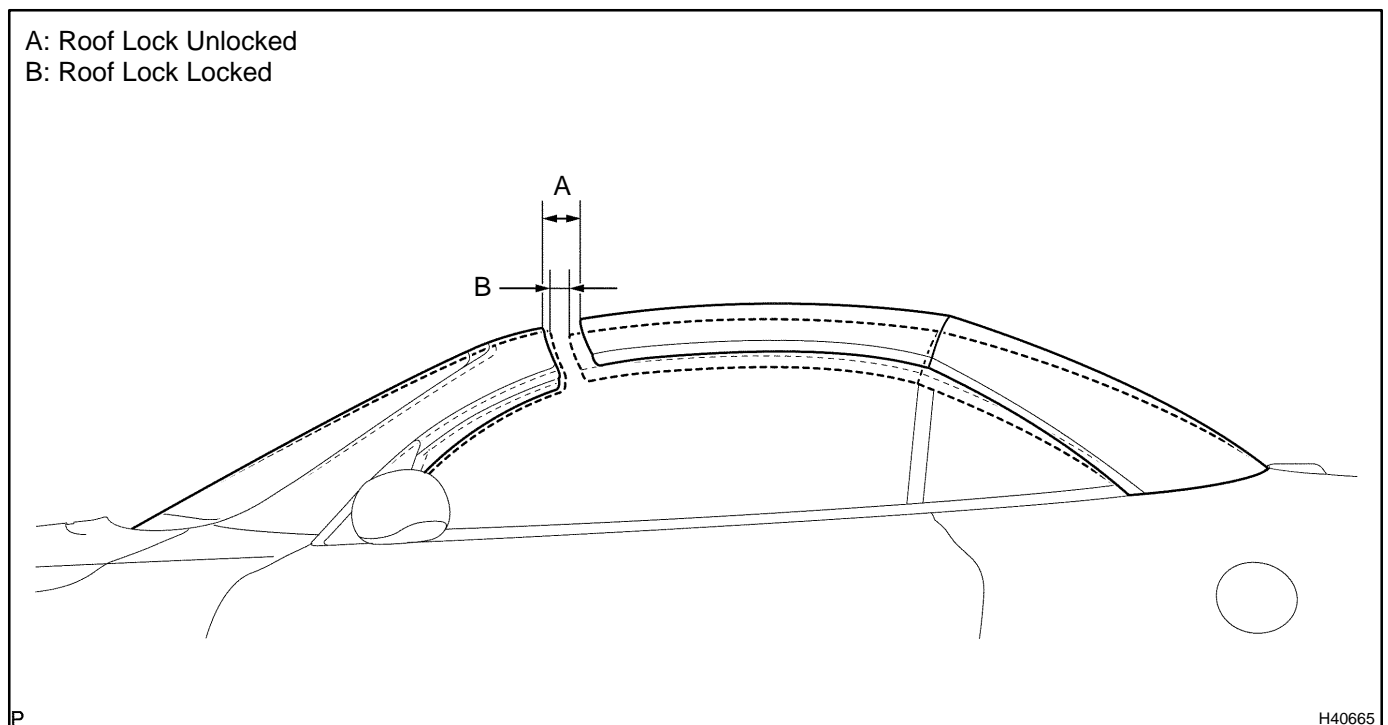


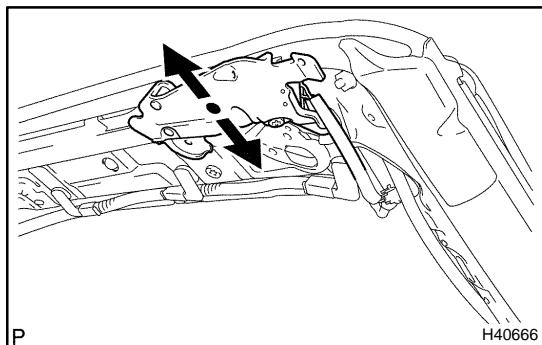
- (2) From the position in step (h)-(1), lock the roof and measure the distance B between the front header and roof panel.

HINT:

Measure at the same point as in step (h)-(1).

C (Retract amount of roof lock) = A - B



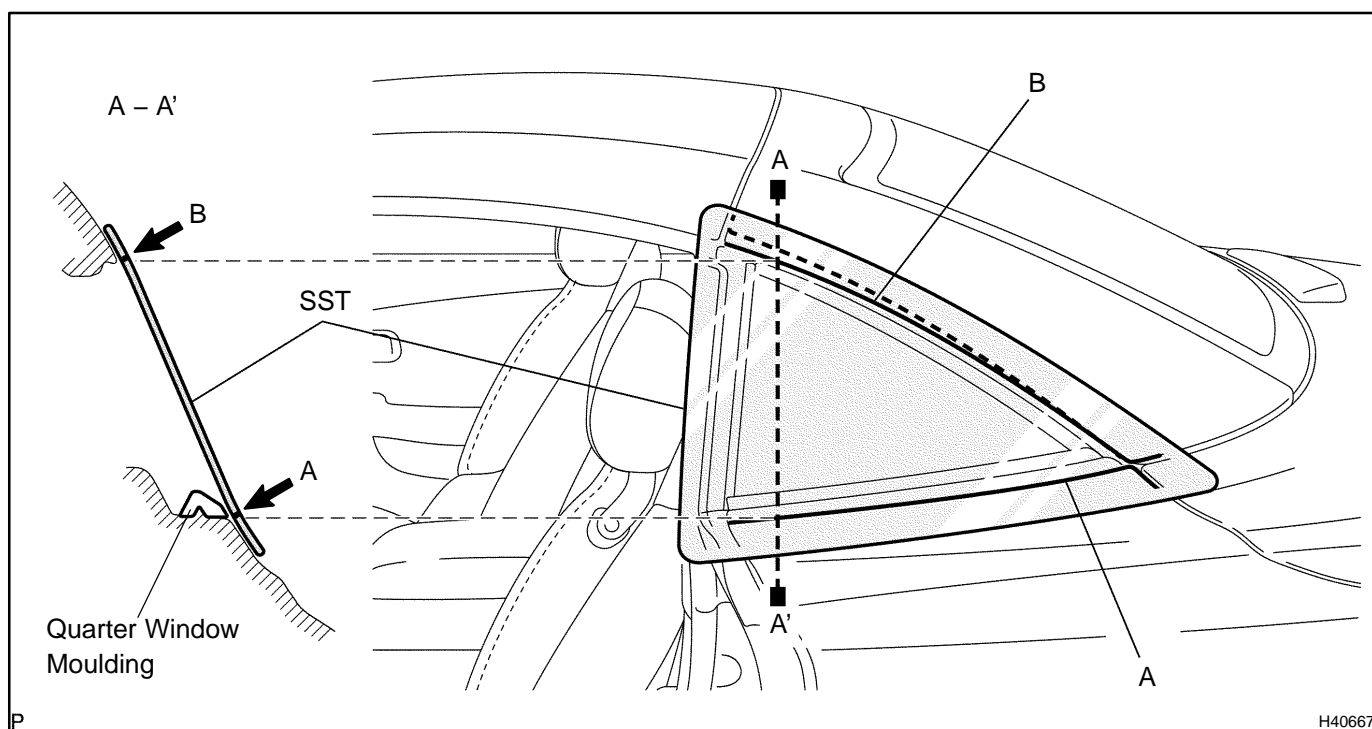


- (i) Adjust the removable roof auxiliary catch assy.
 (1) Using a T30 torx[®] socket, adjust the removable roof auxiliary catch assy to make C within the specified value.

Standard value: C = 3.5 ± 1 mm (0.14 ± 0.04 in.)

If C is not as specified, adjust by turning the adjusting screw.

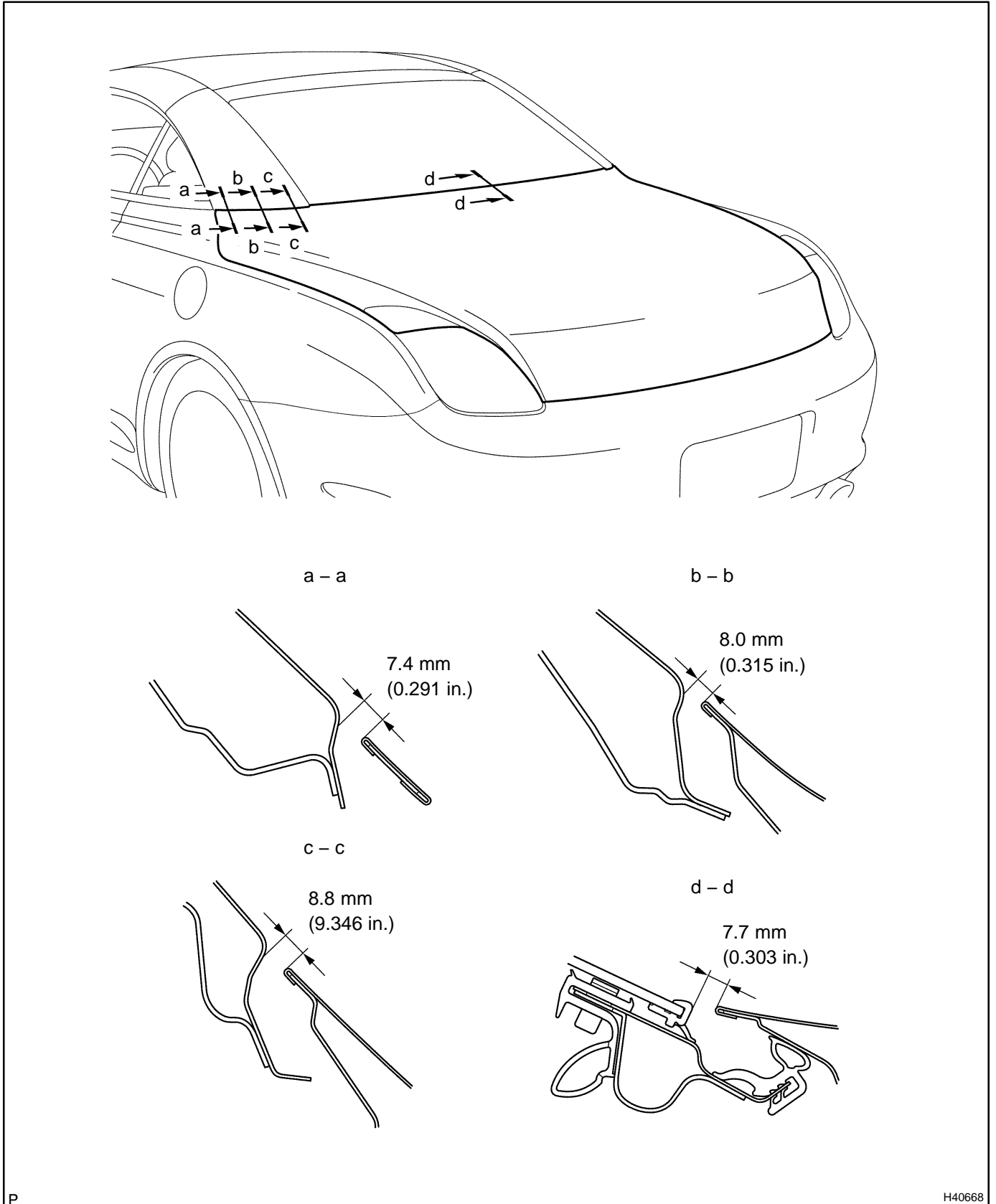
- (j) Place SST and check that reference line B at the upper part of the SST aligns approximately with the roof line.
 SST 09802-00010



HINT:

Depending on the vehicle condition, the roof line may not align with the SST reference line B.

- (k) Check the installation condition.
If necessary, repeat the adjustment from step (b).



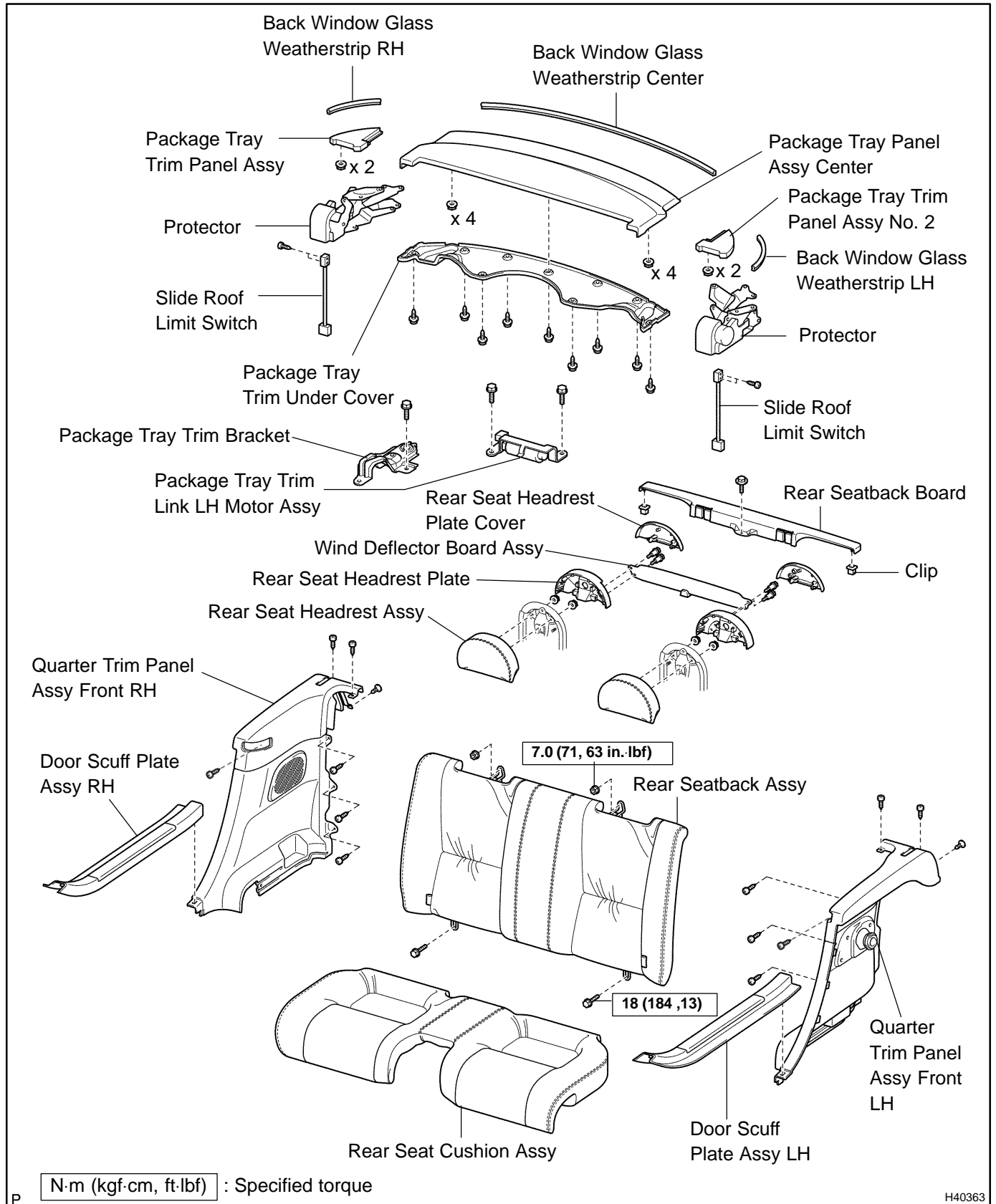
61. INSTALL PACKAGE TRAY TRIM ASSY (See page 74-37)
62. INSTALL QUARTER TRIM PANEL ASSY FRONT LH (See page 74-37)
63. INSTALL QUARTER TRIM PANEL ASSY FRONT RH (See page 74-37)
64. INSTALL DOOR SCUFF PLATE ASSY LH (See page 74-37)
65. INSTALL DOOR SCUFF PLATE ASSY RH (See page 74-37)
66. INSTALL REAR SEATBACK BOARD (See page 74-37)
67. INSTALL REAR SEATBACK ASSY (See page 72-9)
68. INSTALL LUGGAGE COMPARTMENT TRIM COVER SIDE LH
69. INSTALL DOOR INSIDE HANDLE BEZEL
70. INSTALL LUGGAGE COMPARTMENT TRIM COVER SIDE RH
71. INSTALL LUGGAGE COMPARTMENT LAMP ASSY NO.1
72. INSTALL LUGGAGE COMPARTMENT TRIM COVER FRONT
73. INSTALL REAR FLOOR FINISH SIDE PLATE LH
74. INSTALL REAR FLOOR FINISH SIDE PLATE RH
75. INSTALL LUGGAGE COMPARTMENT TRIM COVER INNER LOWER
76. INSTALL TONNEAU COVER ASSY
77. INSTALL TONNEAU COVER STOPPER SUB-ASSY LH
78. INSTALL TONNEAU COVER STOPPER SUB-ASSY RH
79. INSTALL LUGGAGE COMPARTMENT TRIM COVER SUB-ASSY REAR
80. INSTALL LUGGAGE HOLD BELT STRIKER ASSY
81. INSTALL TOOL BOX COVER
82. INSTALL LUGGAGE COMPARTMENT TRIM COVER LH
83. INSTALL LUGGAGE COMPARTMENT TRIM COVER RH
84. INSTALL LUGGAGE COMPARTMENT FLOOR MAT
85. INSTALL SPARE WHEEL COVER ASSY
86. INSTALL REAR FLOOR FINISH PLATE
87. CONNECT CABLE TO NEGATIVE BATTERY TERMINAL
88. PERFORM INITIALIZATION (See page 01-17)

NOTICE:

Certain systems need to be initialized after disconnecting and reconnecting the cable from the negative (-) battery terminal.

PACKAGE TRAY TRIM ASSY COMPONENTS

74012-02

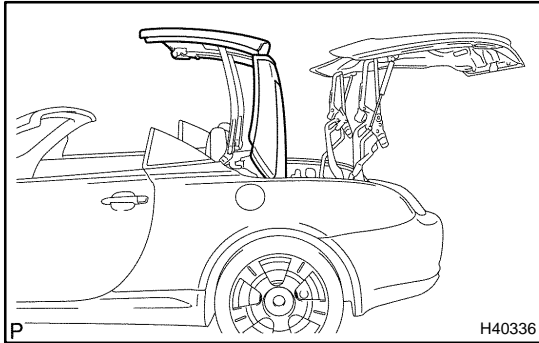


OVERHAUL

1. DISCONNECT CABLE FROM NEGATIVE BATTERY TERMINAL

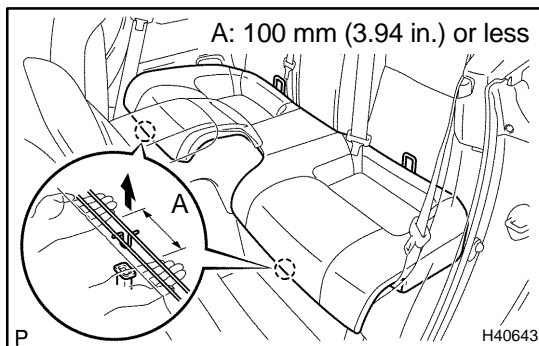
CAUTION:

Wait at least 90 seconds after disconnecting the cable from the negative (-) battery terminal to prevent airbag and seat belt pretensioner activation.



2. HALF OPEN ROOF PANEL

- (a) Refer to the MANUAL OPERATING procedures half open the roof.

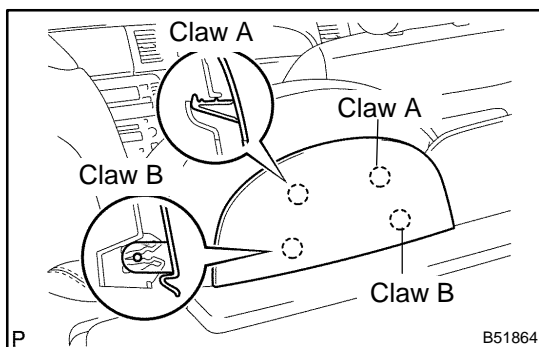


3. REMOVE REAR SEAT CUSHION ASSY

- (a) Pull up the front portion of the seat cushion, and then remove it.

NOTICE:

Hold the base of the clip up to prevent the cushion frame from being distorted.



4. REMOVE REAR SEAT HEADREST PLATE COVER

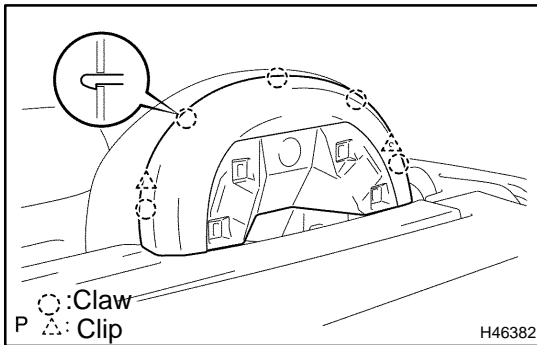
- (a) Using a screwdriver, detach the 2 claws labeled A and 2 claws labeled B, and remove the cover.

HINT:

- Tape the screwdriver tip before use.
- Use the same procedures described for the other side.

5. REMOVE WIND DEFLECTOR BOARD ASSY

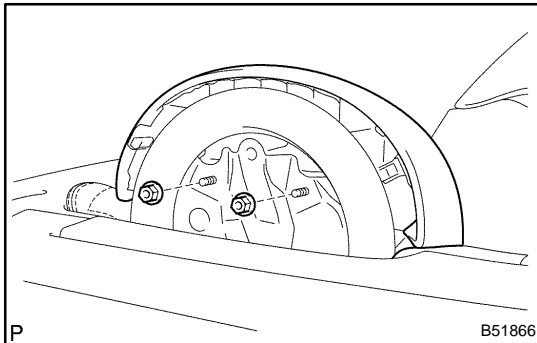
- (a) Remove the 4 bolts and wind deflector board.

**6. REMOVE REAR SEAT HEADREST PLATE**

- (a) Using a screwdriver, detach the 2 clips and 5 claws and remove the plate.

HINT:

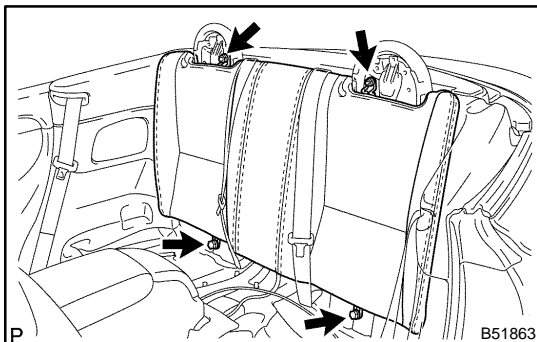
- Tape the screwdriver tip before use.
- Use the same procedures described for the other side.

**7. REMOVE REAR SEAT HEADREST ASSY**

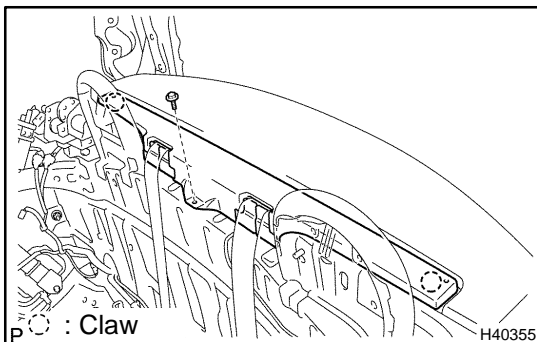
- (a) Remove the 2 nuts and headrest.

HINT:

Use the same procedures described for the other side.

**8. REMOVE REAR SEATBACK ASSY**

- (a) Remove the 2 nuts, 2 bolts and seatback.

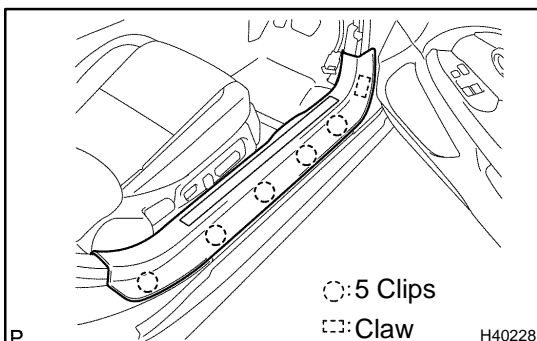
**9. REMOVE REAR SEATBACK BOARD**

- (a) Remove the bolt.

- (b) Using a screwdriver, detach the 2 claws and remove the board.

HINT:

Tape the screwdriver tip before use.

**10. REMOVE DOOR SCUFF PLATE ASSY RH**

- (a) Using a screwdriver, detach the claw and 5 clips, and remove the scuff plate.

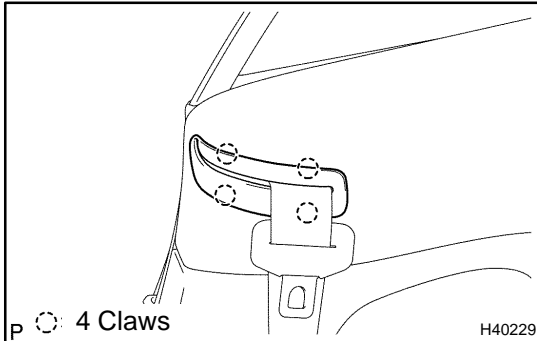
HINT:

Tape the screwdriver tip before use.

11. REMOVE DOOR SCUFF PLATE ASSY LH

HINT:

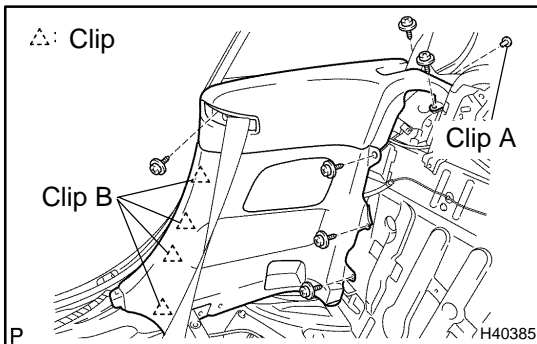
Use the same procedures described for the RH side.

**12. REMOVE QUARTER TRIM PANEL ASSY FRONT RH**

- (a) Using a screwdriver, detach the 4 claws and remove the belt garnish.

HINT:

Tape the screwdriver tip before use.



- (b) Remove the 6 screws and clip labeled A.

- (c) Using a screwdriver, detach the 4 clips labeled B and remove the trim panel.

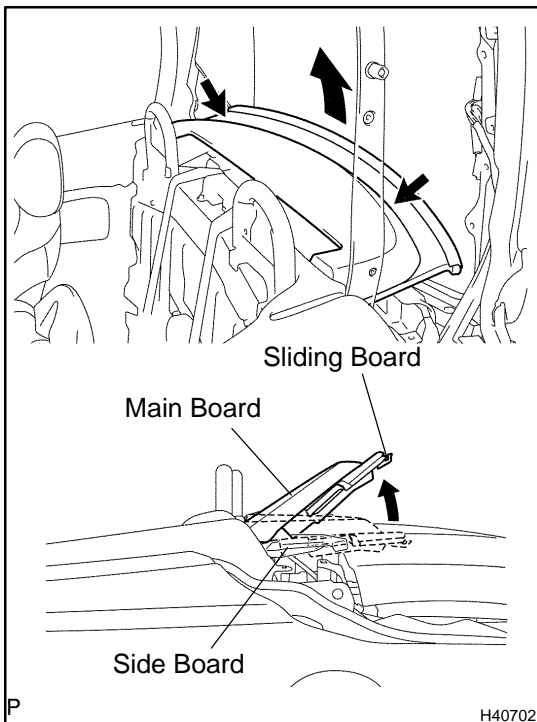
HINT:

Tape the screwdriver tip before use.

13. REMOVE QUARTER TRIM PANEL ASSY FRONT LH

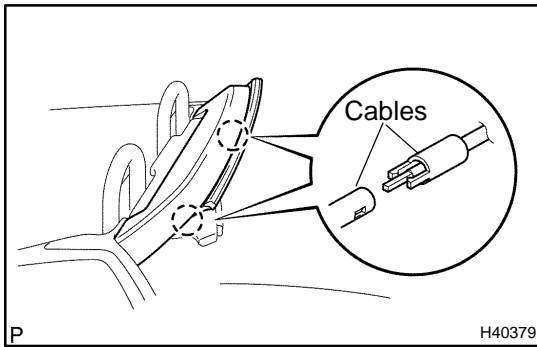
HINT:

Use the same procedures described for the RH side.

**14. RAISE PACKAGE TRAY TRIM ASSY**

- (a) Place both hands under the rear part of the package tray in positions close to both ends. Raise the package tray trim gradually to 30° to 45°.

CAUTION:**Do not place your hands on the edges of the main board.****NOTICE:****Do not apply direct force to the side board as it is operated in connection with the main board.**



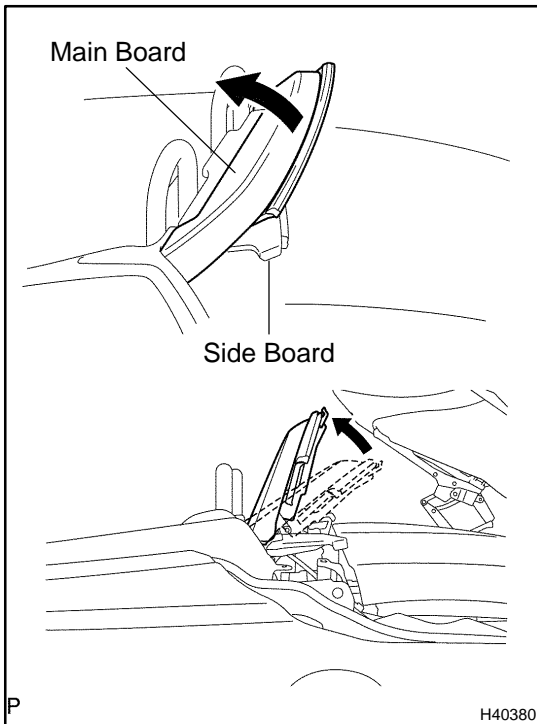
- (b) Disconnect the joints of the cables from the package tray trim gear box.

CAUTION:

Take care not to injure your hands when disconnecting the joints.

NOTICE:

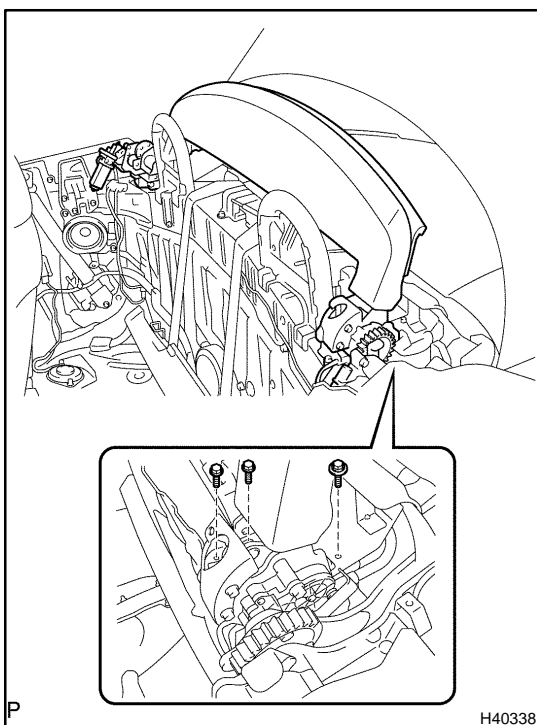
- As the cable is coated with grease, prevent it from contacting the seat, seat belt or other parts.
- Make sure the removed cable is not pressed against the package tray trim gear box.



- (c) Raise the package tray trim gradually until it stops.

NOTICE:

Do not apply direct force to the side board as it is operated in connection with the main board.

**15. REMOVE PACKAGE TRAY TRIM ASSY**

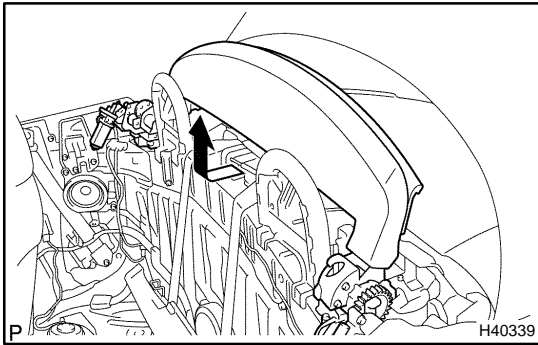
- (a) Disconnect the limit switch connectors.
 (b) Remove the 3 bolts.

NOTICE:

- Depending on the angle of the package tray trim, the side board may interfere with the bolt. In this case, adjust the angle to move the side board so that the bolt can be viewed.
- Do not move the side board directly. Be sure to move the main board for adjustment.
- The main board is operated in connection with the side board.

HINT:

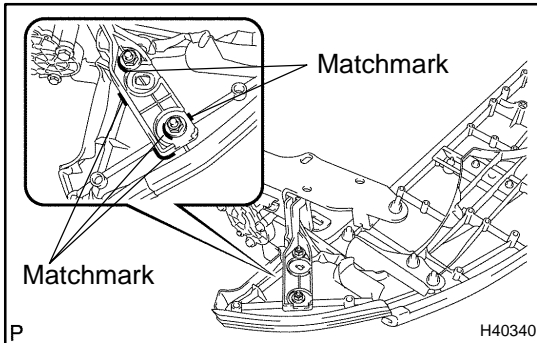
Use the same procedures described for the other side.



(c) Remove the trim as shown in the illustration.

HINT:

Keep the package tray trim's right and left shims separate from other part's shims.



16. REMOVE PACKAGE TRAY TRIM PANEL ASSY

(a) As shown in the illustration, mark the nut positions on the arm of the bracket.

HINT:

When replacing the bracket with a new one, mark the arm position on the side board.

(b) Remove the 2 nuts and trim panel.

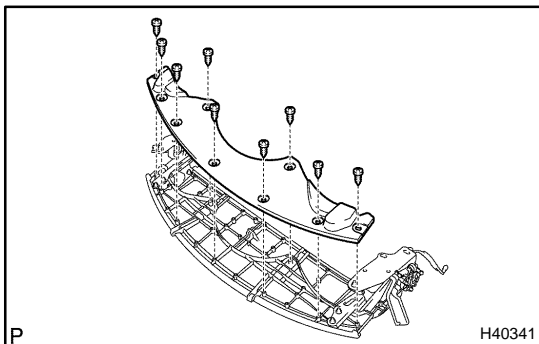
17. REMOVE PACKAGE TRAY TRIM PANEL ASSY NO.2

(a) Mark the nut positions on the arm of the bracket.

HINT:

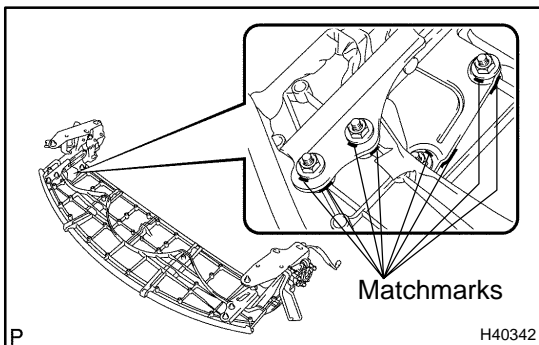
When replacing the bracket with a new one, mark the arm position on the side board.

(b) Remove the 2 nuts and trim panel No. 2.



18. REMOVE PACKAGE TRAY TRIM UNDER COVER

(a) Remove the 9 screws and cover.



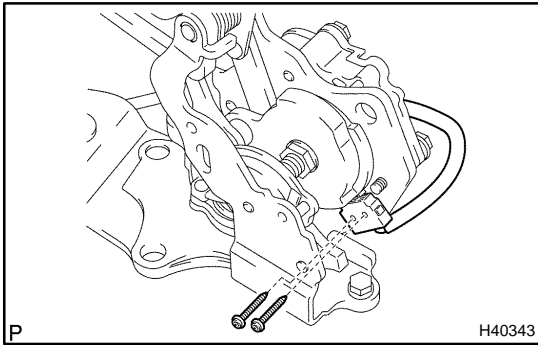
19. REMOVE PACKAGE TRAY PANEL ASSY CENTER

(a) As shown in the illustration, mark the nut positions on the bracket.

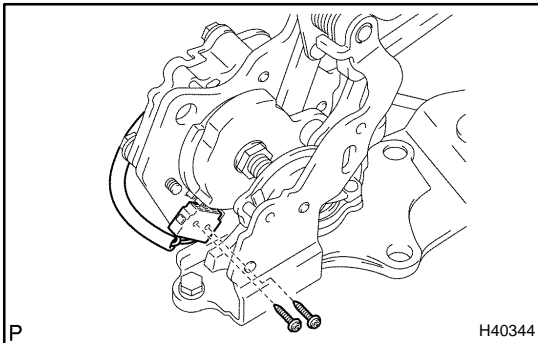
HINT:

When replacing the bracket with a new one, mark the bracket position on the panel assy side.

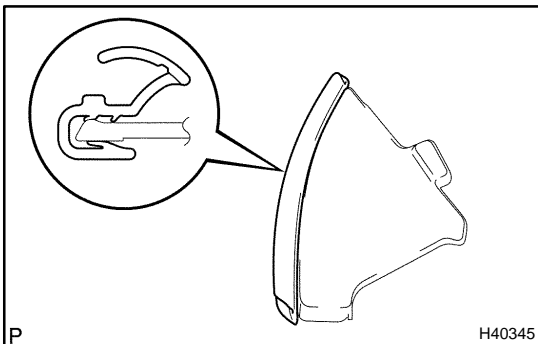
(b) Remove the 4 nuts and panel.

**20. REMOVE SLIDE ROOF LIMIT SWITCH**

- (a) Remove the bolt and protector.
- (b) Remove the 2 screws and limit switch.

**21. REMOVE SWITCH, SLIDE ROOF LIMIT**

- (a) Remove the bolt and protector.
- (b) Remove the 2 screws and limit switch.

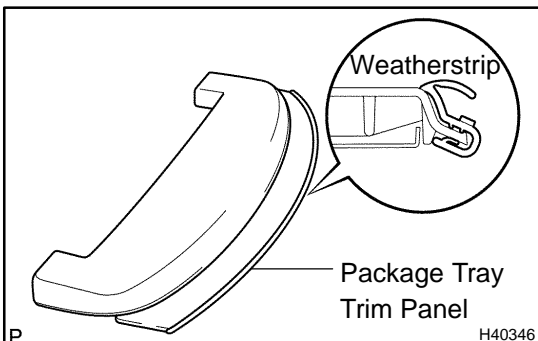
**22. REMOVE BACK WINDOW GLASS WEATHERSTRIP RH**

- (a) Remove the weatherstrip from the package tray panel.

23. REMOVE BACK WINDOW GLASS WEATHERSTRIP LH

HINT:

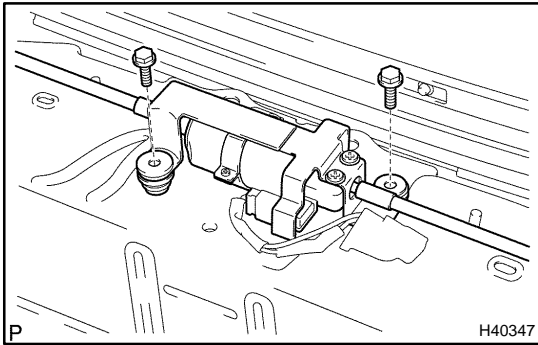
Use the same procedures described for the RH side.

**24. REMOVE BACK WINDOW GLASS WEATHERSTRIP CENTER**

- (a) Remove the weatherstrip from the package tray trim panel.

25. REMOVE PACKAGE TRAY TRIM BRACKET

- (a) Remove the 2 bolts and bracket.



26. REMOVE PACKAGE TRAY TRIM LINK LH MOTOR ASSY

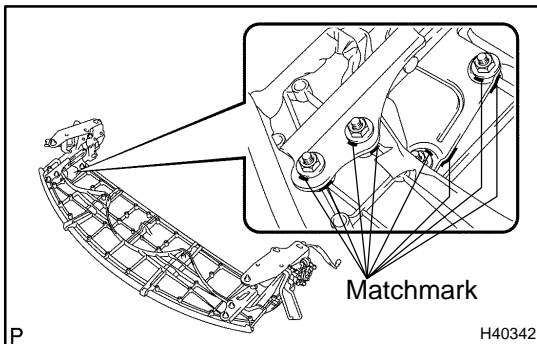
- (a) Using a clip remover, detach the 2 clips of the drive cable.
- (b) Remove the 2 drive cable.

HINT:

Turn the attachment on the drive cable end and remove the drive cable from the motor.

- (c) Disconnect the connector, then remove the 2 bolts and motor.

- 27. INSTALL PACKAGE TRAY TRIM LINK LH MOTOR ASSY**
- 28. INSTALL PACKAGE TRAY TRIM BRACKET**
- 29. INSTALL BACK WINDOW GLASS WEATHERSTRIP CENTER**
- 30. INSTALL BACK WINDOW GLASS WEATHERSTRIP LH**
- 31. INSTALL BACK WINDOW GLASS WEATHERSTRIP RH**
- 32. INSTALL SWITCH, SLIDE ROOF LIMIT**
- 33. INSTALL SLIDE ROOF LIMIT SWITCH**



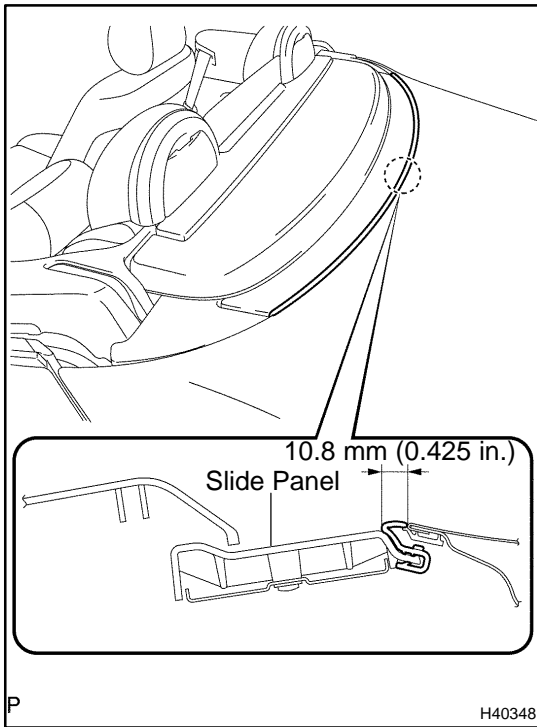
34. INSTALL PACKAGE TRAY PANEL ASSY CENTER

- (a) Install the panel so that the nuts are in the marked position.

HINT:

When replacing the bracket, install it by correctly positioning to the marks on the panel.

- 35. INSTALL PACKAGE TRAY TRIM UNDER COVER**
- 36. INSTALL PACKAGE TRAY TRIM PANEL ASSY NO.2**
- 37. INSTALL PACKAGE TRAY TRIM PANEL ASSY**

**38. INSTALL PACKAGE TRAY TRIM ASSY**

- (a) Temporarily install tray trim with the 6 bolts.

HINT:

Use the shims stored during removal.

- (b) Fully open the roof.
 (c) Close the luggage door.
 (d) Move the package tray trim back and forth to adjust its position.

Standard: 10.8 mm (0.425 in.)

If the standard value is not satisfied, adjust the installation position of the side panel.

HINT:

For vertical adjustment, change the number of the shims to be inserted.

- (e) Open the luggage door from the front and set the package tray trim to an upright position.
 (f) Tighten the 6 bolts.

39. **INSTALL QUARTER TRIM PANEL ASSY FRONT LH**
 40. **INSTALL QUARTER TRIM PANEL ASSY FRONT RH**
 41. **INSTALL DOOR SCUFF PLATE ASSY LH**
 42. **INSTALL DOOR SCUFF PLATE ASSY RH**
 43. **INSTALL REAR SEATBACK BOARD**
 44. **INSTALL REAR SEATBACK ASSY (See page 72-9)**
 45. **FULLY CLOSE ROOF PANEL**

Torque:

18 N·m (184 kgf·cm, 13 ft·lbf) for bolt

7.0 N·m (71 kgf·cm, 63 in·lbf) for nut

- (a) Refer to the MANUAL OPERATING procedures, fully close the roof.

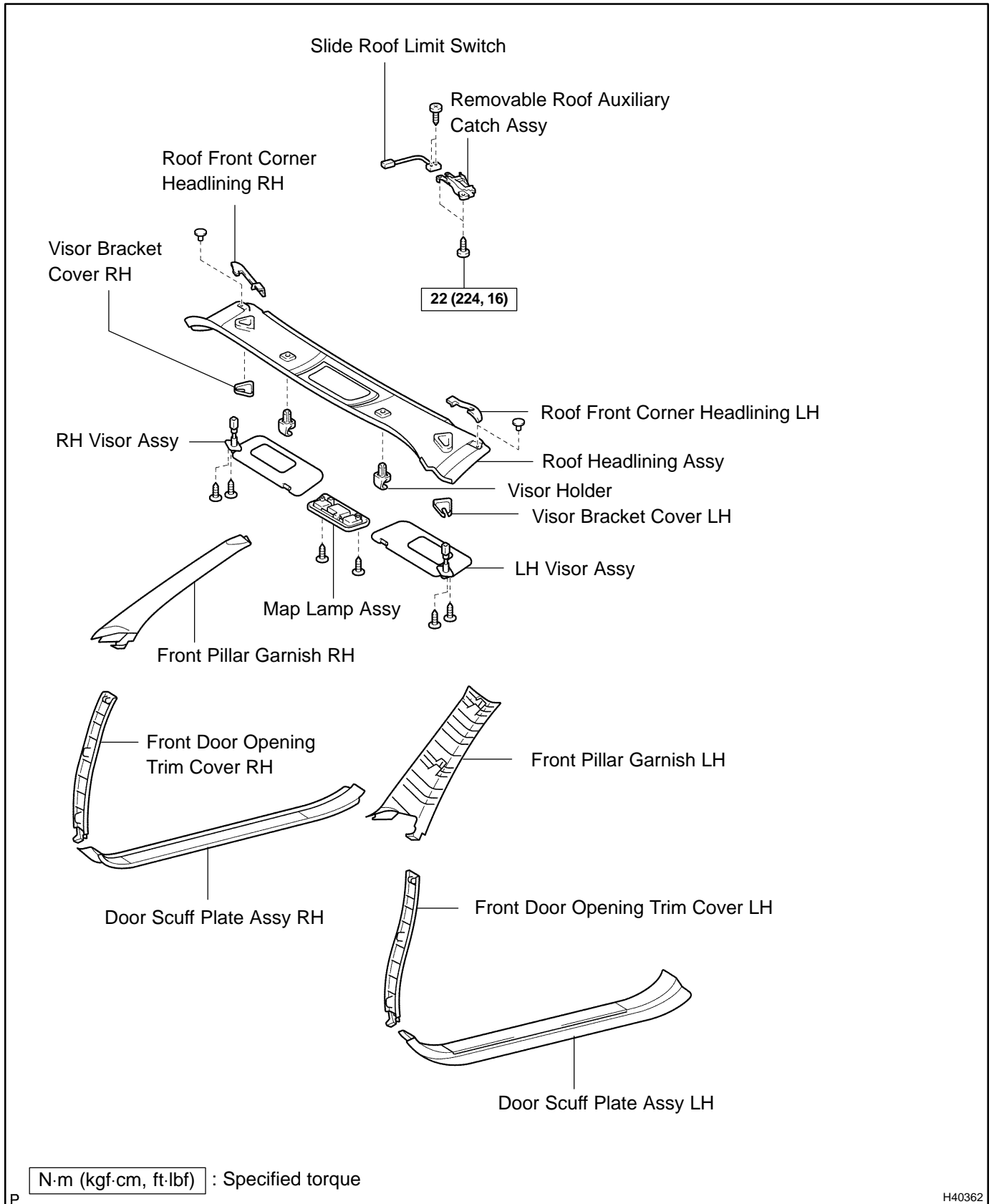
46. **CONNECT CABLE TO NEGATIVE BATTERY TERMINAL**
 47. **PERFORM INITIALIZATION (See page 01-17)**

NOTICE:

Certain systems need to be initialized after disconnecting and reconnecting the cable from the negative (-) battery terminal.

REMOVABLE ROOF AUXILIARY CATCH ASSY COMPONENTS

740D7-01



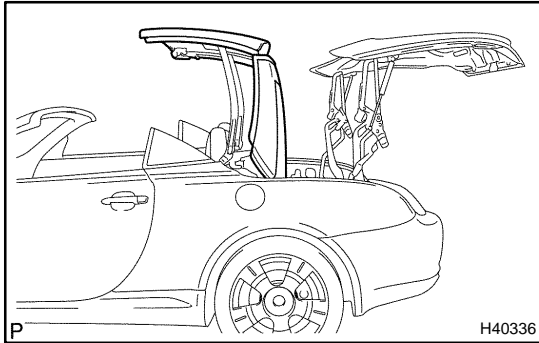
H40362

OVERHAUL

1. DISCONNECT CABLE FROM NEGATIVE BATTERY TERMINAL

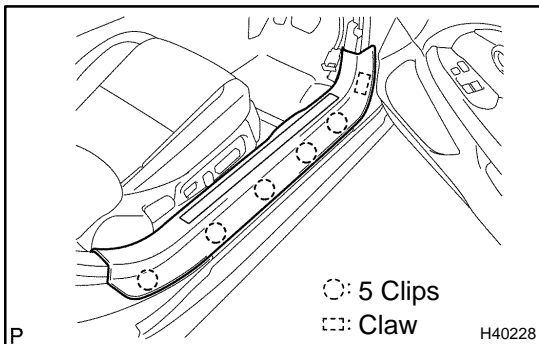
CAUTION:

Wait at least 90 seconds after disconnecting the cable from the negative (-) battery terminal to prevent airbag and seat belt pretensioner activation.



2. HALF OPEN ROOF PANEL

- (a) Refer to the MANUAL OPERATING procedures and half open the roof.



3. REMOVE DOOR SCUFF PLATE ASSY RH

- (a) Using a screwdriver, detach the 5 clips and claw, and remove the scuff plate.

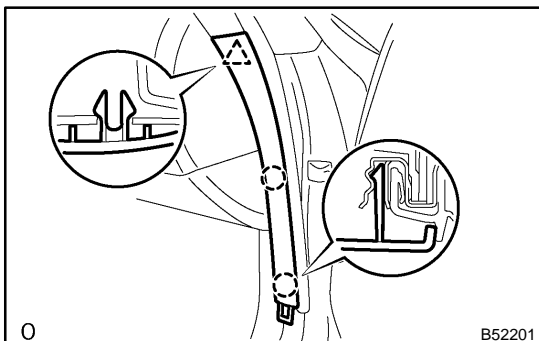
HINT:

Tape the screwdriver tip before use.

4. REMOVE DOOR SCUFF PLATE ASSY LH

HINT:

Use the same procedures described for the RH side.



5. REMOVE FRONT DOOR OPENING TRIM COVER RH

- (a) Using a screwdriver, remove the front door opening trim cover.

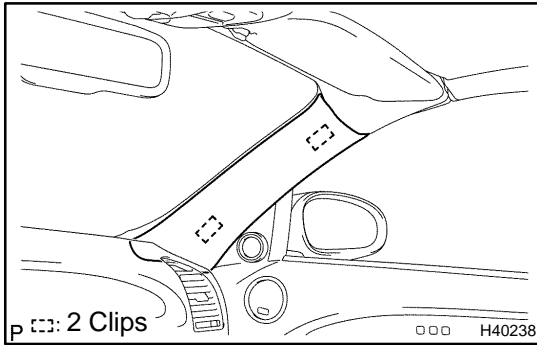
HINT:

Tape the screwdriver tip before use.

6. REMOVE FRONT DOOR OPENING TRIM COVER LH

HINT:

Use the same procedures described for the RH side.



7. REMOVE FRONT PILLAR GARNISH RH

- (a) Using a screwdriver, detach the 2 clips and remove the garnish.

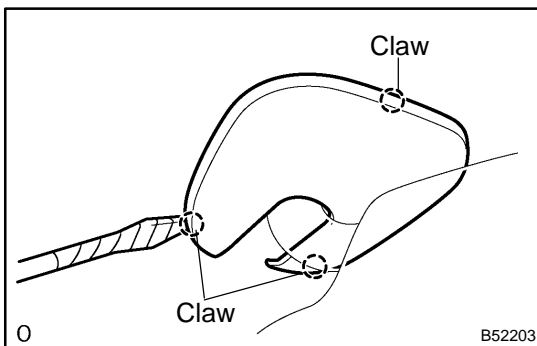
HINT:

Tape the screwdriver tip before use.

8. REMOVE FRONT PILLAR GARNISH LH

HINT:

Use the same procedures described for the RH side.



9. REMOVE VISOR BRACKET COVER RH

- (a) Using a screwdriver, detach the 3 claws and remove the cover.

HINT:

Tape the screwdriver tip before use.

10. REMOVE VISOR BRACKET COVER LH

HINT:

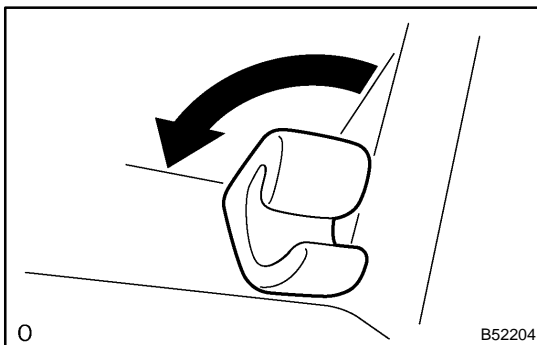
Use the same procedures described for the RH side.

11. REMOVE RH VISOR ASSY

- (a) Remove the 2 screws and visor.

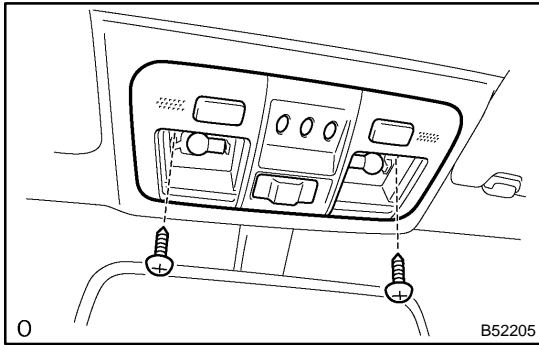
12. REMOVE LH VISOR ASSY

- (a) Remove the 2 screws and visor.



13. REMOVE VISOR HOLDER

- (a) Remove the visor holder by turning it counterclockwise.

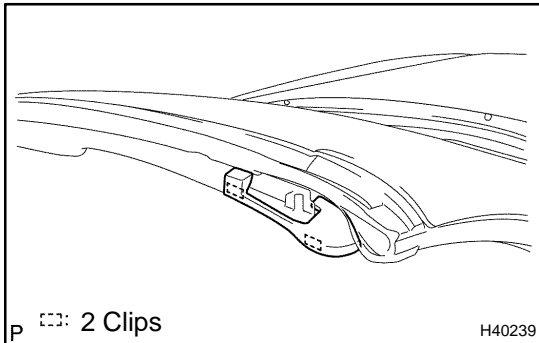
**14. REMOVE MAP LAMP ASSY**

- (a) Using a screwdriver, remove the courtesy lens.

HINT:

Tape the screwdriver tip before use.

- (b) Remove the 2 screws and map lamp.

**15. REMOVE ROOF FRONT CORNER HEADLINING RH**

- (a) Using a screwdriver, detach the 2 clips and remove the corner headlining.

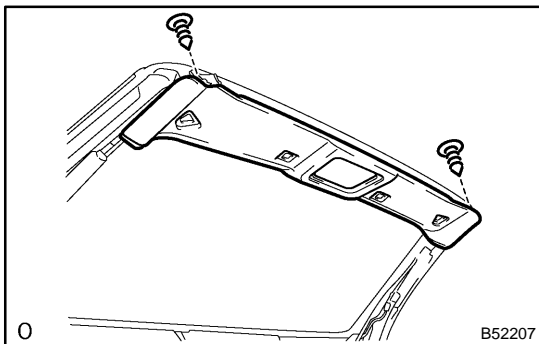
HINT:

Tape the screwdriver tip before use.

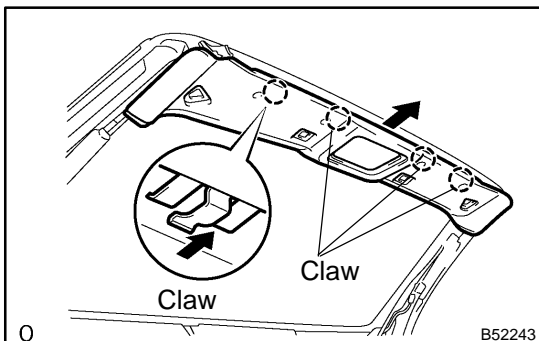
16. REMOVE ROOF FRONT CORNER HEADLINING LH

HINT:

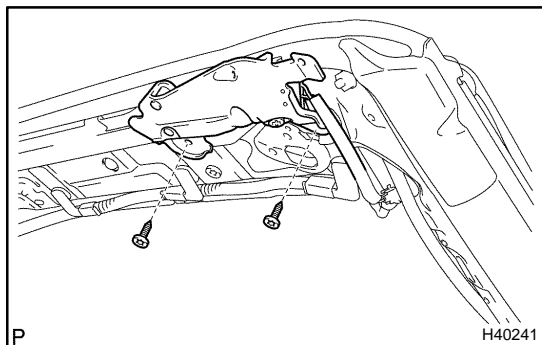
Use the same procedures described for the RH side.

**17. REMOVE ROOF HEADLINING ASSY**

- (a) Using a clip remover, remove the 2 clips.

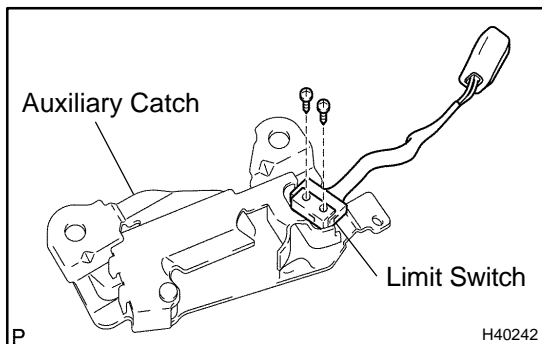


- (b) Remove the roof headlining by taking it out in the vehicle's rear direction.



18. REMOVE REMOVABLE ROOF AUXILIARY CATCH ASSY RH

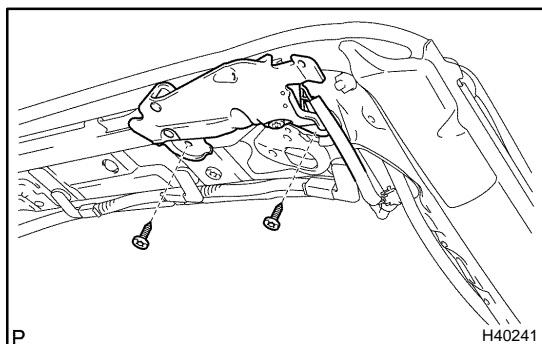
- (a) Disconnect the connector.
- (b) Using a T30 torx[®] socket, remove the 2 screws and auxiliary catch.



19. REMOVE SLIDE ROOF LIMIT SWITCH

- (a) Remove the 2 screws and limit switch from the auxiliary catch.

20. INSTALL SLIDE ROOF LIMIT SWITCH

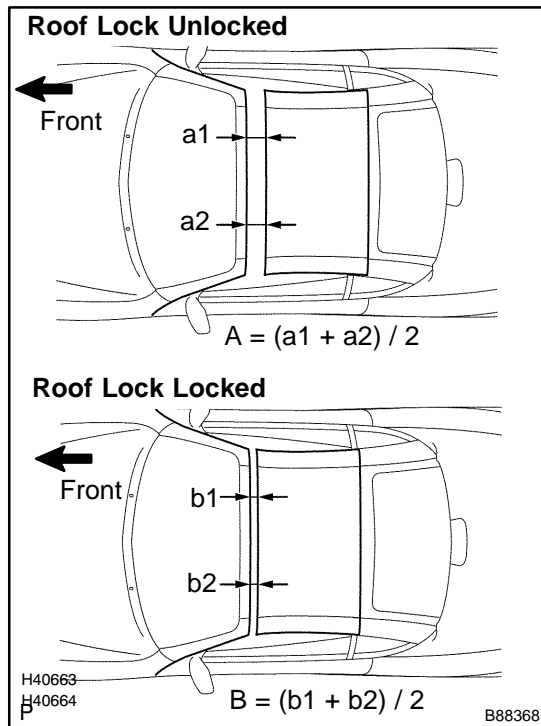


21. TEMPORARILY INSTALL REMOVABLE ROOF AUXILIARY CATCH ASSY RH

- (a) Using a T30 torx[®] socket, temporarily install the auxiliary catch with the 2 screws.

22. ADJUST REMOVABLE ROOF AUXILIARY CATCH ASSY RH

- (a) Close the roof by its own weight from the half open position.



- (b) Measure the retract amount of the roof lock.
- (1) Close the roof by its own weight from the half open position. Measure the distance A between the front header and roof panel at the point where the roof stops without locking.

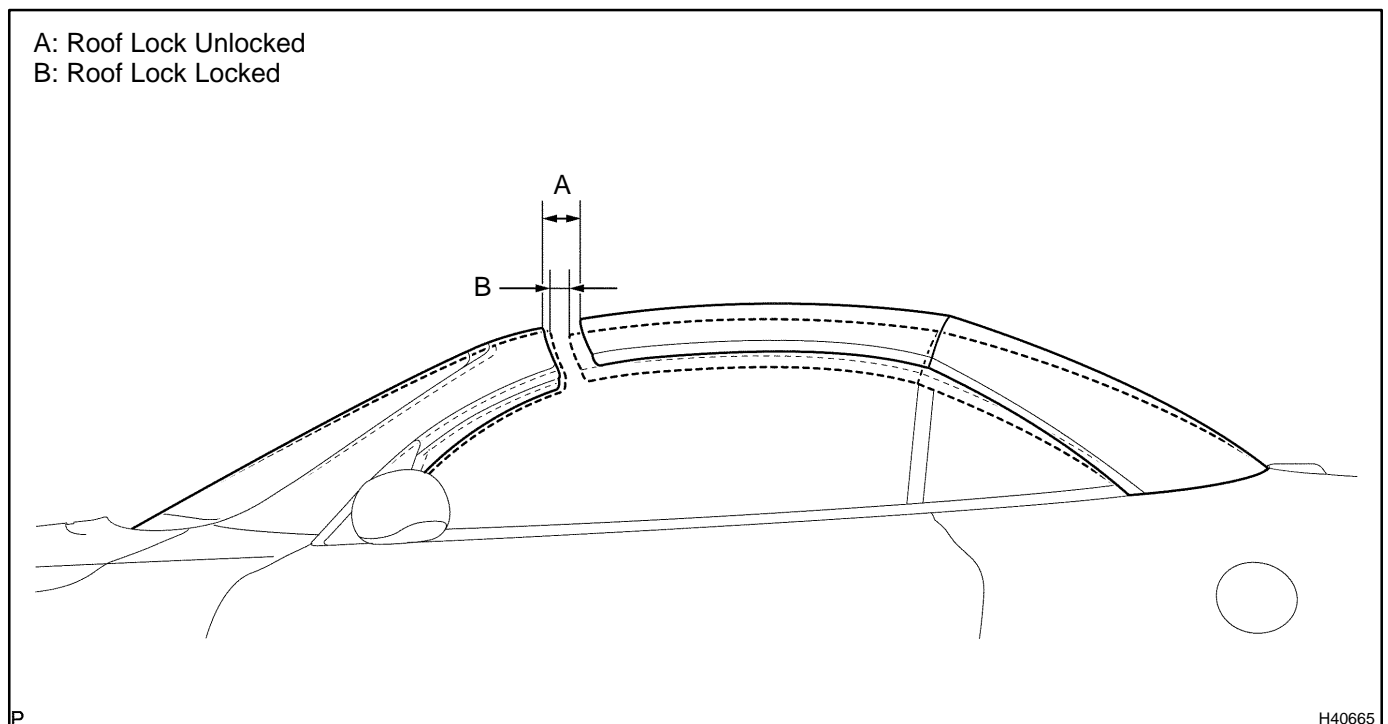
HINT:

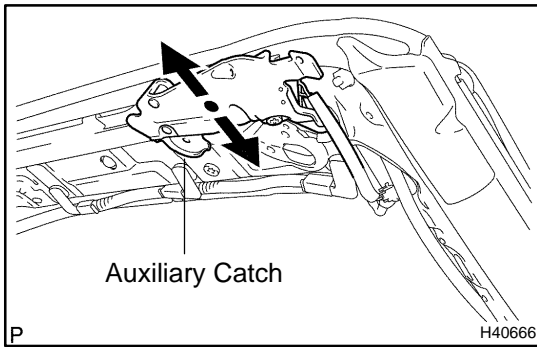
- Measure the retract amount without contact with the roof panel.
 - Mark the point at which the measurement was performed.
- (2) From the position in step (b)-(1), lock the roof and measure the distance B between the front header and roof panel.

HINT:

Measure at the same point as in step (b)-(1).

C (Retract amount of roof lock) = A - B

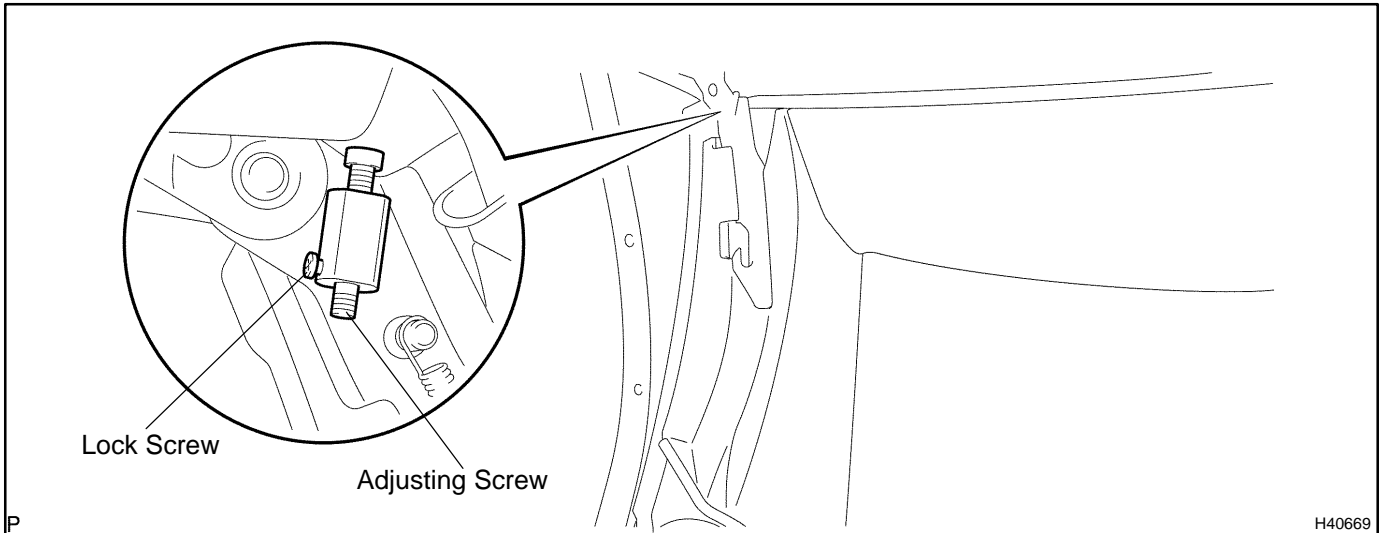




- (c) Adjust the auxiliary catch.
- (1) Using a T 30 torx[®] socket, adjust the removable roof auxiliary catch assy RH to make C within the specified value.

Standard: C = 3.5 ± 1 mm (0.14 ± 0.04 in.)

If C is not as specified, adjust by turning the adjusting screw.



- (d) Using a T30 torx[®] socket, completely install the auxiliary catch with the 2 screws.

Torque: 22 N·m (224 kgf·cm, 16 ft·lbf)

23. INSTALL ROOF HEADLINING ASSY
24. INSTALL ROOF FRONT CORNER HEADLINING LH
25. INSTALL ROOF FRONT CORNER HEADLINING RH
26. INSTALL MAP LAMP ASSY
27. INSTALL VISOR HOLDER
28. INSTALL LH VISOR ASSY
29. INSTALL RH VISOR ASSY
30. INSTALL FRONT PILLAR GARNISH LH
31. INSTALL FRONT PILLAR GARNISH RH
32. CONNECT CABLE TO NEGATIVE BATTERY TERMINAL
33. PERFORM INITIALIZATION (See page 01-17)

NOTICE:

Certain systems need to be initialized after disconnecting and reconnecting the cable from the negative (-) terminal.