

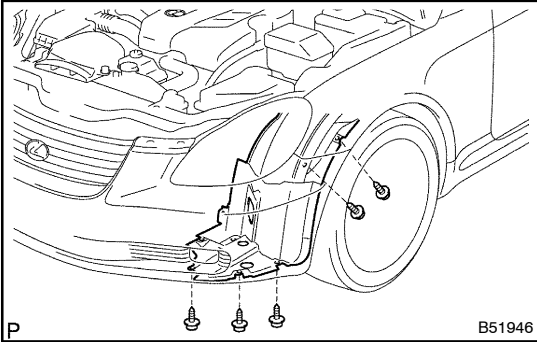
REPLACEMENT

HINT:

Installation is in the reverse order of removal. But, the installation is indicated only when it has a point.

1. REMOVE RADIATOR GRILLE

- (a) Remove the 3 bolts and radiator grille.



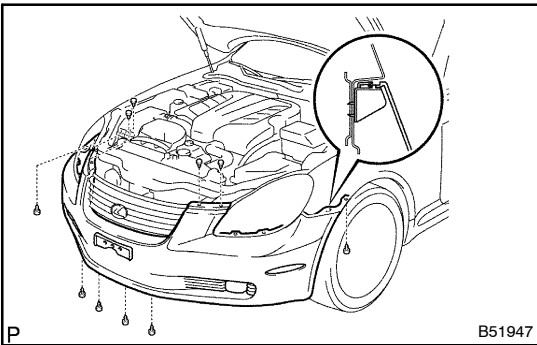
2. REMOVE FRONT FENDER LINER LH

- (a) Remove the 5 screws and a part of the front fender liner LH.

HINT:

Remove the screw and the front fender liner LH within the range that the front bumper cover can be removed.

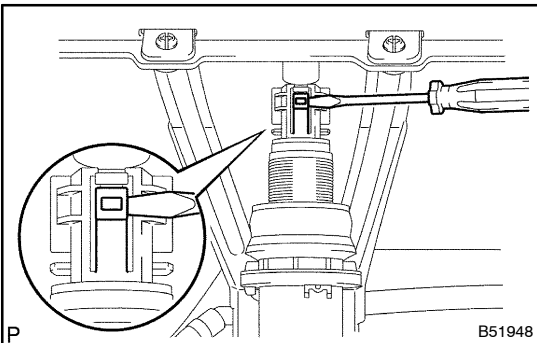
3. REMOVE FRONT FENDER LINER RH



4. REMOVE FRONT BUMPER COVER

- (a) Remove the 6 screws and 4 clips.
 (b) Remove the hook and front bumper cover.
 (c) Disconnect the fog lamp connector.
 (d) Disconnect the washer hose.

5. REMOVE FRONT BUMPER MOULDING



6. REMOVE HEADLAMP WASHER ACTUATOR SUB-ASSY LH

- (a) Remove the clamp.
 (b) Using a screwdriver, pull out the front washer nozzle.
 (c) Remove the 2 clips, bolt and head lamp washer actuator.

7. REMOVE HEADLAMP WASHER ACTUATOR SUB-ASSY RH

8. REMOVE FOG LAMP LAMP UNIT LH

9. REMOVE FOG LAMP LAMP UNIT RH

10. REMOVE FRONT BUMPER HOLE COVER LH

11. REMOVE FRONT BUMPER HOLE COVER RH

12. REMOVE FRONT BUMPER EXTENSION MOUNTING BRACKET

13. REMOVE FRONT BUMPER ENERGY ABSORBER