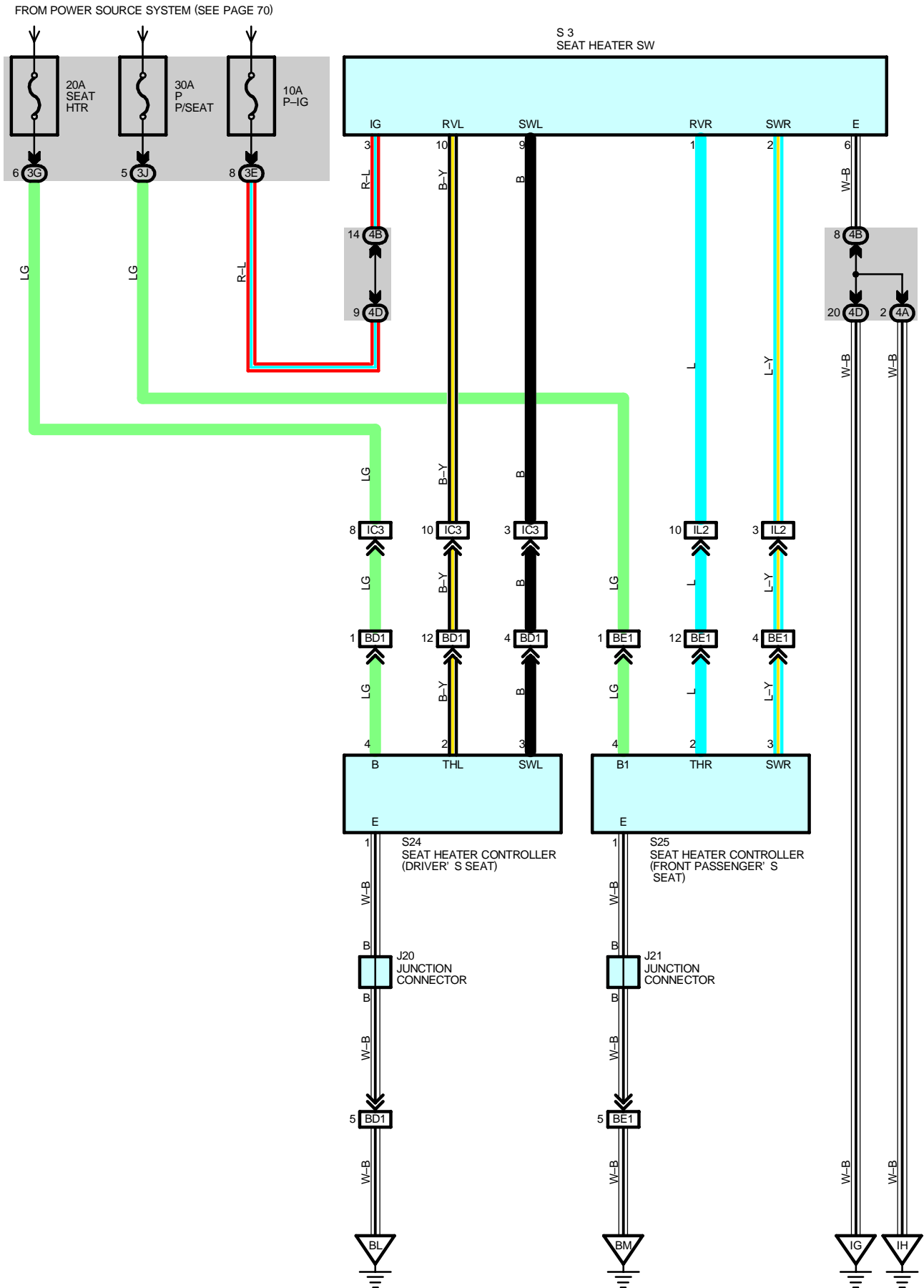


# SEAT HEATER



## SERVICE HINTS

### S3 SEAT HEATER SW

3-GROUND : Approx. 12 volts with ignition SW at **ON** or **ST** position

6-GROUND : Always continuity

### S24 SEAT HEATER CONTROLLER (DRIVER'S SEAT)

4-GROUND : Approx. 12 volts with ignition SW at **ON** or **ST** position

1-GROUND : Always continuity

### S25 SEAT HEATER CONTROLLER (FRONT PASSENGER'S SEAT)

4-GROUND : Always approx. 12 volts

1-GROUND : Always continuity

## ○ : PARTS LOCATION

Code	See Page	Code	See Page	Code	See Page
J20	56	S3	51	S25	56
J21	56	S24	56		

## ○ : JUNCTION BLOCK AND WIRE HARNESS CONNECTOR

Code	See Page	Junction Block and Wire Harness (Connector Location)
3E	34	Instrument Panel Wire and Passenger Side J/B (Right Kick Panel)
3G		
3J	35	Floor Wire and Passenger Side J/B (Right Kick Panel)
4A	38	Instrument Panel Wire and Center J/B (Upper Side of the Glove Box)
4B		
4D		

## □ : CONNECTOR JOINING WIRE HARNESS AND WIRE HARNESS

Code	See Page	Joining Wire Harness and Wire Harness (Connector Location)
IC3	60	Instrument Panel Wire and Floor No.2 Wire (Left Kick Panel)
IL2	62	Instrument Panel Wire and Floor Wire (Right Kick Panel)
BD1	66	Floor No.2 Wire and Front Seat LH Wire (Under the Driver's Seat)
BE1	66	Floor Wire and Front Seat RH Wire (Under the Front Passenger's Seat)

## ▽ : GROUND POINTS

Code	See Page	Ground Points Location
IG	60	LH Side of the Steering Column
IH	60	Under the Steering Column
BL	64	Under the Driver's Seat
BM	64	Under the Front Passenger's Seat