

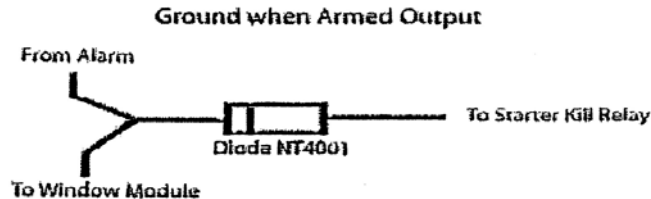
MEGATRONIX

WT4 - SMART 4 WINDOW ROLLUP / 2 WINDOW ROLLUP & DOWN MODULE

DESCRIPTION

The smart window control module is designed to roll up 4 windows or roll up and down 2 windows as well as some other features like automatic or remote control temperature ventilation. This system allows a (-) negative pulse or (-) negative constant trigger input for activation. The microprocessor monitors the security systems arm/disarm state and auxiliary outputs of the security system. This unit also has an auto-sense system that shuts off the smart window controller when windows reach the closed position or if the window's motion becomes obstructed.

ISOLATE DIODE DIAGRAM:



OPERATION INSTRUCTIONS

4 WINDOW ROLL UP MODE:

There are two ways to automatically roll-up the windows:

- Connect the "Ground when armed" output of the security system to the UP Input (Yellow) wire on the module. The windows will roll up when the alarm is armed.
- Connect an Auxiliary Channel output from the security system to the UP Input (Yellow) wire on the module. Windows will roll up by activating the Auxiliary channel on the security system.

2 WINDOW ROLL UP AND DOWN MODE:

Connect an Auxiliary Channel output from the security system to the DOWN Input (Yellow/White) wire on the module. Connect the "Ground when armed" output of the security system to UP Input (Yellow) wire on the module.

- Windows will roll all the way down by activating Auxiliary Channel if security system is disarmed.
- Windows will open 2-inch vent when activating Auxiliary Channel when security system is armed.

Note: The Vent Feature will not work if the UP Input on the module is activated by a negative pulse output of the security system (i.e. Auxiliary Channel). The UP Input must be activated by a constant negative output of the security system (i.e. Starter Kill). Connection to the "Ground when armed" output of the security system is necessary for Vent Feature.

AUTOMATIC TEMPERATURE CONTROL VENTING: (2 WINDOWS UP/DOWN MODE ONLY)

This module is equipped with an Automatic Ventilation System that rolls the windows down 2 inches if the temperature inside the vehicle exceeds 100 degrees Fahrenheit. The system will roll the windows back up when the temperature drops below 100 degrees Fahrenheit.

INSTALLATION INSTRUCTIONS

CAUTION:

1. When mounting module, place it as close as possible to window switch.
2. Insulate from moisture when installing module inside the door.
3. Do not mount unit directly or close to any heat source as this will unit to falsely vent.
4. Use a diode on the "Ground when armed" output to prevent feedback from the starter kill relay.
 - This will prevent module from operating irregularly.

NOTE: This module will not drive a relay, and bench tests are ineffective if there is no moving motor present on the outputs. If the vehicle is equipped with any type of factory *Automatic Full-Travel One-Touch Window System*, ensure that you interface this module directly to the motor wires and not to any other factory control module that may be in between the master window switch and motor.

POWER WINDOW CIRCUITS:

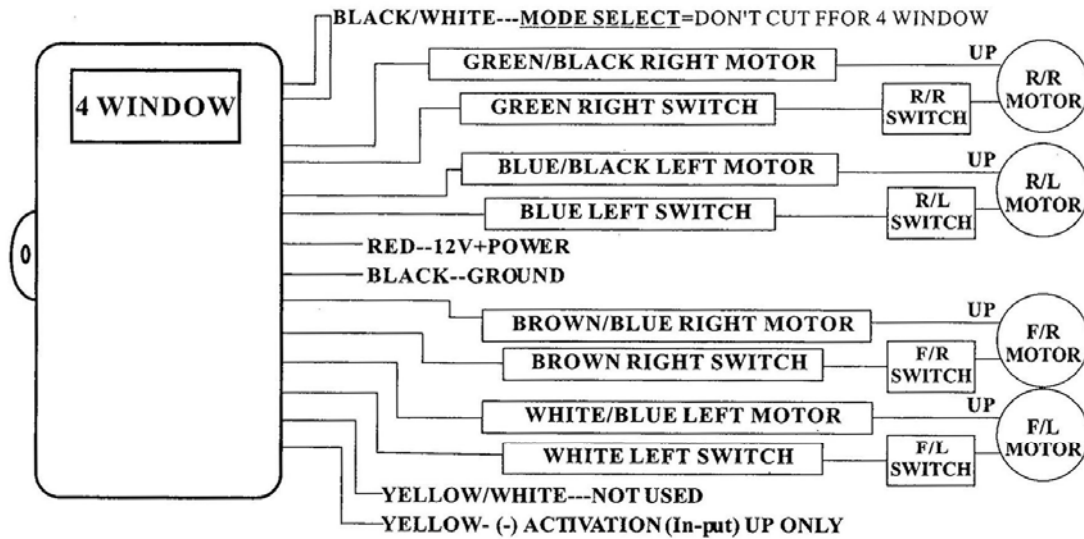
We will only describe the switch and motor wiring for two types of window circuits:

TYPE-A: Motor leads of the switches do not change state when the ignition key is turned ON. The leads either rest at ground or rest "open" (not grounded or at 12Volts).

TYPE-B: Switch leads rest at ground when ignition key OFF, but rest at 12Volts when ignition key ON. Which wire gets 12Volts and which wire gets ground depends on the direction of you wish the motor to travel. The switch must be able to reverse these connections. Window motors work on this principle, which is called reverse polarity.

A12VDC motor have (+) 12V on one of its leads and (-) ground on the other in order for it to operate. Most window witches are connected directly to the window motor wires. The switch while at rest, may connect both these wires to (-) ground, or both to (+) 12V ignition, or leave both wires open, but all three types have one thing in common: When activated, the switch will be sending (+) 12V on one wire and (-) ground on the other.

4 Window Roll-Up Module



2 Window Roll-Up & Down Module

