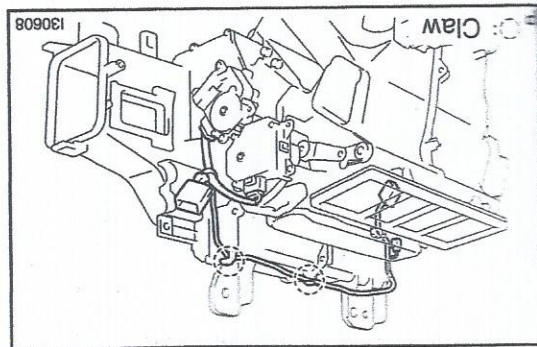


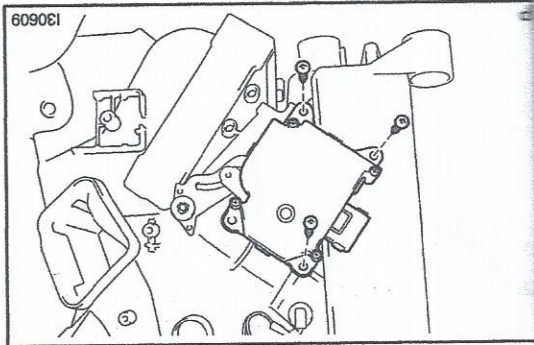
58. REMOVE WIRING AIR CONDITIONING HARNESS SUB-ASSY

- (a) Release the claws, disconnect the 4 connectors.
- (b) Remove the wiring air conditioning harness sub-assy.
- (c) Remove the No. 1 cooler thermistor.



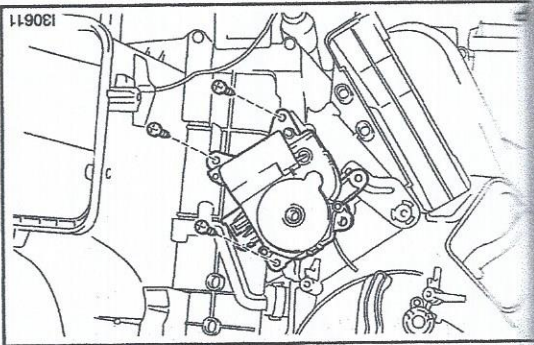
59. REMOVE DAMPER SERVO SUB-ASSY

- (a) Remove the 3 screws and damper servo sub-assy.



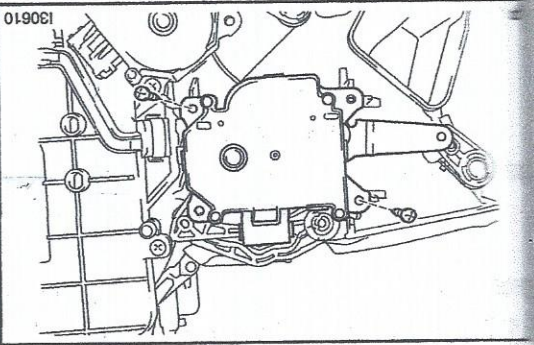
60. REMOVE AIRMIX DAMPER SERVO SUB-ASSY

- (a) Remove the 3 screws and airmix damper servo sub-assy.



61. REMOVE MODE DAMPER SERVO SUB-ASSY

- (a) Remove the 2 screws and mode damper servo sub-assy.



62. REMOVE DAMPER SERVO SUB-ASSY

- (a) Disconnect the rod from the damper servo sub-assy.
- (b) Remove the 2 screws and damper servo sub-assy.

