

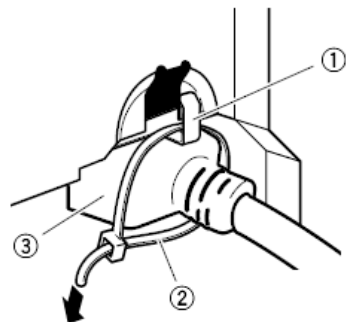
Note

For details on how to connect an external device using a separately sold cable, refer to the manual for the cable.

Securing the High Speed HDMI® Cable

Be sure to fix the High Speed HDMI® Cable with the lock tie, when you connect the external device with the High Speed HDMI®

2 **Wrap the lock tie around the hook above the HDMI port and the High Speed HDMI® Cable, and then tighten it to secure the High Speed HDMI® Cable.**



- ① Hook
- ② Lock tie
- ③ High Speed HDMI® Cable
- Do not tighten up the lock tie more than necessary.

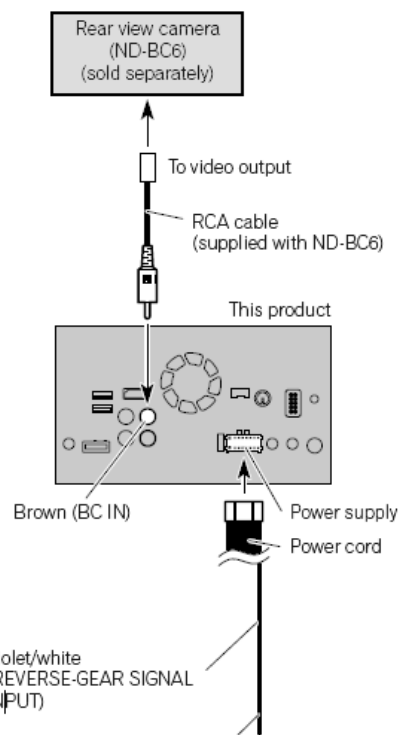
Connecting a rear view camera

When this product is used with a rear view camera, it is possible to automatically switch from the video to rear view image when the shift lever is moved to REVERSE (R). **Camera View** mode also allows you to check what is behind you while driving.

WARNING

USE INPUT ONLY FOR REVERSE OR

displayed when backing and when checking the rear of the vehicle while moving forward.



Violet/white (REVERSE-GEAR SIGNAL INPUT)

For more details about the wiring, refer to Connecting the power cord on page 67.

Connecting the external video component

Using AV input

