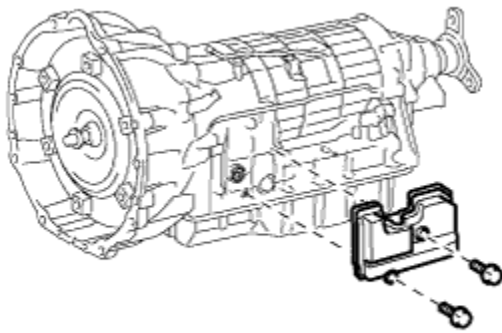


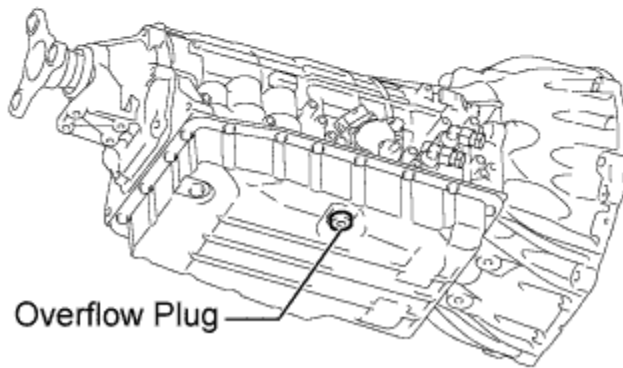
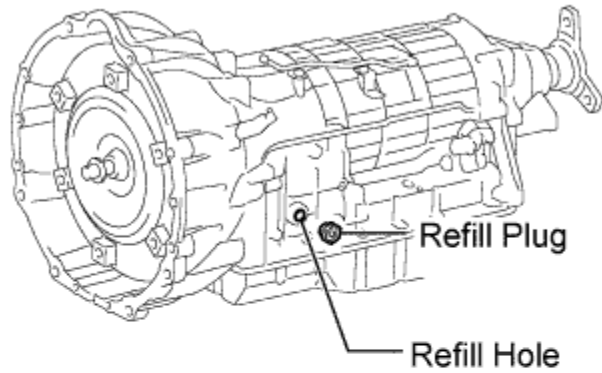
## 1. BEFORE REFILL TRANSMISSION

- This transmission requires Toyota Genuine ATF WS transmission fluid.
- After servicing the transmission, you must refill the transmission with the correct amount of fluid.
- Maintain the vehicle in a horizontal position while adjusting the fluid level.
- If the entire transmission, transmission pan, drain plug, valve body and/or torque converter is replaced, proceed to the "FILL TRANSMISSION PAN" procedures.
- If the transmission hose, output shaft oil seal and/or radiator is replaced, remove the 2 bolts, transmission case cover and refill plug, and then proceed to the "FILL TRANSMISSION" procedures.

## 2. FILL TRANSMISSION PAN

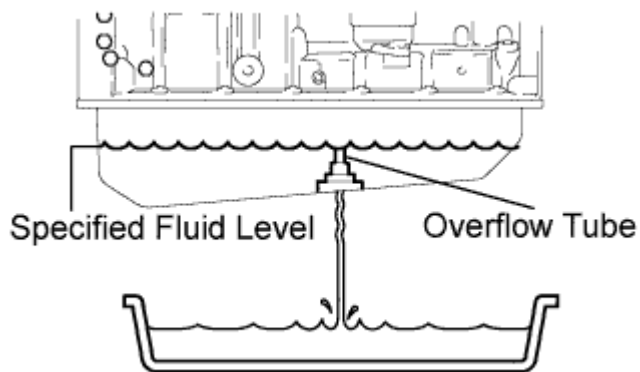


- a. Remove the 2 bolts and transmission case cover.



P

- b.** Remove the refill plug and overflow plug.



P

- c.** Fill the transmission through the refill hole until fluid begins to trickle out from the overflow tube.
- d.** Reinstall the overflow plug.

### 3. FILL TRANSMISSION

- a. Fill the transmission with the amount of fluid listed in the table below.
- b. Reinstall the refill plug to prevent the fluid from splashing.

#### Standard capacity:

Repair	Specified Condition
Transmission pan and drain plug removal	1.3 liters (1.4 US qts, 1.1 Imp. qts)
Transmission valve body removal	3.9 liters (4.1 US qts, 3.4 Imp. qts)
Torque converter removal	5.3 liters (5.6 US qts, 4.75 Imp. qts)

#### HINT:

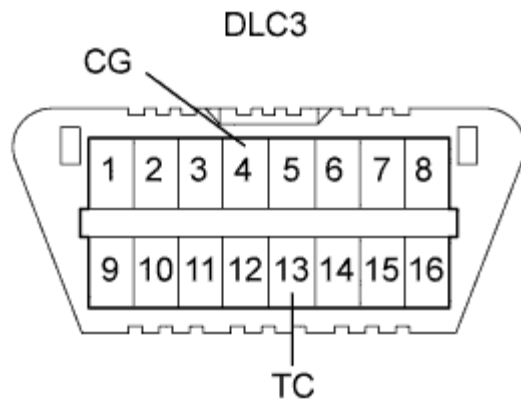
If the amount of fluid listed in the table cannot be added, perform the next step.

- c. When the amount of fluid listed in table cannot be added:
  - i. Install the refill plug.
  - ii. Allow the engine to idle with the air conditioning OFF.
  - iii. Move the shift lever through the entire gear range to circulate fluid.
  - iv. Wait 30 seconds with the engine idling.
  - v. Stop the engine.
  - vi. Remove the refill plug and add fluid.
  - vii. Reinstall the refill plug.

### 4. PERFORM FLUID CIRCULATION

- a. Allow the engine to idle with the air conditioning OFF.
- b. Move the shift lever through the entire gear range to circulate fluid.

### 5. CHECK FLUID TEMPERATURE



- a.** Using SST, connect terminals TC and CG of the DLC3.

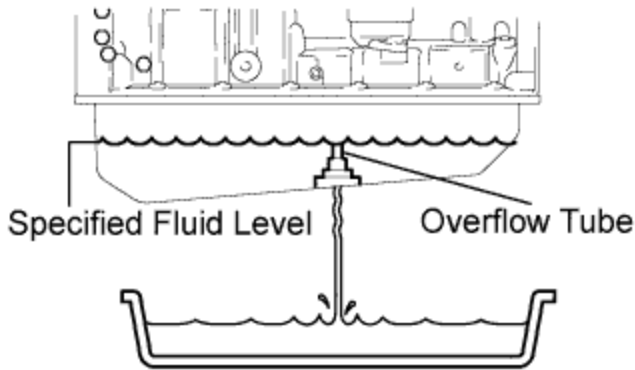
**SST**  
**09843-18040**

- b.** Move the shift lever back and forth between N and D at 1.5 second intervals for 6 seconds.
- c.** The D indicator turns on for 2 seconds when the combination meter starts to detect the fluid temperature.
- d.** The D indicator turns on again when the fluid temperature reaches 46°C (115°F) and blinks when it exceeds 56°C (130°F).
- e.** Allow the engine to idle until the fluid temperature reaches 46°C (115°F).

**HINT:**

The fluid temperature should be less than 30°C (86°F) before starting the engine.

**6. CHECK FLUID LEVEL**



P

**NOTICE:**

The fluid temperature must be between 46°C (115°F) and 56°C (130°F) to check the fluid level.

- a. Remove the overflow plug with the engine idling.
- b. Check that the fluid comes out of the overflow tube.  
If fluid does not come out, proceed to step 7.  
If fluid comes out, wait until the overflow slows to a trickle and proceed to step 8.

## 7. TRANSMISSION REFILL

- a. Install the overflow plug.
- b. Stop the engine.
- c. Remove the refill plug.
- d. Add 0.4 liters (0.21 US qts, 0.18 Imp. qts) of fluid.
- e. Allow the engine to idle and wait for 10 seconds.
- f. Proceed to step 6.

## 8. COMPLETE

- a. Install the overflow plug and a new gasket.

**Torque:**

**20 N\*m{ 205 kgf\*cm , 15 ft.\*lbf }**

- b.** Stop the engine.
- c.** Install the refill plug and a new gasket.

**Torque:**

**39 N\*m{ 398 kgf\*cm , 29 ft.\*lbf }**

- d.** Install the transmission case cover with the two bolts.