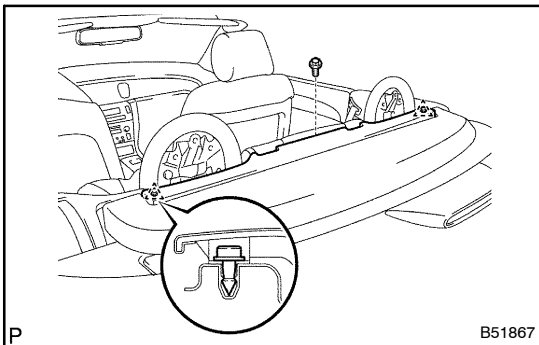


## REPLACEMENT

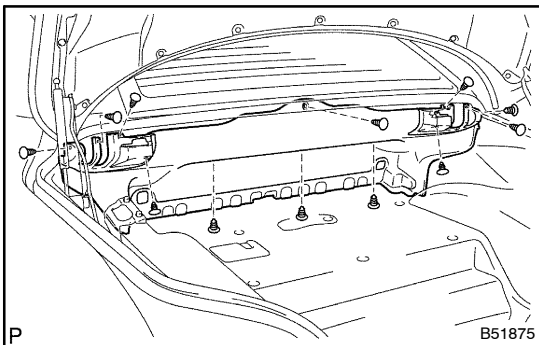
### HINT:

- Installation is in the reverse order of the removal. But, the installation is indicated only when it has a point.
  - In the LH side, work in the same procedure as in the RH side.
  - See the components' drawing of rear seat belt in page 61-9.
1. REMOVE REAR SEAT CUSHION ASSY (See page 72-8)
  2. REMOVE REAR SEAT HEADREST PLATE COVER (See page 72-8)
  3. REMOVE WIND DEFLECTOR BOARD ASSY (See page 72-8)
  4. REMOVE REAR SEAT HEADREST PLATE (See page 72-8)
  5. REMOVE REAR SEAT HEADREST ASSY (See page 72-8)
  6. REMOVE REAR SEAT BACK ASSY (See page 72-8)



### 7. REMOVE REAR SEAT BACK BOARD

- (a) Remove the bolt.
- (b) Remove the 2 clips and rear seat back board.



### 8. REMOVE LUGGAGE COMPARTMENT TRIM COVER FRONT

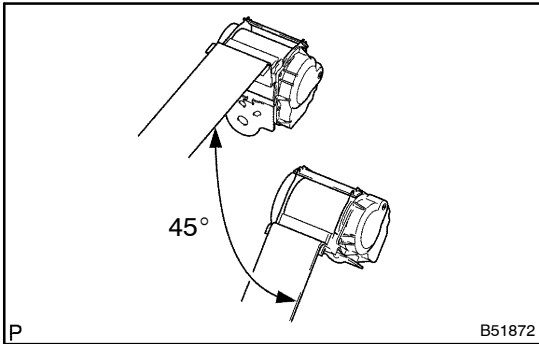
- (a) Using a screwdriver, remove the 2 caps.
- (b) Remove the 2 nuts and the tonneau cover assembly.
- (c) Remove the 12 clips and luggage compartment trim cover.

### 9. REMOVE REAR SEAT BELT ASSY OUTER

- (a) Remove the bolt and floor anchor.
- (b) Remove the 2 bolts and rear seat belt assembly.

### 10. REMOVE REAR SEAT BELT ASSY INNER

- (a) Remove the bolt and the rear seat outer belt.



## 11. INSTALL REAR SEAT BELT ASSY OUTER

- (a) Check the degree of tilt when the ELR lock begins
- (1) Make sure that belt cannot be pulled out by over 45 degrees of tilt.

**NOTICE:**

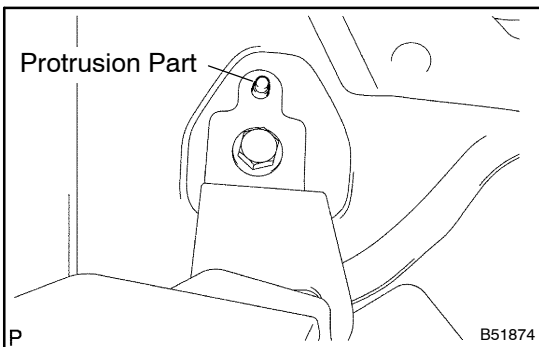
**Do not disassemble the retractor.**

- (b) Install the rear seat belt assembly with the 2 bolts.

**Torque:**

**Upper side: 7.5 N·m (77 kgf·cm, 66 in·lbf)**

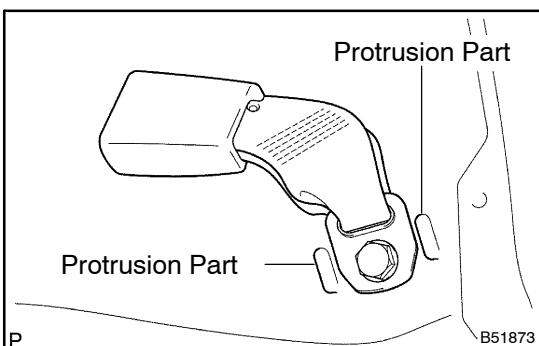
**Lower side: 42 N·m (428 kgf·cm, 31 ft·lbf)**



- (c) Install the floor anchor with the bolt.
- Torque: 42 N·m (428 kgf·cm, 31 ft·lbf)**

- (d) Check the ELR lock.

- (1) Check that the seat belt is locked when the seat belt is pulled out quickly with the seat belt installed with the vehicle.



## 12. INSTALL REAR SEAT BELT ASSY INNER

- (a) Install the rear seat outer belt with the bolt.

**Torque: 42 N·m (428 kgf·cm, 31 ft·lbf)**

**NOTICE:**

**Do not make the anchor part run onto the protrusion part of the floor panel.**