

REPLACEMENT

HINT:

Installation is in the reverse order of removal. But, the installation is indicated only when it has a point.

1. REMOVE LUGGAGE COMPARTMENT DOOR COVER

- (a) Remove the 19 clips and luggage compartment door cover.

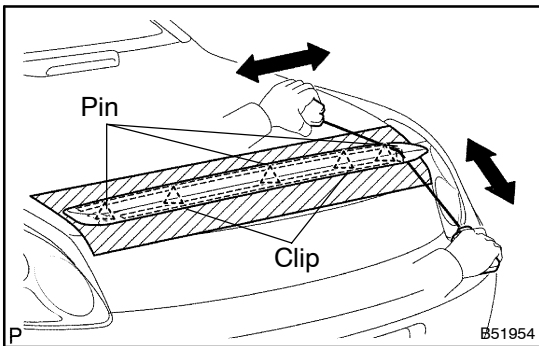
2. REMOVE REAR SPOILER SUB-ASSY

- (a) Remove the 2 nuts.
 (b) Put protective tape.
 (c) Using a heat light, heat the spoiler to 40 – 60°C (104 – 140°F).

NOTICE:

Do not heat the spoiler excessively.

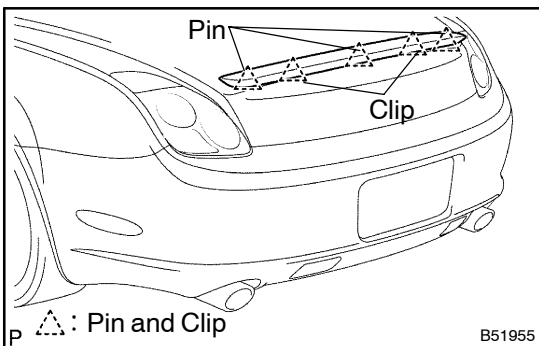
- (d) Tie both piano wire ends to a wooden block or similar object.



- (e) Scrape the adhesive tape off by pulling the piano wire as shown in the illustration.

NOTICE:

- **If reusing the rear spoiler, take care not to damage the rear spoiler.**
- **Do not damage the body.**



- (f) Remove the 2 clips and 3 pin and rear spoiler.

3. INSTALL REAR SPOILER SUB-ASSY

- (a) Using a heat light, heat the body mounting surface to 40 – 60°C (104 – 140°F).

NOTICE:

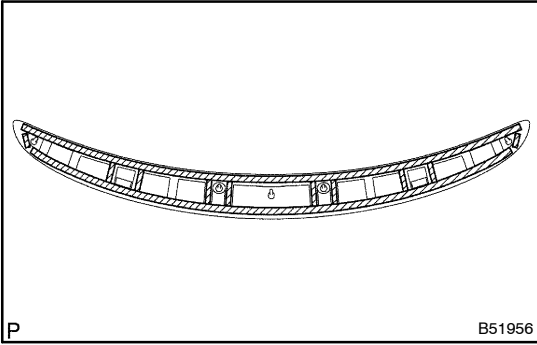
Do not heat the body excessively.

- (b) Remove the protective tape from the body.
 (c) Wipe off stains with cleaner.
 (d) Clean the rear spoiler (if reusing the spoiler).
 (1) Using a heat light, heat the rear spoiler to 40 – 60°C (104 – 140°F).

NOTICE:

Do not heat the spoiler excessively.

- (2) Remove the adhesive tape from the rear spoiler.
 (3) Wipe off stains with cleaner.



- (4) Install new adhesive tape to the rear spoiler as shown in the illustration.