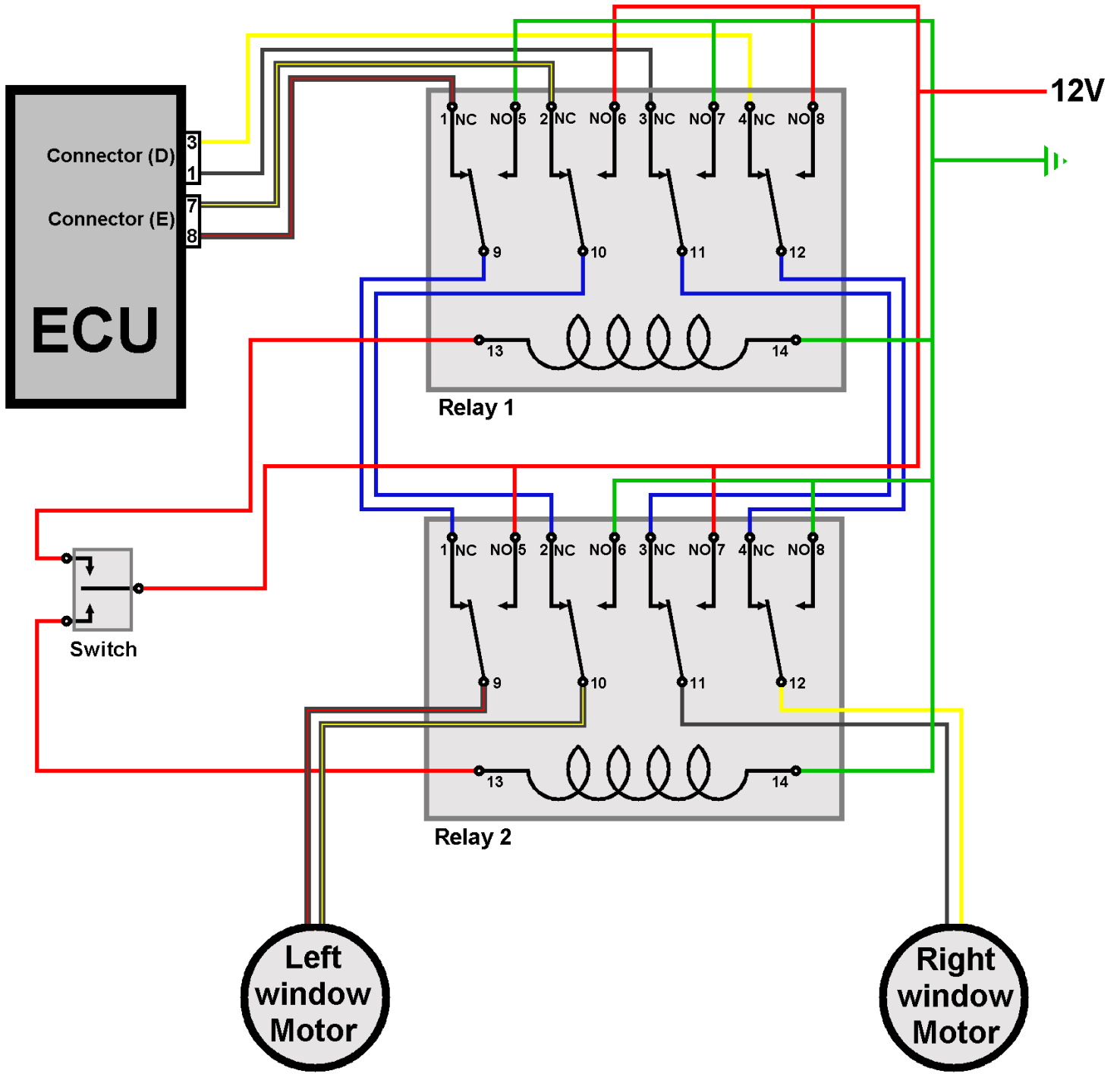


Quarter window mod Wiring Diagram



By SCYUL