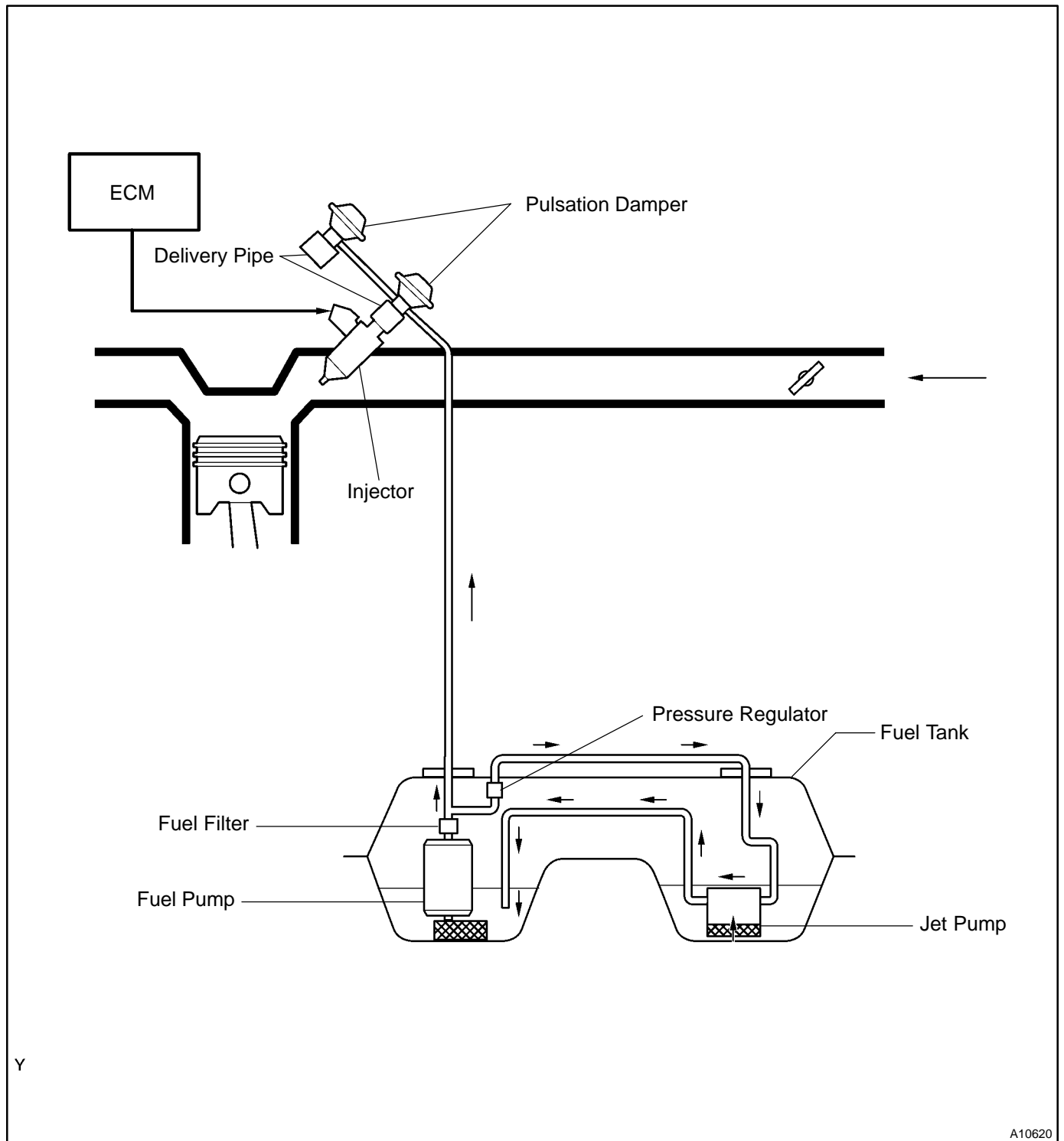


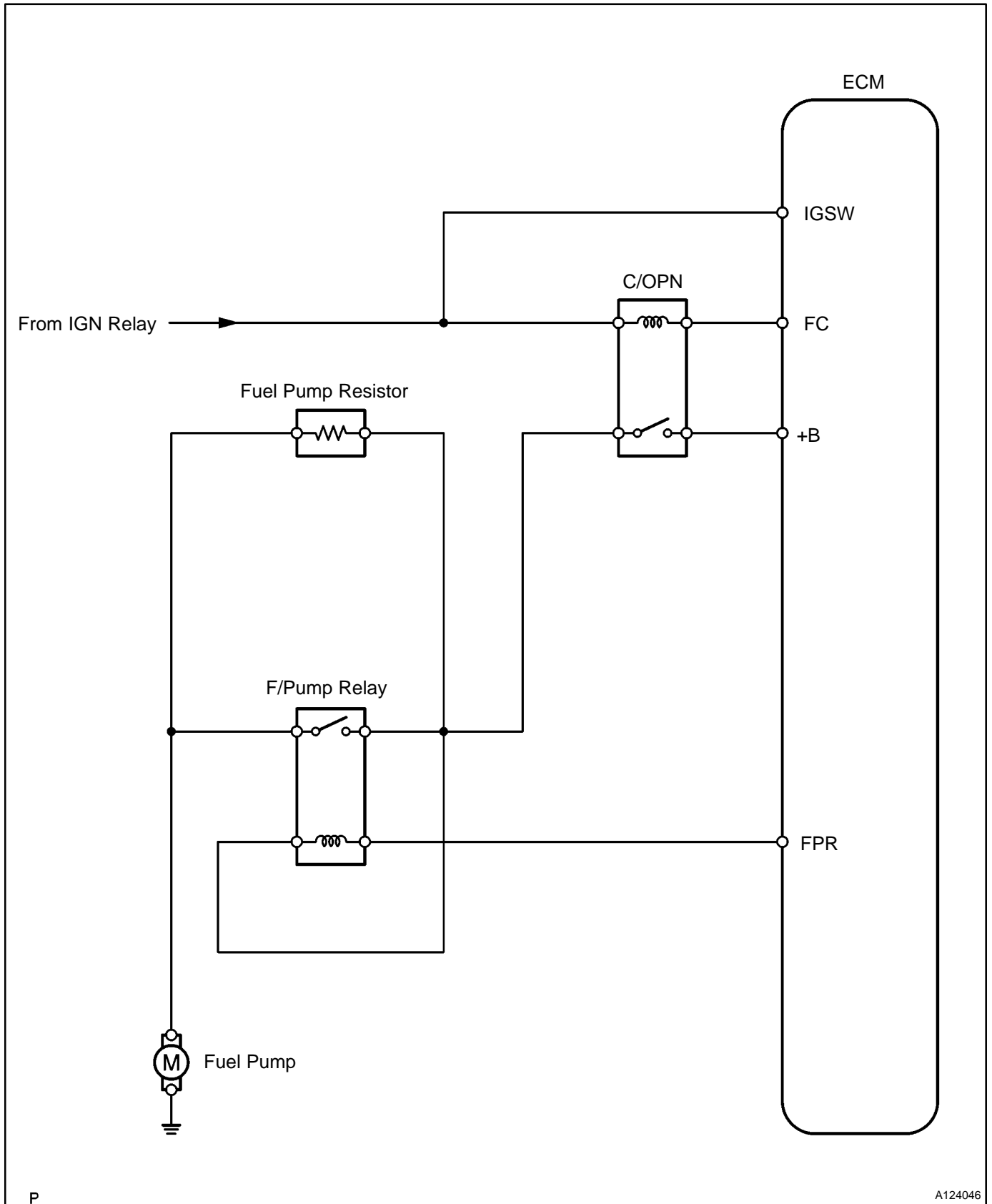
SYSTEM DIAGRAM

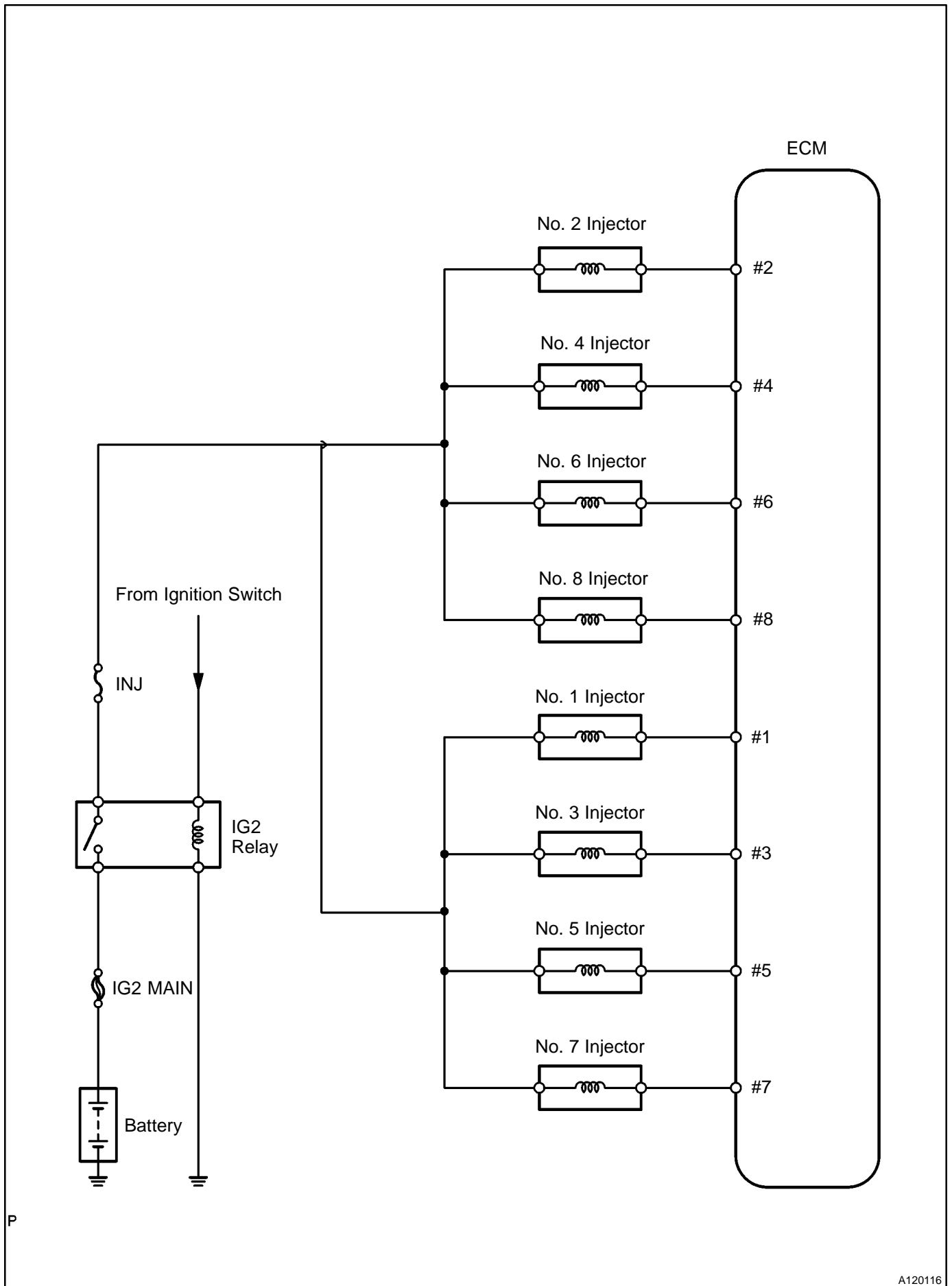


Y

A10620

The fuel system is controlled by the ECM based on signals from various sensors.





P

A120116