

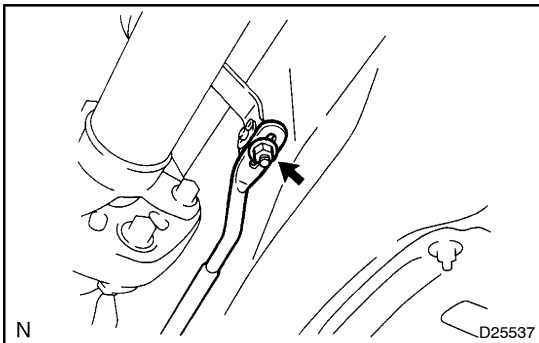
# FLOOR SHIFT ASSY OVERHAUL

400D2-01

HINT:

COMPONENTS: [See page 40-2](#)

1. REMOVE CONSOLE UPPER PANEL GARNISH REAR
2. REMOVE CONSOLE PANEL SUB-ASSY UPPER
3. REMOVE FRONT FLOOR BRACE CENTER  
([See page 30-4](#))
4. REMOVE RR SUSPENSION MEMBER BRACE REAR LOWER LH  
([See page 30-4](#))
5. REMOVE RR SUSPENSION MEMBER BRACE REAR LOWER RH  
([See page 30-4](#))
6. SEPARATE OXYGEN SENSOR  
([See page 30-4](#))
7. REMOVE EXHAUST PIPE ([See page 30-4](#))
8. REMOVE FRONT FLOOR HEAT INSULATOR NO.1  
([See page 30-4](#))
9. REMOVE PARKING BRAKE CABLE HEAT INSULATOR  
([See page 30-4](#))

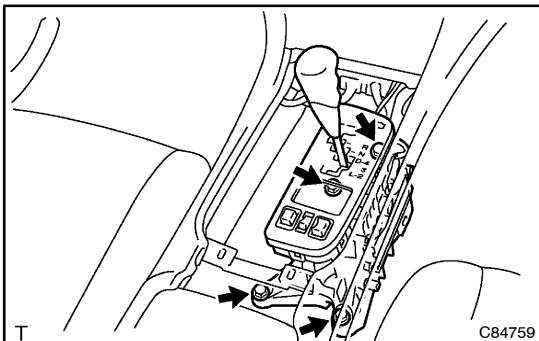


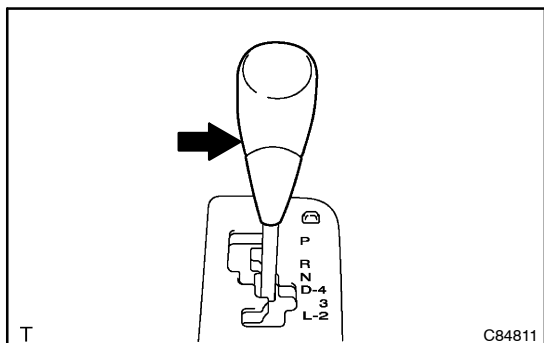
## 10. SEPARATE FLOOR SHIFT GEAR SHIFTING ROD SUB-ASSY

- (a) Move the shift lever to the N range.
- (b) Remove the nut and disconnect the shifting rod from the connecting rod swivel.

## 11. REMOVE FLOOR SHIFT ASSY

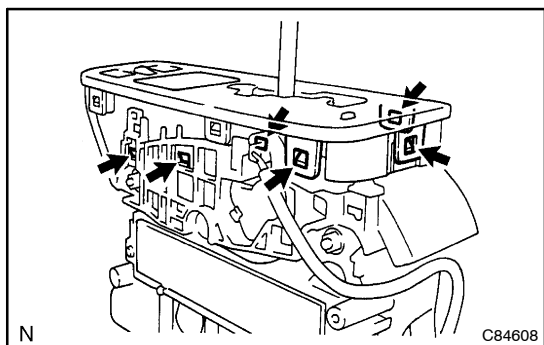
- (a) Disconnect the 4 connectors.
- (b) Remove the 4 bolts and floor shift assy.





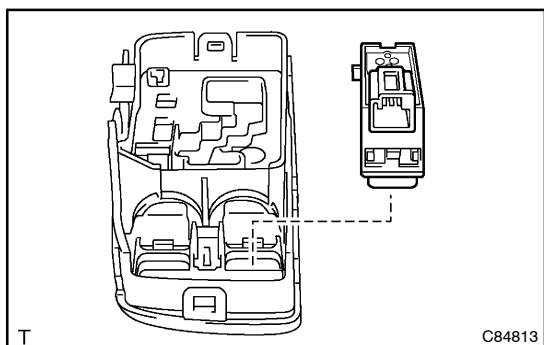
## 12. REMOVE FLOOR SHIFT SHIFT LEVER KNOB SUB-ASSY

- (a) Remove the floor shift lever knob from the shift lever.



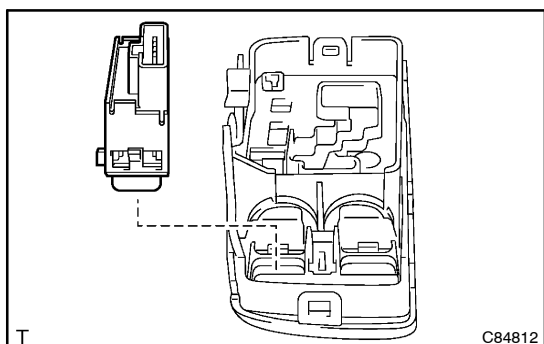
## 13. REMOVE SHIFT POSITION INDICATOR

- (a) Release the 6 claws with a screwdriver and remove the shift position indicator.



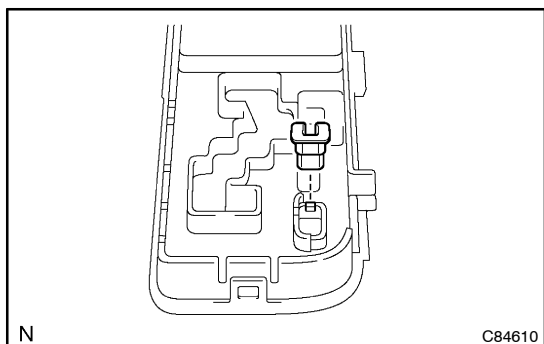
## 14. REMOVE VEHICLE STABILITY CONTROL SWITCH

- (a) Using a screwdriver, remove the VSC OFF switch from shift position indicator.



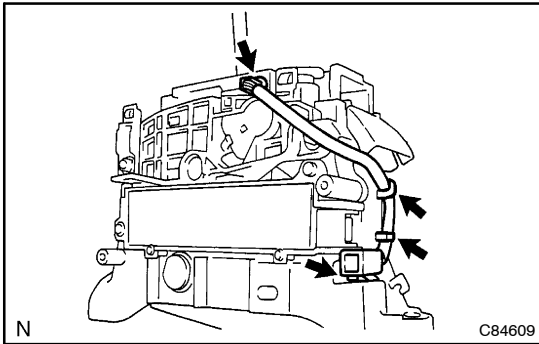
## 15. REMOVE PATTERN SELECT SWITCH ASSY NO.1

- (a) Using a screwdriver, remove the pattern select switch from shift position indicator.

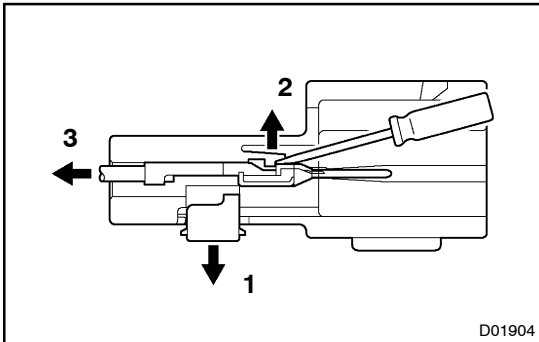


## 16. REMOVE SHIFT LOCK RELEASE BUTTON

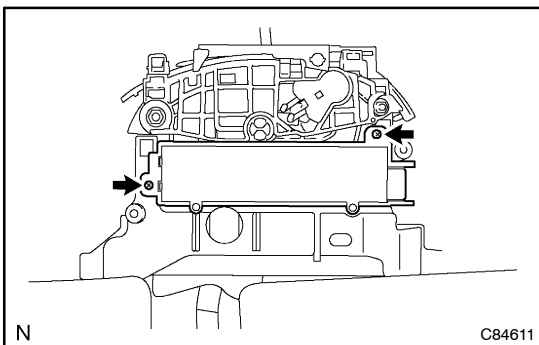
- (a) Remove the shift lock release button from the shift position indicator.

**17. REMOVE INDICATOR LAMP WIRE SUB-ASSY**

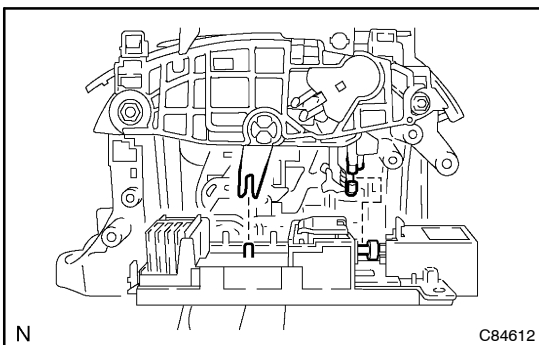
- (a) Remove the indicator lamp wire sub-assy.



- (b) Remove the bulb from the indicator lamp wire sub-assy.  
 (c) Using a small screwdriver, remove the terminals of the indicator lamp wire sub-assy from the connector, as shown in the illustration.

**18. REMOVE SHIFT LOCK CONTROL ECU SUB-ASSY**

- (a) Remove the 2 screws and the shift lock control ECU.

**19. INSTALL SHIFT LOCK CONTROL ECU SUB-ASSY**

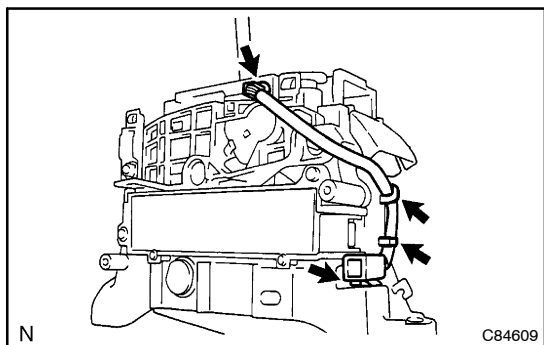
- (a) Install the shift lock control ECU and 2 screws to the shift lever plate.

**NOTICE:**

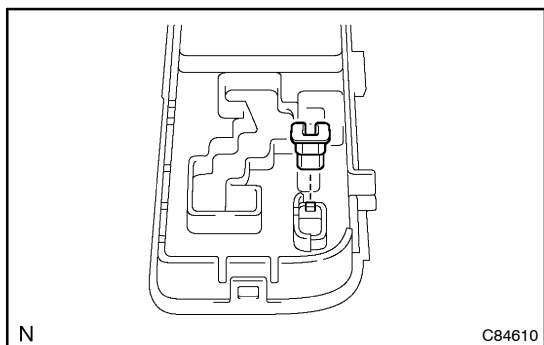
**Align the 2 grooves as shown in the illustration.**

**20. INSTALL INDICATOR LAMP WIRE SUB-ASSY**

- (a) Connect the 2 wire harnesses of the indicator lamp wire sub-assy to the connector.  
 (b) Install the bulb to the indicator lamp wire sub-assy.

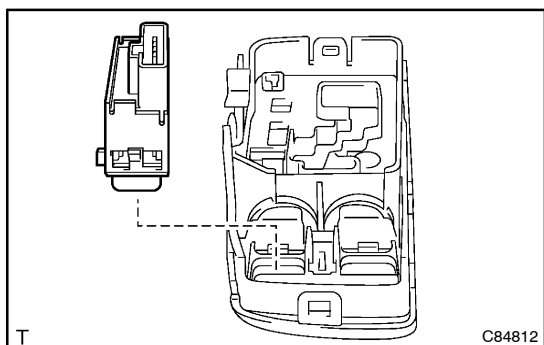


- (c) Install the indicator lamp wire sub-assy as shown in the illustration.



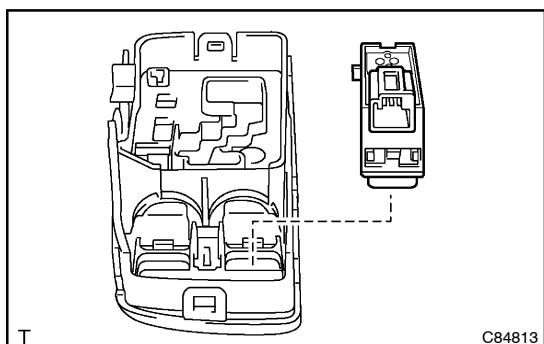
## 21. INSTALL SHIFT LOCK RELEASE BUTTON

- (a) Install the shift lock release button to the shift position indicator.



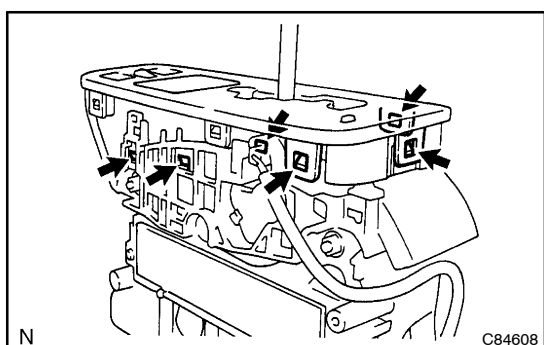
## 22. INSTALL PATTERN SELECT SWITCH ASSY NO.1

- (a) Install the pattern select switch to the shift position indicator.



## 23. INSTALL VEHICLE STABILITY CONTROL SWITCH

- (a) Install the VSC OFF switch to the shift position indicator.

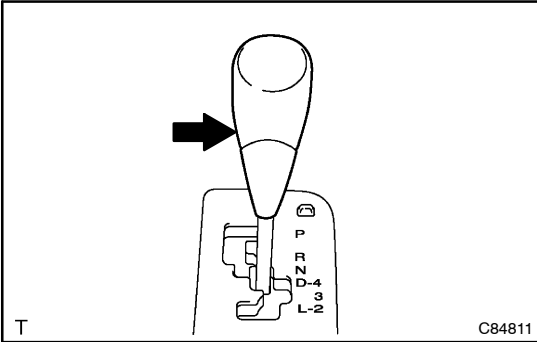


## 24. INSTALL SHIFT POSITION INDICATOR

- (a) Install the shift position indicator to the shift lever guide housing.

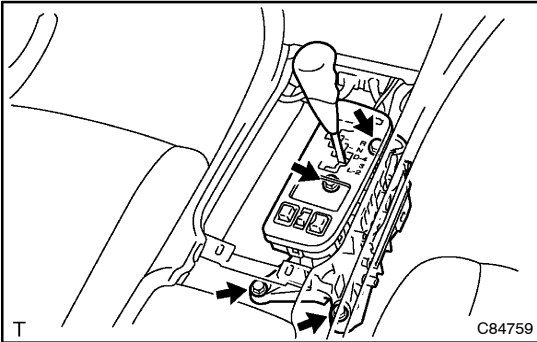
HINT:

Firmly make the claws fit.



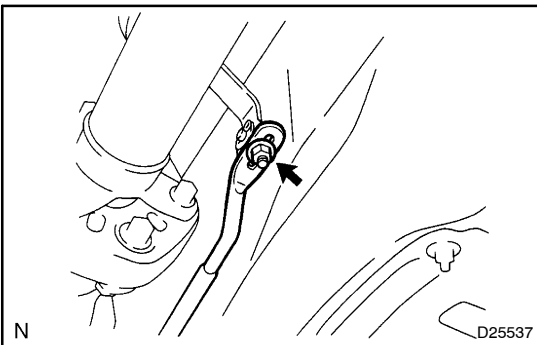
### 25. INSTALL FLOOR SHIFT LEVER KNOB SUB-ASSY

- (a) Install the floor shift lever knob to the shift lever.



### 26. INSTALL FLOOR SHIFT ASSY

- (a) Install the floor shift assy with the 4 bolts.  
**Torque: 3.3 N·m (85 kgf·cm, 74 in.·lb)**
- (b) Connect the 4 connector.



### 27. INSTALL FLOOR SHIFT GEAR SHIFTING ROD SUB-ASSY

- (a) Temporarily install the shifting rod to the connecting rod swivel with the nut.

28. ADJUST SHIFT LEVER POSITION (See page 40-43)

29. INSTALL EXHAUST PIPE (See page 30-4)

30. INSTALL OXYGEN SENSOR

(See page 30-4)

31. INSTALL RR SUSPENSION MEMBER BRACE REAR LOWER RH

(See page 30-4)

32. INSTALL RR SUSPENSION MEMBER BRACE REAR LOWER LH

(See page 30-4)

33. INSTALL FRONT FLOOR BRACE CENTER

(See page 30-4)

34. INSPECT SHIFT LEVER POSITION (See page 40-43)

35. CHECK EXHAUST GAS LEAK