

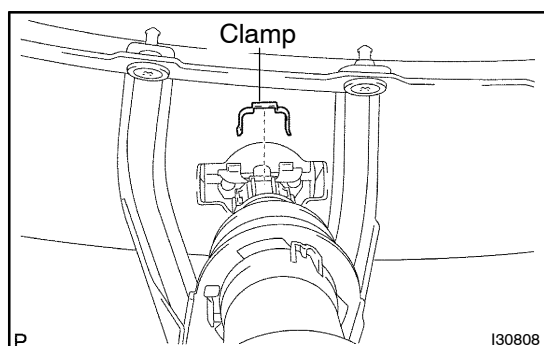
HEADLAMP WASHER ACTUATOR SUB-ASSY LH REPLACEMENT

6603V-01

HINT:

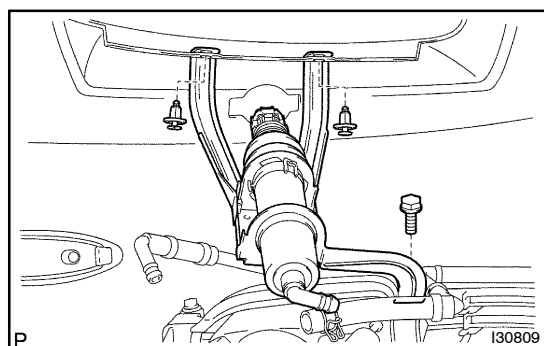
COMPONENTS: [See page 66-1](#)

1. REMOVE RADIATOR GRILLE
([See Page 76-8](#))
2. REMOVE FRONT WHEEL OPENING EXTENSION PAD LH
3. REMOVE FRONT WHEEL OPENING EXTENSION PAD RH
4. REMOVE ENGINE UNDER COVER
5. REMOVE QUARTER PANEL WHEEL OPENING MOULDING LH
6. REMOVE QUARTER PANEL WHEEL OPENING MOULDING RH
7. REMOVE FRONT FENDER LINER LH
([See Page 76-8](#))
8. REMOVE FRONT FENDER LINER RH
([See Page 76-8](#))
9. REMOVE FRONT BUMPER COVER
([See Page 76-8](#))



10. REMOVE HEADLAMP CLEANER WASHER NOZZLE

- (a) Remove the clamp.
- (b) Remove the headlamp cleaner washer nozzle.



11. REMOVE HEADLAMP WASHER ACTUATOR SUB-ASSY LH

- (a) Disconnect the headlamp cleaner hose.
- (b) Remove the bolt and 2 clips.
- (c) Remove the headlamp washer actuator sub-assy LH.