

WIPER[RUBBER]LH REPLACEMENT

6603W-01

HINT:

COMPONENTS: [See page 66-1](#)

1. REMOVE FR WIPER BLADE LH

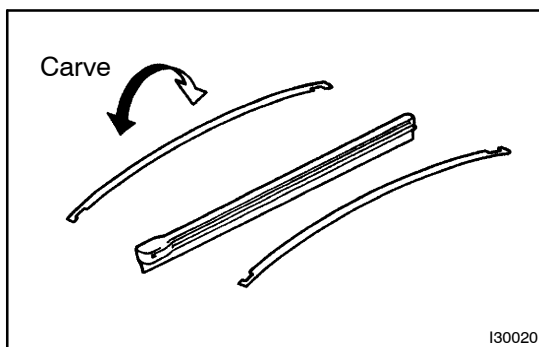
- (a) Remove the front wiper blade LH from the front wiper arm LH.

NOTICE:

Do not fold down the front wiper arm with the front wiper blade being removed from it.

2. REMOVE WIPER RUBBER LH

- (a) Remove the front wiper rubber LH from the front wiper blade LH.
 (b) Remove the 2 wiper rubber backing plates from the wiper rubber LH.

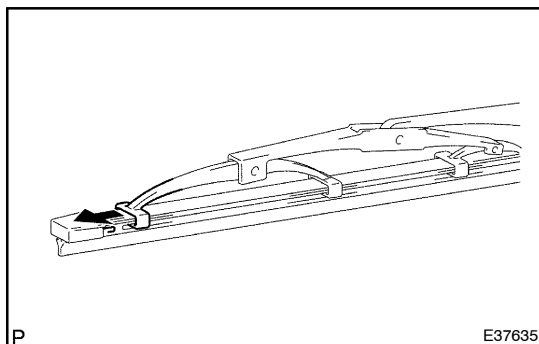


3. INSTALL WIPER RUBBER LH

- (a) Install the 2 wiper rubber backing plates to the wiper rubber LH.

NOTICE:

Be careful not to install the packing plate back or front.



- (b) Install the wiper rubber LH in the way that the head part (Longer side) of the wiper rubber faces the arm axle side.

NOTICE:

Push in the front wiper blade into the grooves of the wiper rubber to completely engage them.