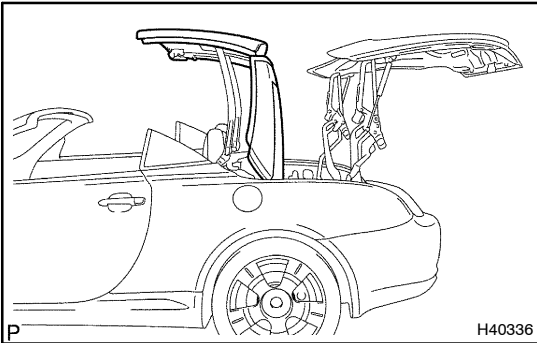


## OVERHAUL

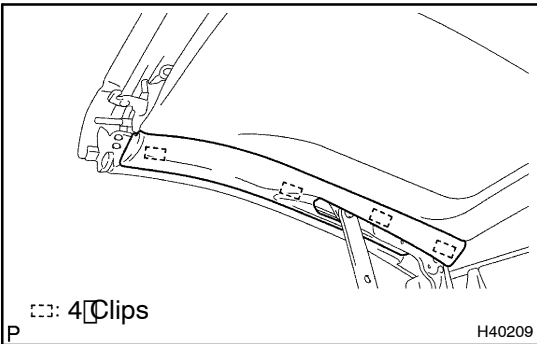
HINT:

COMPONENTS: [See page 74-14](#)



### 1. MOVE ROOF PANEL TO HALF

- (a) Refer to the manual operation procedures, and half-open the roof.



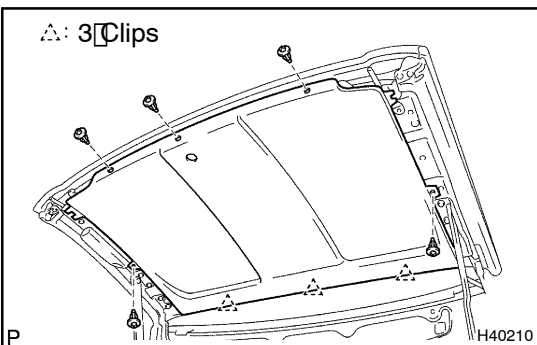
### 2. REMOVE ROOF SIDE RAIL GARNISH ASSY RH

- (a) Using a screwdriver, disengage the 4 clips and remove the roof side rail garnish RH.

HINT:

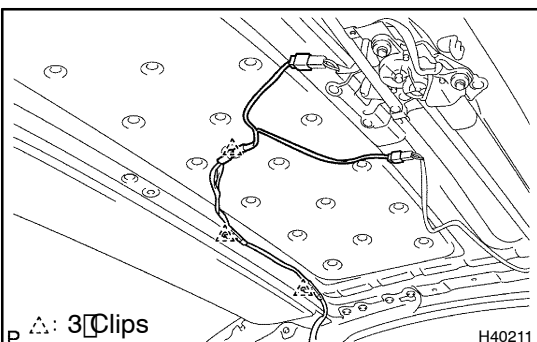
Tape the screwdriver tip before use.

### 3. REMOVE ROOF SIDE RAIL GARNISH ASSY LH



### 4. REMOVE SUN ROOF / REMOVABLE ROOF HEADLINING ASSY

- (a) Remove the 5 clips.  
(b) Disengage the 3 clips, then remove the sun roof / removable roof headlining.

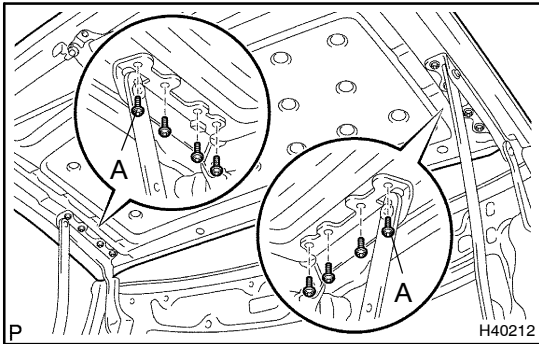


### 5. REMOVE SLIDING ROOF / REMOVABLE ROOF PANEL SUB-ASSY

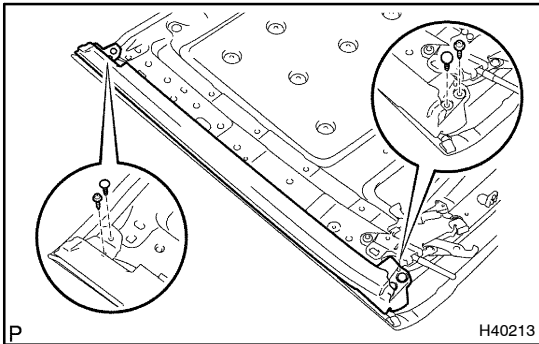
- (a) Disconnect the limit switch connector and sliding roof drive gear connector.  
(b) Using a clip remover or screwdriver, disengage the wire harness clamps.

HINT:

Tape the screwdriver tip before use.

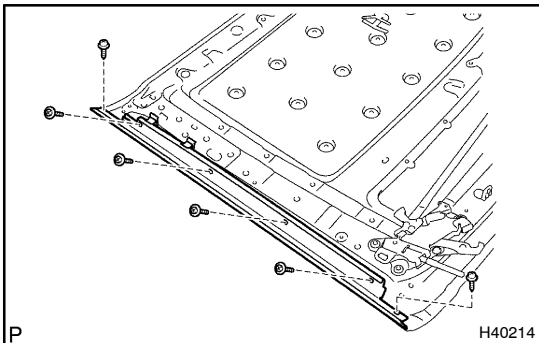


- (c) Using a torx socket, remove the 8 screws.  
**Torx socket (T40): 09042-00020**  
**Screw A: Centering bolt**
- (d) Remove the sliding roof / removable roof panel sub-assy.



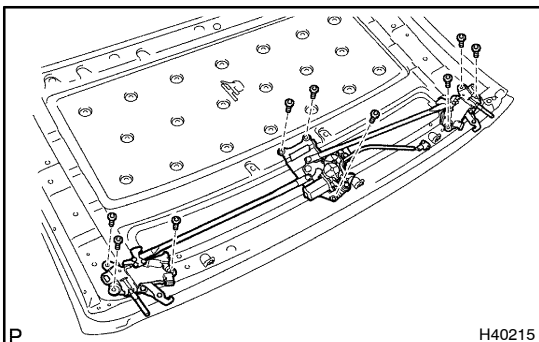
- 6. REMOVE ROOF SIDE RAIL WEATHERSTRIP RH**
- (a) Using a clip remover, remove the 2 screws and 2 clips.  
 (b) Remove the roof side rail weatherstrip RH.

**7. REMOVE ROOF SIDE RAIL WEATHERSTRIP LH**

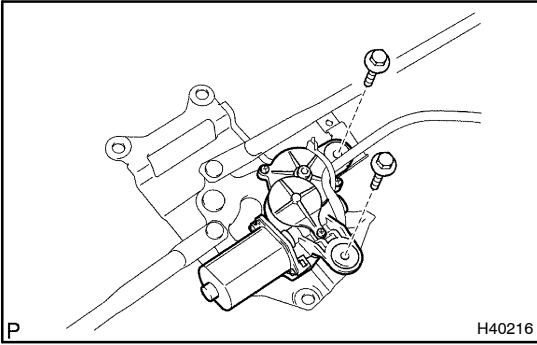


- 8. REMOVE ROOF SIDE RAIL WEATHERSTRIP RETAINER CENTER RH**
- (a) Remove the 6 screws and center roof side rail weatherstrip retainer RH.

**9. REMOVE ROOF SIDE RAIL WEATHERSTRIP RETAINER CENTER LH**

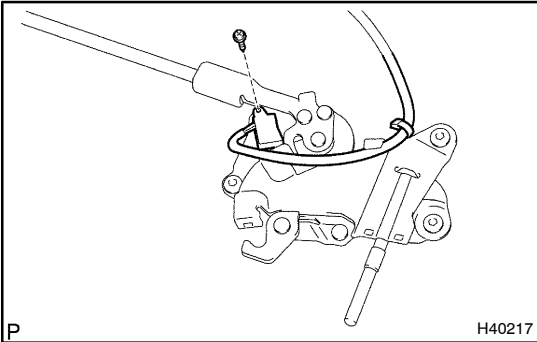


- 10. REMOVE REMOVABLE ROOF LOCK SUB-ASSY**
- (a) Using a torx socket, remove the 9 screws.  
**Torx socket (T30): 09042-00010**
- (b) Remove the removable roof lock sub-assy.



**11. REMOVE SLIDING ROOF DRIVE GEAR SUB-ASSY**

- (a) Remove the 2 bolts.
- (b) Remove the sliding roof drive gear from the removable roof lock sub-assy.



**12. REMOVE SLIDE ROOF LIMIT SWITCH**

- (a) Remove the screw.
- (b) Remove the slide roof limit switch from the removable roof lock sub-assy.

**13. INSTALL SLIDE ROOF LIMIT SWITCH**

**14. INSTALL SLIDING ROOF DRIVE GEAR SUB-ASSY**

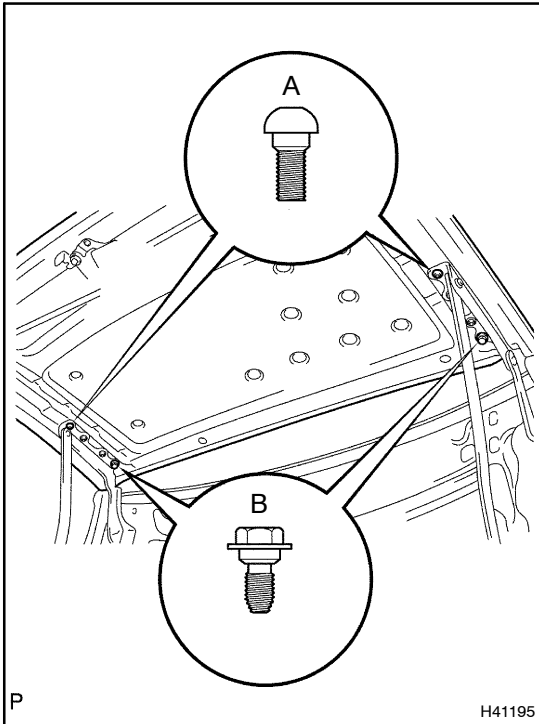
Torque: 5.4 N·m (55 kgf·cm, 48 in·lbf)

**15. INSTALL ROOF SIDE RAIL WEATHERSTRIP RETAINER CENTER LH**

**16. INSTALL ROOF SIDE RAIL WEATHERSTRIP RETAINER CENTER RH**

**17. INSTALL ROOF SIDE RAIL WEATHERSTRIP LH**

**18. INSTALL ROOF SIDE RAIL WEATHERSTRIP RH**



## 19. INSTALL SLIDING ROOF / REMOVABLE ROOF PANEL SUB-ASSY

### HINT:

Use a centering bolt (A) and (B) to decide the roof panel position.

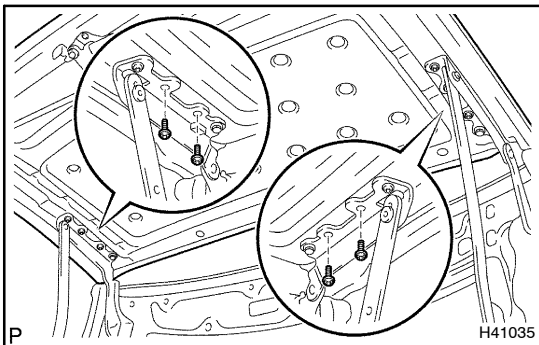
**Bolt A: Original part**

**Bolt B: Service part (90109-08155)**

- (a) Using a torx socket, install the roof panel to the roof panel link with the 2 centering bolts (A) and 2 centering bolts (B).

**Torx socket (T40): 09042-00020**

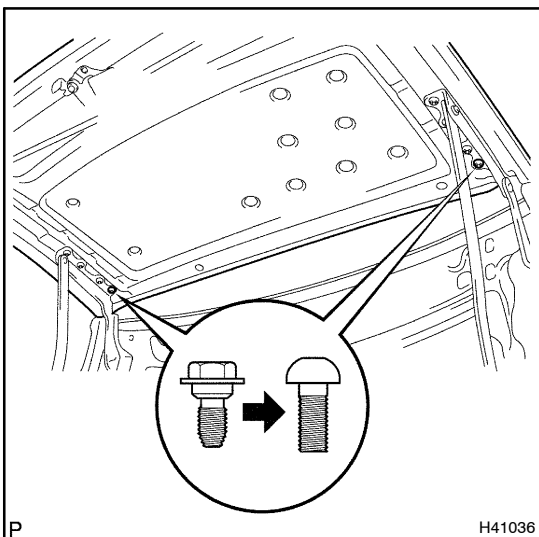
**Torque: 40 N·m (408 kgf·cm, 30 ft·lbf)**



- (b) Using a torx socket, tighten the 4 bolts.

**Torx socket (T40): 09042-00020**

**Torque: 40 N·m (408 kgf·cm, 30 ft·lbf)**

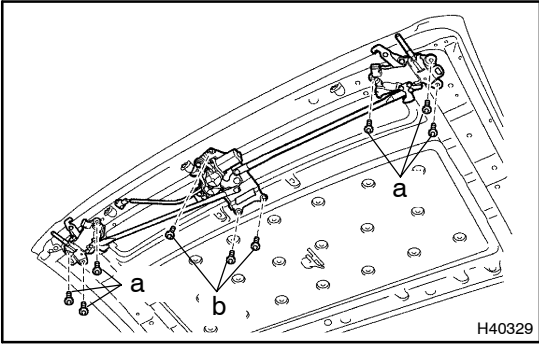


- (c) Remove the centering bolts (B).

- (d) Using a torx socket, install the 2 bolts which is installed originally.

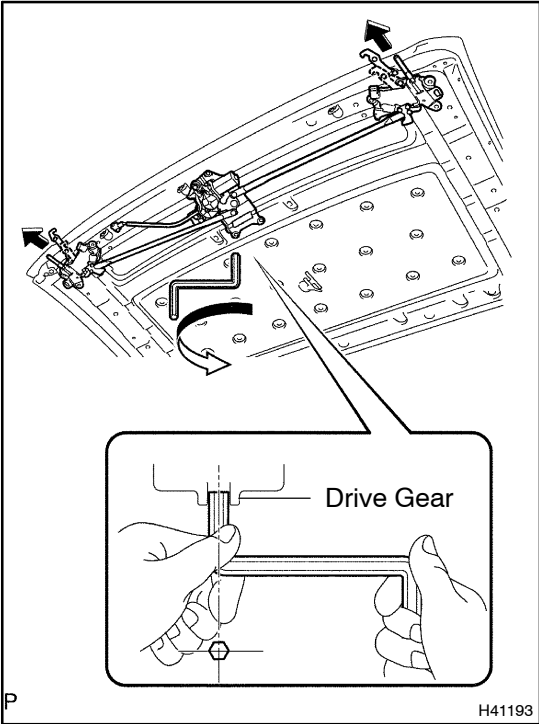
**Torx socket (T40): 09042-00020**

**Torque: 40 N·m (408 kgf·cm, 30 ft·lbf)**



**20. INSTALL REMOVABLE ROOF LOCK SUB-ASSY**

- (a) Temporary tighten the 9 screws to install the removable roof lock sub-assy.
- (b) Using a torx socket, tighten the 6 screws (a) of lock side.  
**Torx socket (T30): 09042-00010**  
**Torque: 9.0 N·m (92 kgf·cm, 80 in.·lbf)**



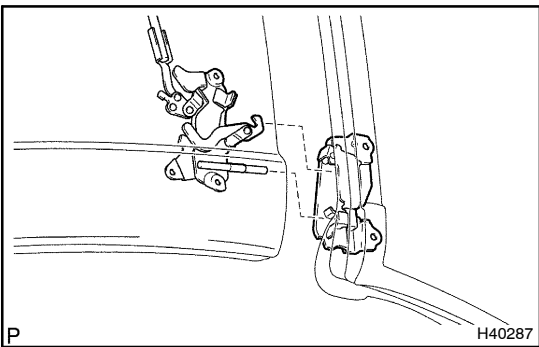
- (c) Release removable roof lock.
  - (1) Remove the service hole cover from the roof headlining.
  - (2) Insert the hexagon wrench tip into the drive gear shaft and turn the hexagon wrench about one turn counterclockwise as viewed from the bottom.

**NOTICE:**

- **After the rotation is stopped, do not apply excessive to the drive gear shaft.**
- **Make sure to insert the hexagon wrench completely and operate with both hands.**

**HINT:**

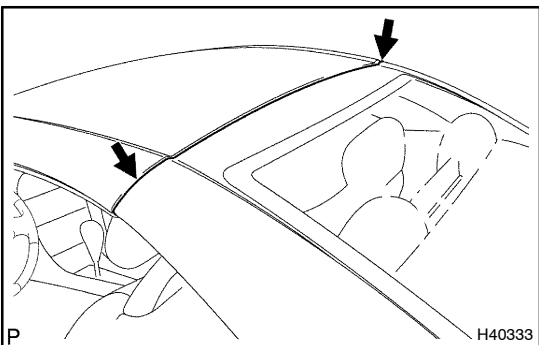
Approx. one full rotation makes it unlock.



- (d) Fully close the roof.

**HINT:**

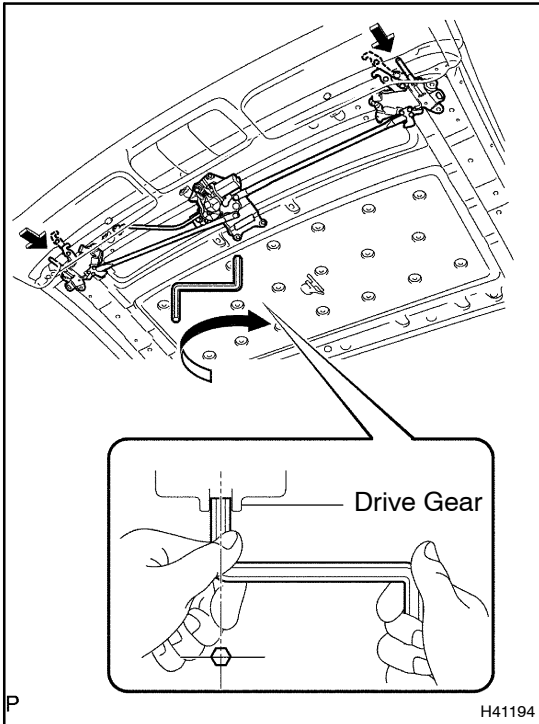
Check that the guide pin on the edge of the roof panel is aligned with the catch on the pillar.



- (e) Strongly push down the roof panel and back window near the parting line.

**NOTICE:**

- **The operation should be performed by 2 persons.**
- **When closing, move it at almost same angles on the right and left.**



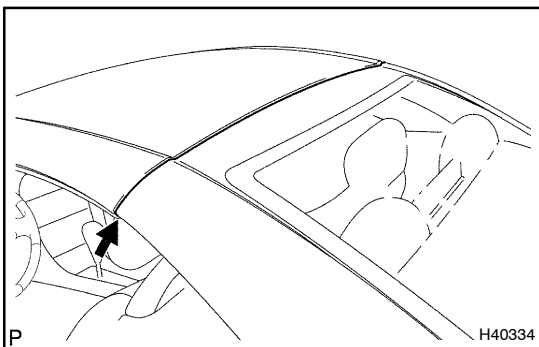
- (f) Lock removable roof lock.
- (1) Insert the hexagon wrench tip into the driver gear shaft in the roof head lining and turn it about one turn clockwise as viewed from the bottom.

**NOTICE:**

- After the rotation is stopped, do not apply excessive force to the drive gear shaft.
- Make sure to insert the hexagon wrench completely and operate with both hands.

**HINT:**

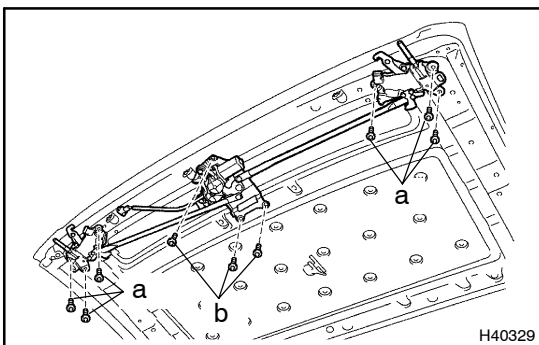
Approx. one full rotation unlocks it.



- (g) Push up the roof panel and the back window near the parting line and check that they are locked.

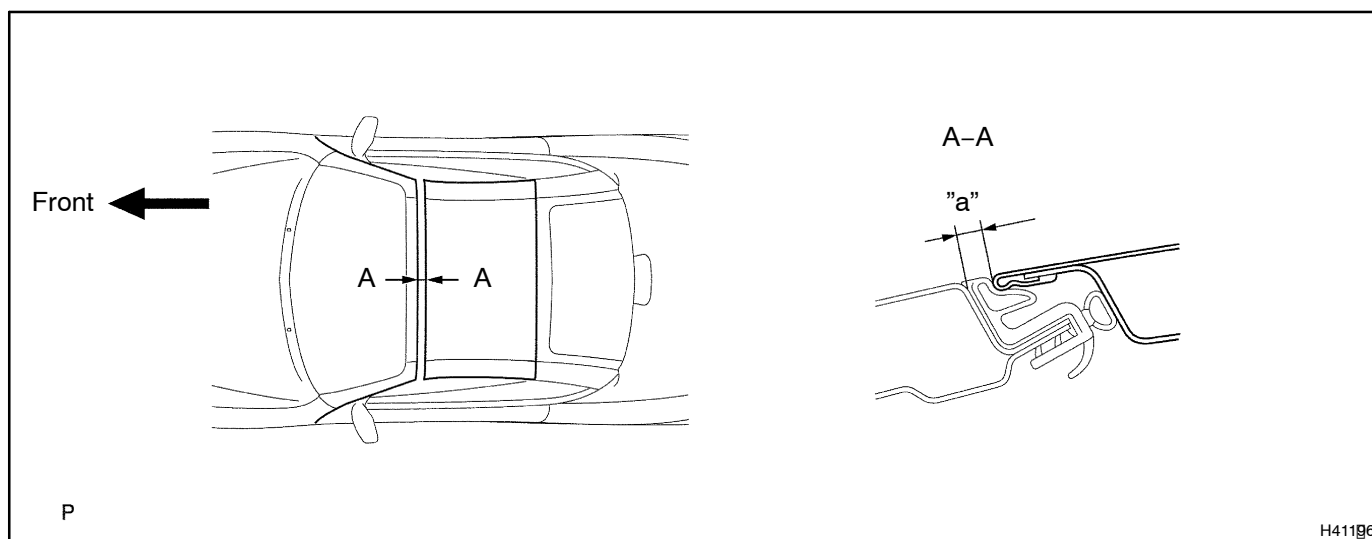
**NOTICE:**

The operation should be performed by 2 persons.



- (h) Using a torx socket, fully tighten the 3 screws (b).  
Torque: 9.0 N·m (92 kgf·cm, 80 in·lbf)

- (i) Measure "a".  
 $a = 7 \pm 1 \text{ mm} (0.28 \pm 0.08 \text{ in.})$



If "a" does not satisfy the standard value, adjust roof line. (See page 74-28)

- (j) Release the lock to return it to half-open condition.

21. INSTALL SUN ROOF / REMOVABLE ROOF HEADLINING ASSY
22. INSTALL ROOF SIDE RAIL GARNISH ASSY LH
23. INSTALL ROOF SIDE RAIL GARNISH ASSY RH