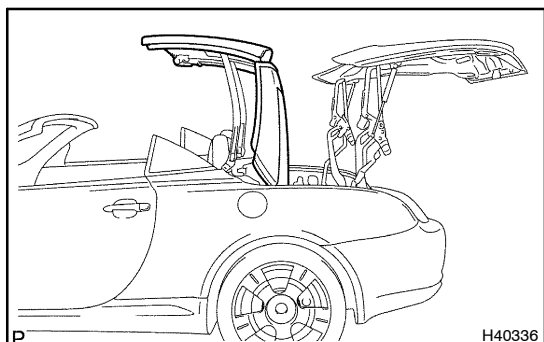


OVERHAUL

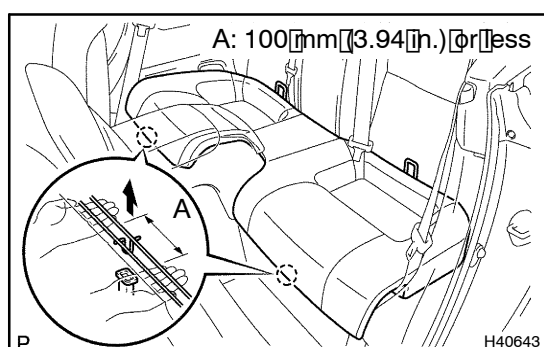
HINT:

COMPONENTS: [See page 74-49](#)



1. MOVE ROOF PANEL TO HALF

- (a) Refer to the manual operation procedures, and half-open the roof.

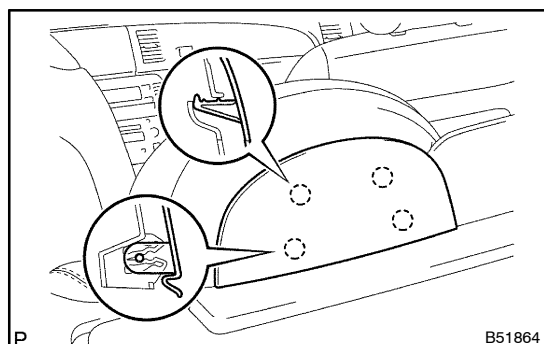


2. REMOVE REAR SEAT CUSHION ASSY

- (a) Pull up the front portion of the seat cushion assembly, then remove it.

NOTICE:

When removing rear seat cushion assembly, hold the base of the clip up so that the cushion frame will not be distorted.



3. REMOVE REAR SEAT HEADREST PLATE COVER

- (a) Using a screwdriver, remove the rear seat headrest plate cover.

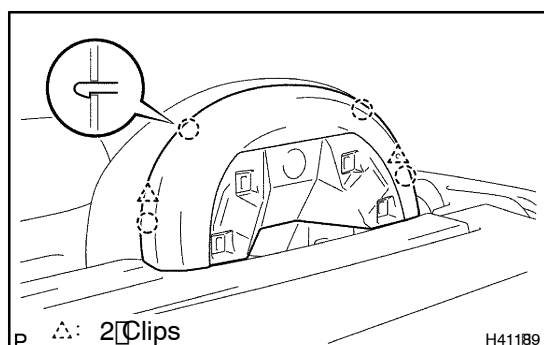
HINT:

Tape the screwdriver tip before use.

- (b) Use the same manner described above to the other side.

4. REMOVE WIND DEFLECTOR BOARD ASSY

- (a) Remove the 4 bolts and wind deflector board assy.



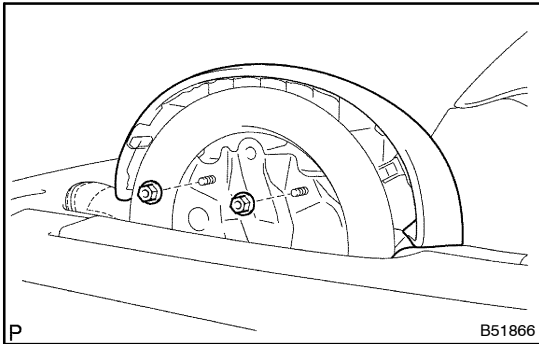
5. REMOVE REAR SEAT HEADREST PLATE

- (a) Using a screwdriver, remove the rear seat headrest plate.

HINT:

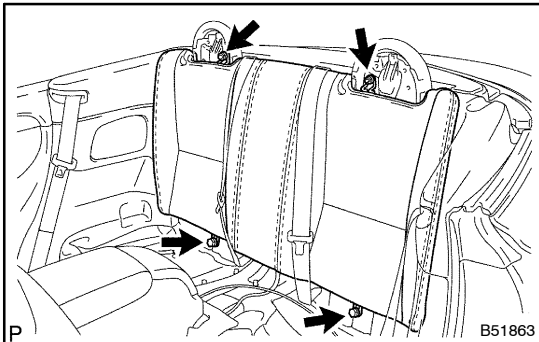
Tape the screwdriver tip before use.

- (b) Use the same manner described above to the other side.



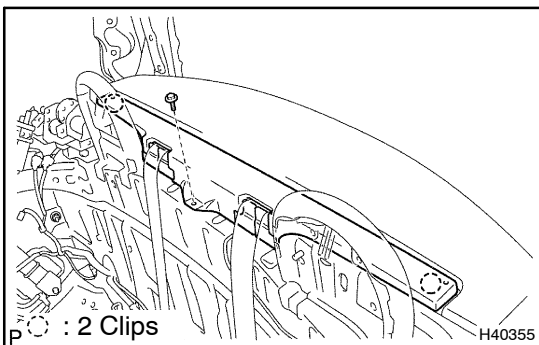
6. REMOVE REAR SEAT HEADREST ASSY

- (a) Remove the 2 nuts and rear seat headrest assembly.
- (b) Use the same manner described above to the other side.



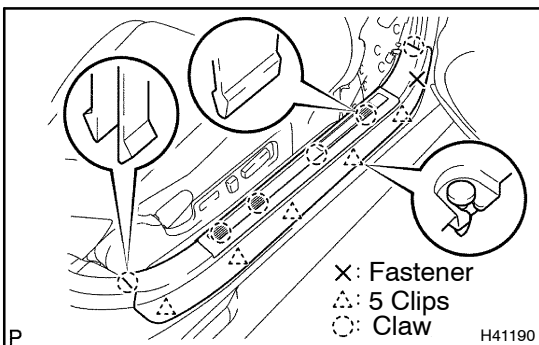
7. REMOVE REAR SEAT BACK ASSY

- (a) Remove the 2 nuts, 2 bolts and rear seat back assembly.



8. REMOVE REAR SEAT BACK BOARD

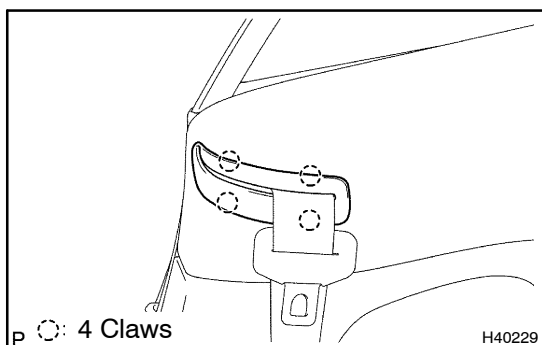
- (a) Remove the bolt.
- (b) Release the 2 clips, then remove the back board.



9. REMOVE DOOR SCUFF PLATE ASSY RH

- (a) Using a screwdriver, remove the door scuff plate assy RH.
 HINT:
 Tape the screwdriver tip before use.

10. REMOVE DOOR SCUFF PLATE ASSY LH

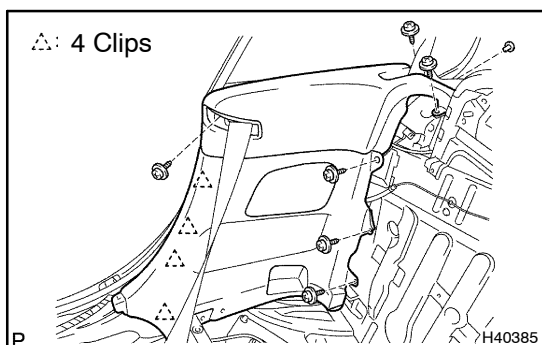


11. REMOVE QUARTER TRIM PANEL ASSY FRONT RH

- (a) Using a screwdriver, release the 4 claws and remove the rear seat outer belt garnish.

HINT:

Tape the screwdriver tip before use.



- (b) Remove the 6 screws and clip.
 (c) Release the 4 clips and remove the quarter trim panel assy front RH.

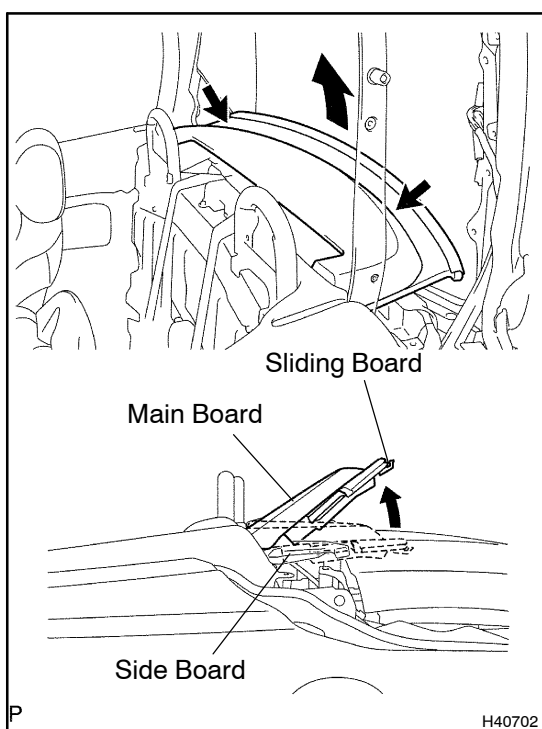
12. REMOVE QUARTER TRIM PANEL ASSY FRONT LH

13. REMOVE TONNEAU COVER ASSY

14. REMOVE REAR FLOOR FINISH SIDE PLATE RH

15. REMOVE REAR FLOOR FINISH SIDE PLATE LH

16. REMOVE LUGGAGE COMPARTMENT TRIM COVER FRONT

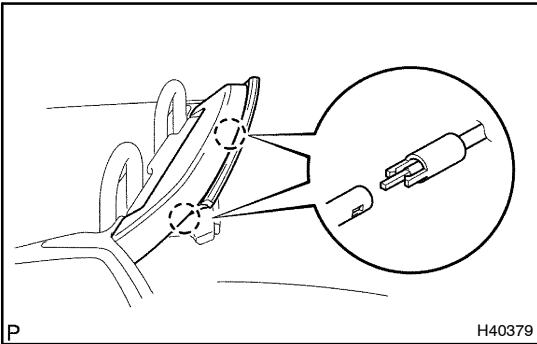


17. RAISE PACKAGE TRAY TRIM ASSY

- (a) Put both hands under the rear part of the package tray near the both ends and raise the package tray gradually at 30° to 45°.

NOTICE:

- Do not apply direct force to the side board as it is operated in connection with the main board.
- Do not place the hands on the edges of the main board.



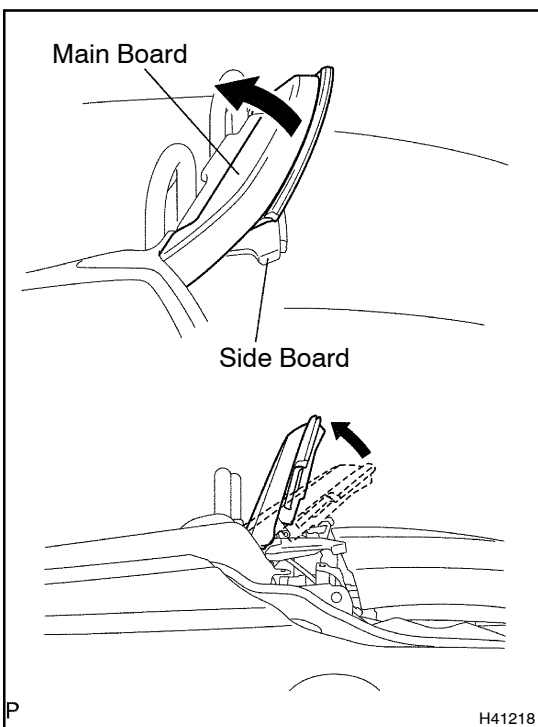
- (b) Disconnect the joints of the cables from the package tray trim gear box.

CAUTION:

Take care not to injure your hands when disconnecting the joints.

NOTICE:

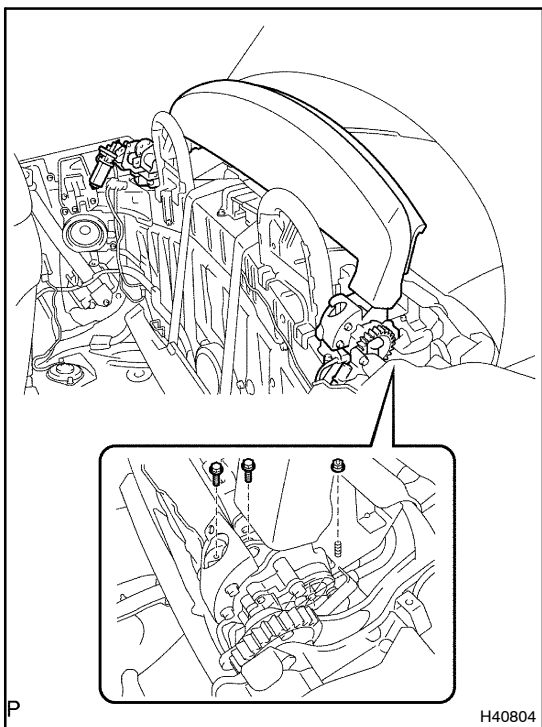
- As the cable is coated with grease, be careful that the seat, seat belt or other parts do not contact with the cable.
- Be careful to prevent the removed cable from being excessively pressed against the package tray gear box.



- (c) Gradually raise the package tray until it stops.

NOTICE:

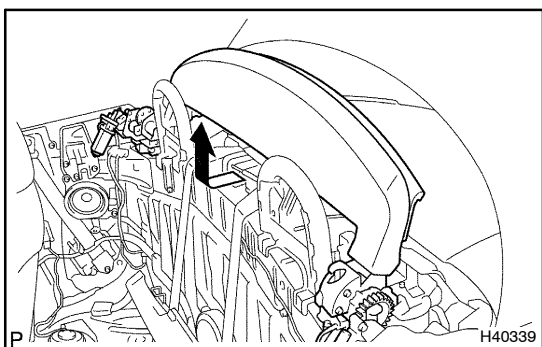
Do not apply direct force to the side board as it is operated in connection with the main board.

**18. REMOVE PACKAGE TRAY TRIM ASSY**

- (a) Disconnect the limit switch connectors.
- (b) Remove the 2 bolts and nut.

NOTICE:

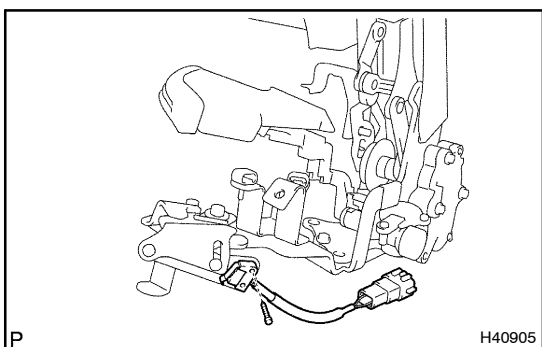
- Depending on the angle of the package tray, the side board may interfere with the bolt. In this case, adjust the angle to move the side board so that the bolt can be viewed.
 - Do not move the side board directly. Be sure to move the main board for adjustment.
 - The main board is operated in connection with the side board.
- (c) Use the same manner described above to the other side.



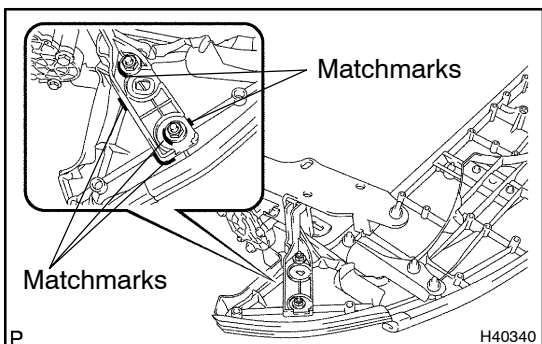
- (d) Remove the package tray trim assy as shown in the illustration.

HINT:

Store the right and left shims for the package tray trim assy separately.

**19. REMOVE SLIDE ROOF LIMIT SWITCH**

- (a) Remove the screw and limit switch.

**20. REMOVE PACKAGE TRAY TRIM PANEL ASSY**

- (a) As shown in the illustration, mark the nut position on the arm of the bracket.

HINT:

When replacing the bracket with a new one, mark the arm position on the side board.

- (b) Remove the 2 nuts and package tray trim panel assy.

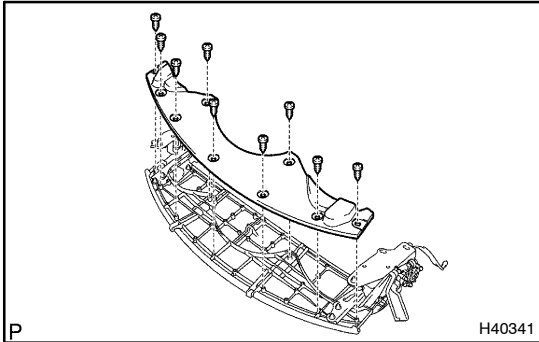
21. REMOVE PACKAGE TRAY TRIM PANEL ASSY NO.2

- (a) Mark the nut position on the arm of the bracket.

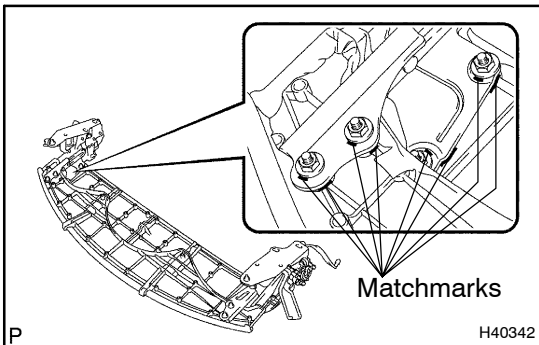
HINT:

When replacing the bracket with a new one, mark the arm position on the side board.

- (b) Remove the 2 nuts and package tray trim panel assy No. 2.

**22. REMOVE PACKAGE TRAY TRIM UNDER COVER**

- (a) Remove the 9 screws and cover.

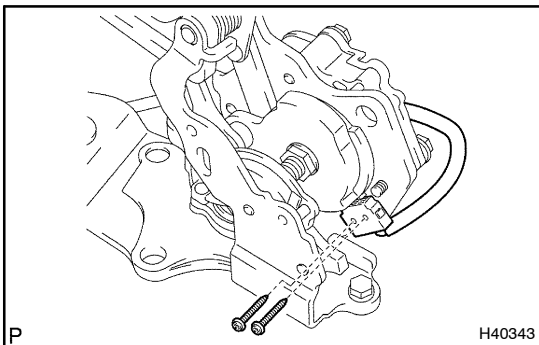
**23. REMOVE PACKAGE TRAY PANEL ASSY CENTER**

- (a) As shown in the illustration, mark the nut position on the bracket.

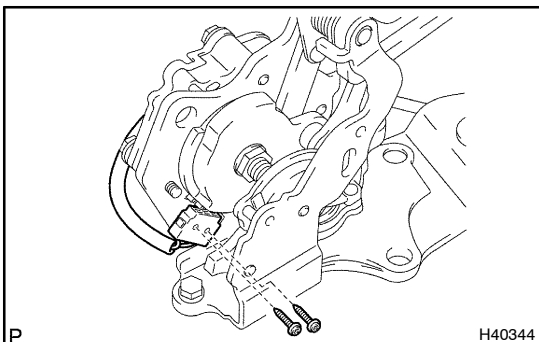
HINT:

When replacing the bracket with a new one, mark the bracket position on the panel assy side.

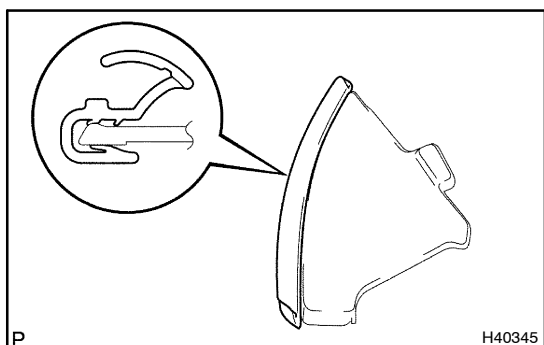
- (b) Remove the 4 nuts and panel assy.

**24. REMOVE SLIDE ROOF LIMIT SWITCH**

- (a) Remove the bolt and protector.
(b) Remove the 2 screws and limit switch.



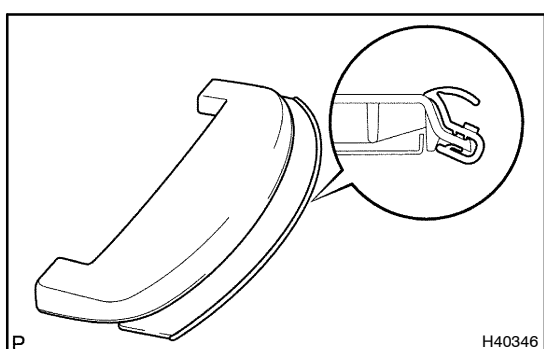
- (c) Remove the 2 screws and limit switch.



25. REMOVE BACK WINDOW GLASS WEATHERSTRIP RH

- (a) Remove the back window glass weatherstrip RH from the swing package tray panel RH.

26. REMOVE BACK WINDOW GLASS WEATHERSTRIP LH

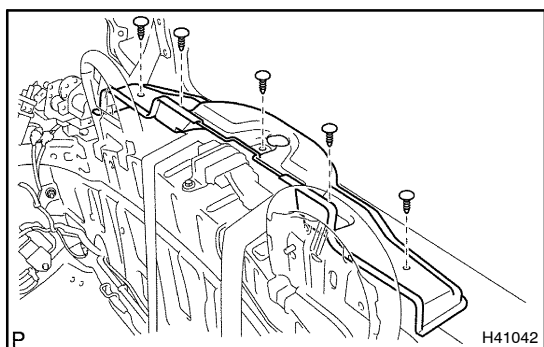


27. REMOVE BACK WINDOW GLASS WEATHERSTRIP CENTER

- (a) Remove the back window glass weatherstrip center from package tray trim panel sub-assy.

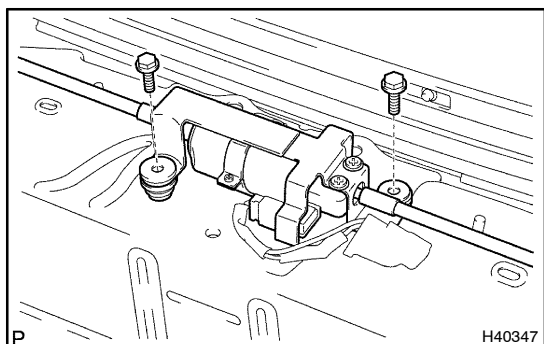
28. REMOVE PACKAGE TRAY TRIM BRACKET

- (a) Remove the 2 bolts and bracket.



29. REMOVE BACK PANEL TRIM COVER

- (a) Using a clip remover, remove the 5 clips and back panel trim cover.



30. REMOVE PACKAGE TRAY TRIM LINK LH MOTOR ASSY

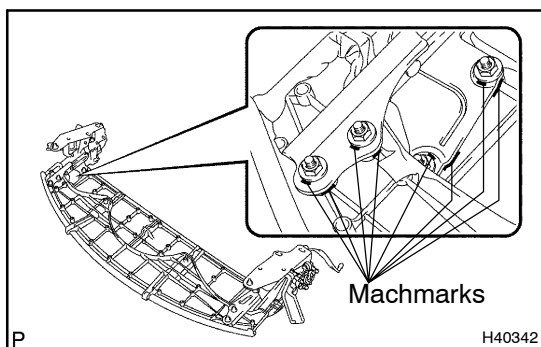
- (a) Using a clip remover, release the 2 clips of drive cable.
 (b) Remove the 2 drive cable.

HINT:

Turn the attachment on the drive cable end and remove the drive cable from the motor.

- (c) Disconnect the connector, then remove the 2 bolts and motor.

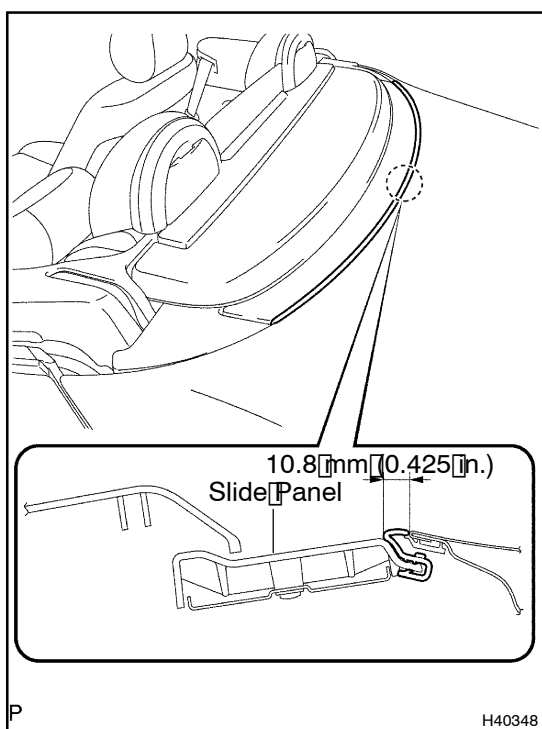
31. INSTALL PACKAGE TRAY TRIM LINK LH MOTOR ASSY
32. INSTALL BACK PANEL TRIM COVER
33. INSTALL PACKAGE TRAY TRIM BRACKET
34. INSTALL BACK WINDOW GLASS WEATHERSTRIP CENTER
35. INSTALL BACK WINDOW GLASS WEATHERSTRIP LH
36. INSTALL BACK WINDOW GLASS WEATHERSTRIP RH
37. INSTALL SLIDE ROOF LIMIT SWITCH



38. INSTALL PACKAGE TRAY PANEL ASSY CENTER
 - (a) Install the panel so that the nuts will be placed in marked position.

HINT:
When replacing the bracket, install it by correctly positioning to the mark on the panel.

39. INSTALL PACKAGE TRAY TRIM UNDER COVER
40. INSTALL PACKAGE TRAY TRIM PANEL ASSY NO.2
41. INSTALL PACKAGE TRAY TRIM PANEL ASSY
42. INSTALL SLIDE ROOF LIMIT SWITCH

**43. INSTALL PACKAGE TRAY TRIM ASSY**

(a) Temporarily tighten 4 bolts and package tray trim assy.

HINT:

- Install the shims that has been stored.
- Standard thickness is 3.0 mm (0.118 in.) with 3 shims.
Thickness of each shim: 1.0 mm (0.039 in.)

(b) Fully open the roof.

(c) Push down the package tray trim assy horizontally.

(d) Close the luggage door.

(e) Move the package tray trim back and forth to adjust the position.

HINT:

- If the distance is not within the standard value, adjust the installation position of the slide panel.
- For vertical adjustment, change the number of the shims to be inserted.

(f) Open the luggage door from the front and set the package tray to an upright position.

(g) Completely install the 4 bolts and 2 nuts.

44. INSTALL LUGGAGE COMPARTMENT TRIM COVER FRONT**45. INSTALL REAR FLOOR FINISH SIDE PLATE LH****46. INSTALL REAR FLOOR FINISH SIDE PLATE RH****47. INSTALL TONNEAU COVER ASSY****48. INSTALL QUARTER TRIM PANEL ASSY FRONT LH****49. INSTALL QUARTER TRIM PANEL ASSY FRONT RH****50. INSTALL DOOR SCUFF PLATE ASSY LH****51. INSTALL DOOR SCUFF PLATE ASSY RH****52. INSTALL REAR SEAT BACK BOARD****53. INSTALL REAR SEAT BACK ASSY (See page 72-8)**

Torque:

Bolt: 18 N·m (184 kgf·cm, 13 ft·lbf)

Nut: 18 N·m (184 kgf·cm, 13 ft·lbf)

54. FULLY CLOSE ROOF PANEL

(a) Refer to the manual operation procedures, and fully close the roof.