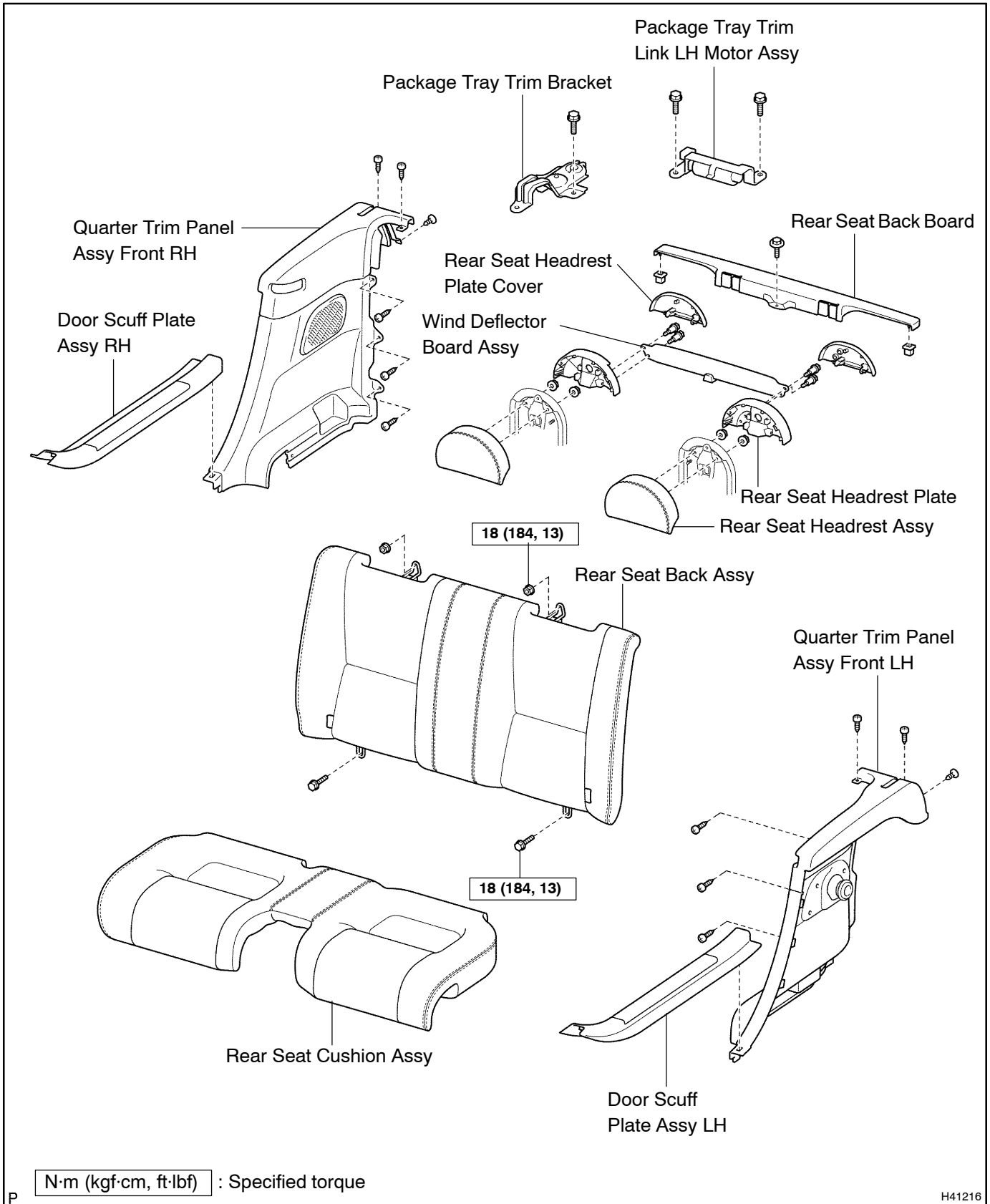


# PACKAGE TRAY TRIM ASSY COMPONENTS

7402Q-01



N·m (kgf·cm, ft·lbf) : Specified torque

H41216

