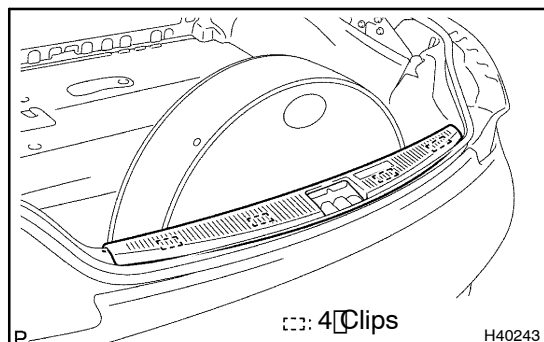


REPLACEMENT

HINT:

COMPONENTS: [See page 75-40](#)



1. REMOVE REAR FLOOR FINISH PLATE

- (a) Using a screwdriver, remove the rear floor finish plate.

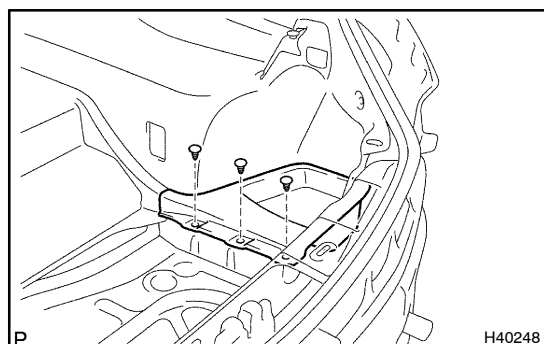
HINT:

Tape the screwdriver tip before use.

2. REMOVE SPARE WHEEL COVER ASSY

3. REMOVE SPARE DISC WHEEL

4. REMOVE LUGGAGE COMPARTMENT FLOOR MAT

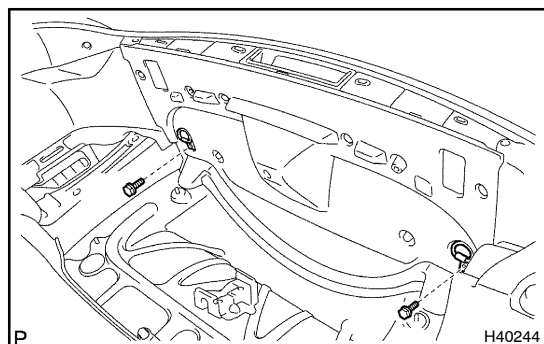


5. REMOVE LUGGAGE COMPARTMENT TRIM COVER RH

- (a) Using a clip remover, remove the 3 clips.
 (b) Remove the luggage compartment trim cover RH.

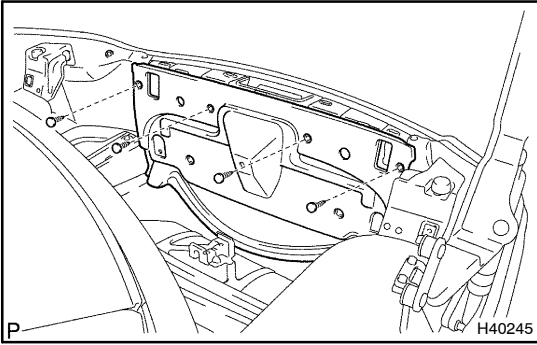
6. REMOVE LUGGAGE COMPARTMENT TRIM COVER LH

7. REMOVE TOOL BOX COVER



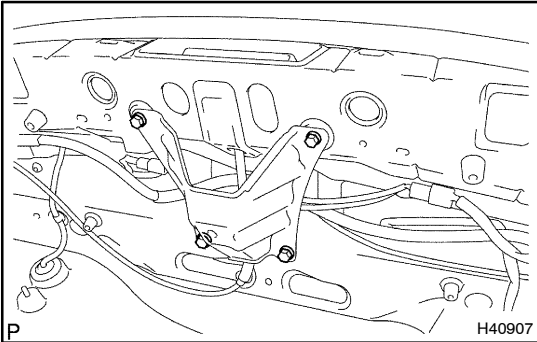
8. REMOVE LUGGAGE HOLD BELT STRIKER ASSY

- (a) Remove the 2 bolts and 2 luggage hold belt strikers.



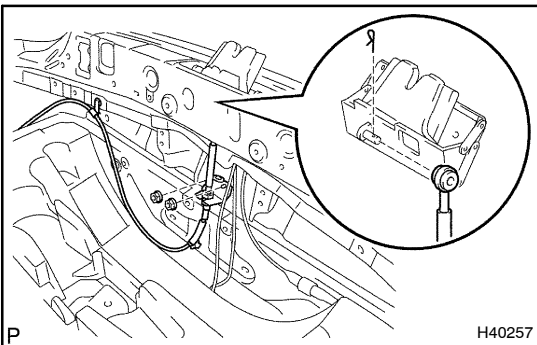
9. REMOVE LUGGAGE COMPARTMENT TRIM COVER SUB-ASSY REAR

- (a) Using a clip remover, remove the 4 clips.
- (b) Remove the luggage compartment trim cover sub-assy rear.



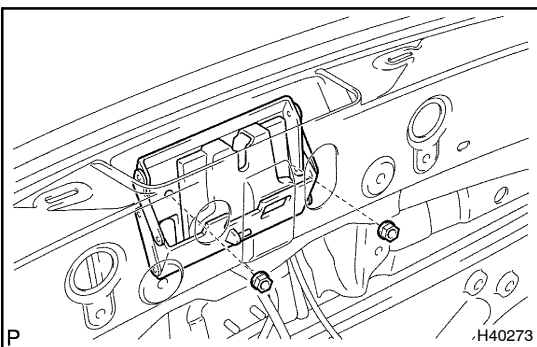
10. REMOVE SPARE WHEEL CARRIER BRACKET

- (a) Remove the 4 bolts and spare wheel carrier bracket.



11. REMOVE LUGGAGE COMPT DOOR HINGE CABLE

- (a) Remove the 2 nuts and luggage control cable bracket LH.
- (b) Remove the clip, then disconnect the luggage compartment door hinge cable.
- (c) Using a clip remover, disconnect the clamp of the luggage compartment door hinge cable.



12. REMOVE LUGGAGE COMPARTMENT DOOR LOCK ASSY

- (a) Remove the 2 nuts and luggage compartment door lock assy.
- (b) Disconnect the luggage compartment door lock control cable holding the lock assy up.

HINT:

Do not pull the lock assy up forcibly.

13. INSTALL LUGGAGE COMPARTMENT DOOR LOCK ASSY

Torque: 21 N·m (214 kgf·cm, 15 ft·lbf)

14. INSTALL LUGGAGE COMPT DOOR HINGE CABLE

15. INSTALL LUGGAGE CONTROL CABLE BRACKET LH

Torque: 6.9 N·m (70 kgf·cm, 61 in·lbf)

16. INSTALL LUGGAGE COMPARTMENT TRIM COVER SUB-ASSY REAR

17. **INSTALL LUGGAGE HOLD BELT STRIKER ASSY**
18. **INSTALL TOOL BOX COVER**
19. **INSTALL LUGGAGE COMPARTMENT TRIM COVER LH**
20. **INSTALL LUGGAGE COMPARTMENT TRIM COVER RH**
21. **INSTALL LUGGAGE COMPARTMENT FLOOR MAT**
22. **INSTALL SPARE DISC WHEEL**
23. **INSTALL SPARE WHEEL COVER ASSY**
24. **INSTALL REAR FLOOR FINISH PLATE**