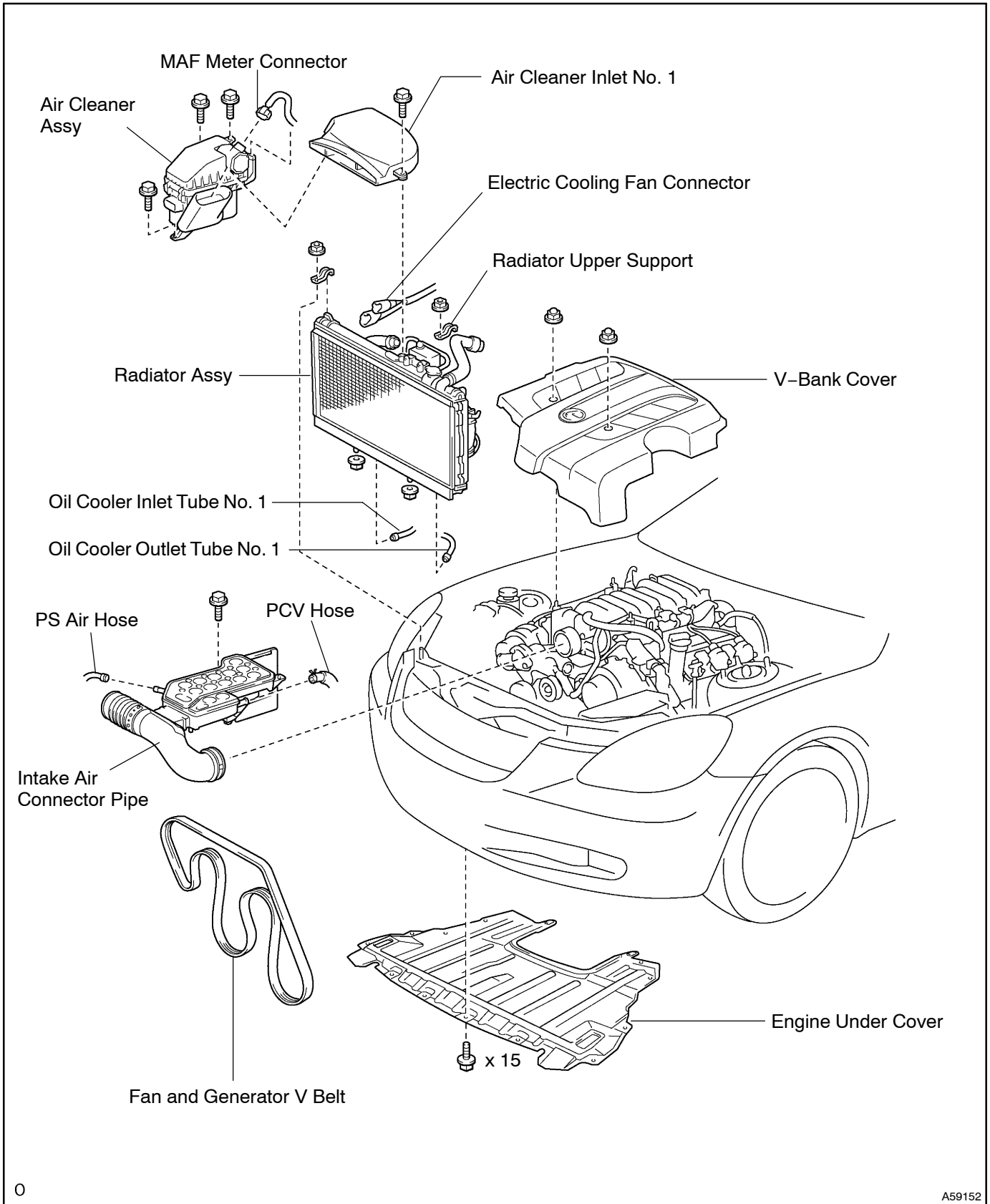
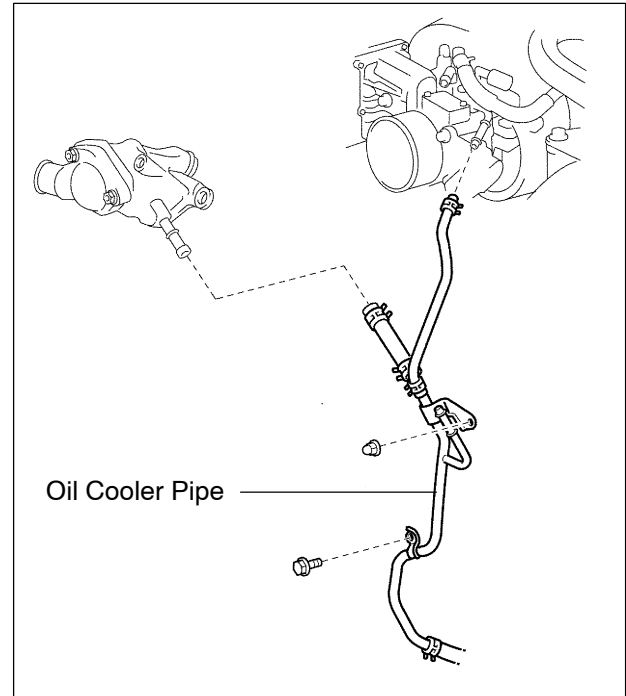


TIMING BELT COMPONENTS

140CJ-01

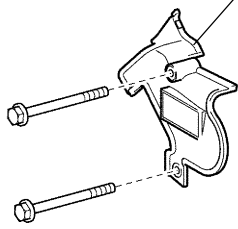


w/ Oil Cooler



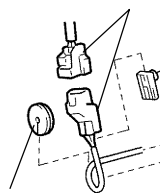
Timing Belt Cover Sub-assy No. 3 LH

Timing Belt Cover Sub-assy No. 2

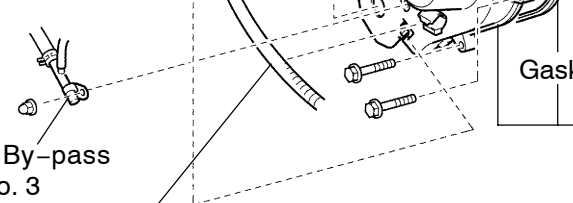


Camshaft Position Sensor Connector

Connector Holder



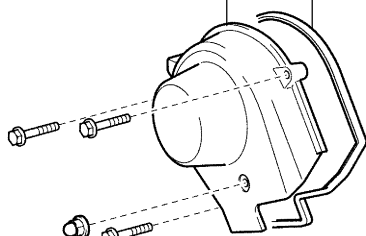
Grommet



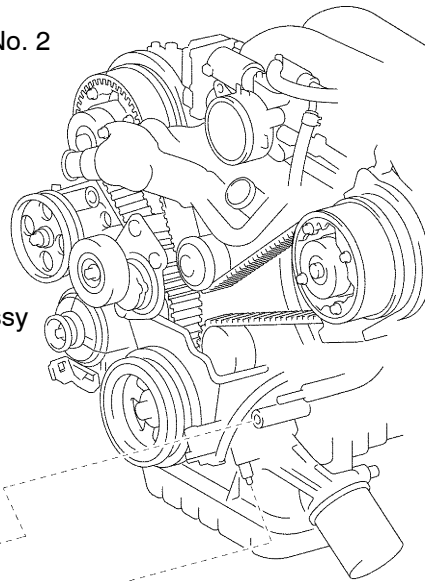
Water By-pass Pipe No. 3 (w/o Oil Cooler)

Engine Wire

Gasket



Timing Belt Cover No. 2

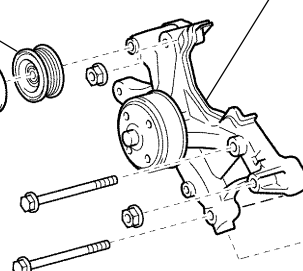


Idler Pulley Sub-assy No. 2

Idler Pulley Sub-assy No. 1

39 (400, 29)

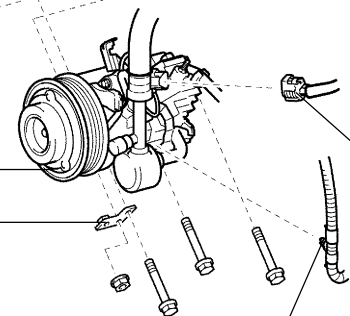
Cover Plate



Cooler Compressor Assy

Stay

Cooler Compressor Connector



Wire Clamp

P N·m (kgf·cm, ft·lbf) : Specified torque

