

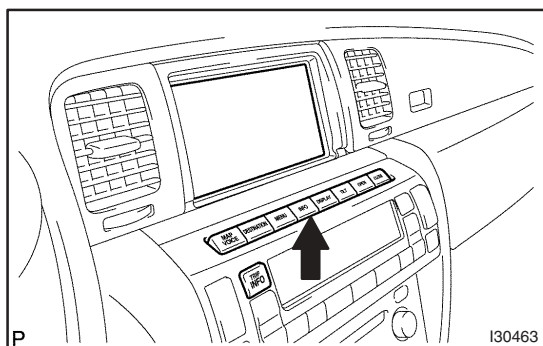
DIAGNOSTIC START-UP/FINISH

HINT:

- Illustrations may differ from the actual vehicle depending on the device settings and options.
- Turn the ignition switch to ACC and then, check that the map is displayed before starting the diagnostic mode. Otherwise, some items cannot be checked.

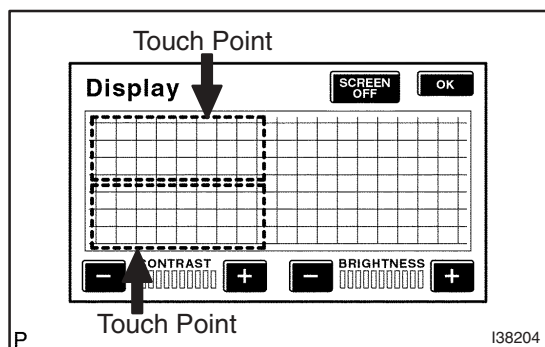
1. START DIAGNOSTIC MODE

- (a) There are 2 methods to start diagnostic mode.



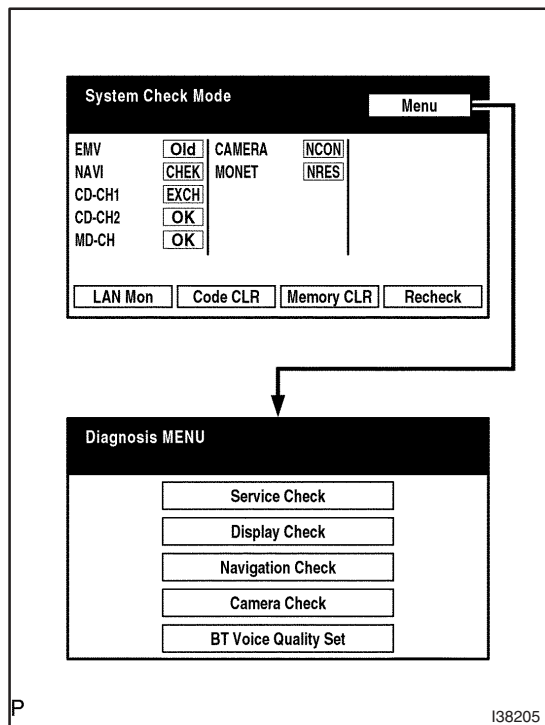
- (b) Method 1

- (1) Start the engine.
- (2) While pressing and holding "INFO" switch, operate light control switch in the following order: OFF → TAIL → OFF → TAIL → OFF → TAIL → OFF.
- (3) The diagnostic mode starts and the service check screen ("System Check Mode") will be displayed. Service inspection starts automatically and the result will be displayed.



- (c) Method 2

- (1) Start the engine.
- (2) Switch to the "Display Check" screen.
- (3) From the display adjustment screen, touch the corners of the screen in the following order: upper left → lower left → upper left → lower left → upper left → lower left.
- (4) The diagnostic mode starts and "Service Check" screen will be displayed. Service inspection starts automatically and the result will be displayed.



- (d) Diagnosis MENU

- (1) Diagnostic screen will be displayed by pressing the menu switch on the service check screen.

2. FINISH DIAGNOSTIC MODE

- (a) There are 2 methods to exit. Use one of them.
 - (1) Turn the ignition switch OFF.
 - (2) Press and hold the "DISPLAY" switch for 3 seconds.