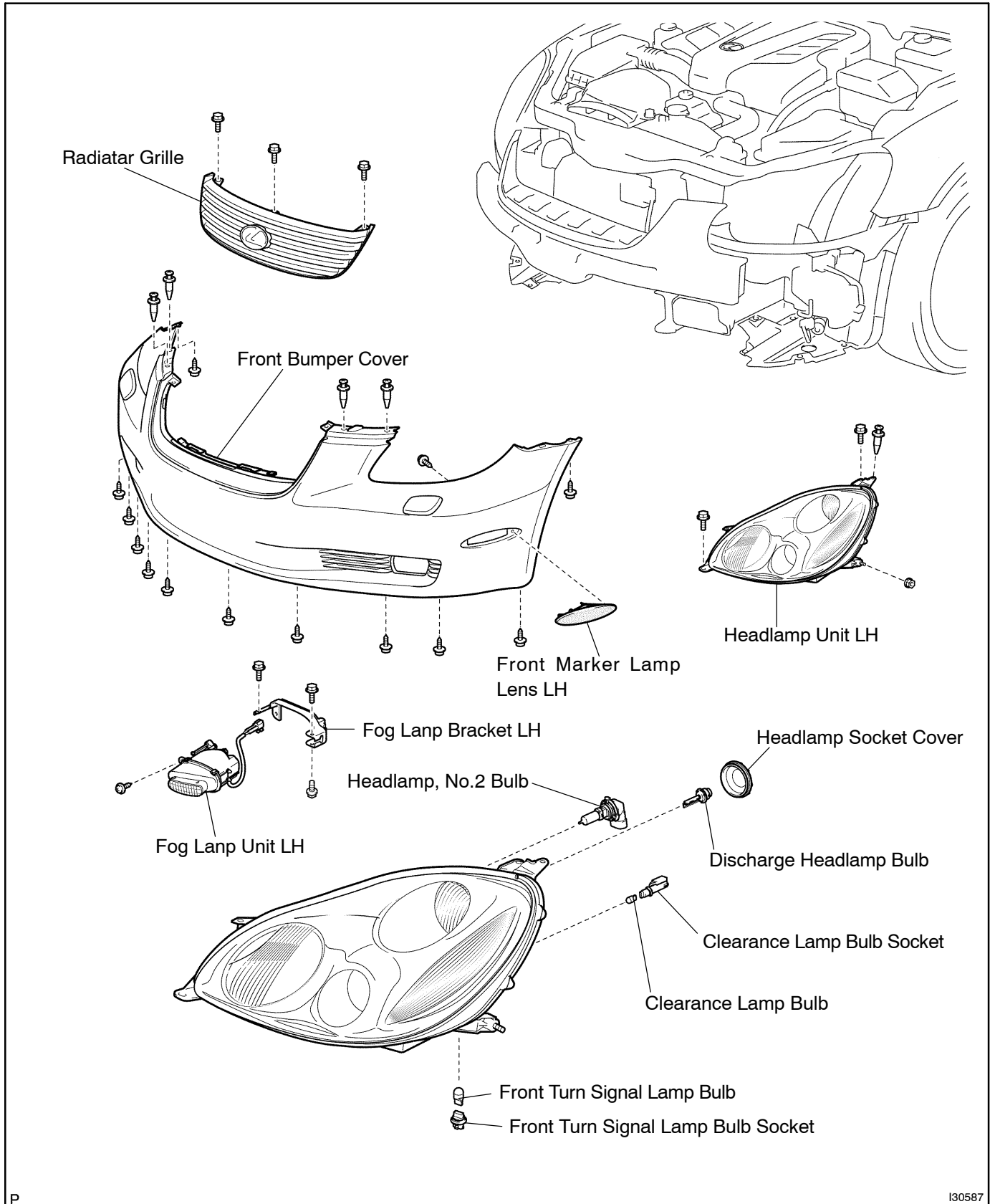


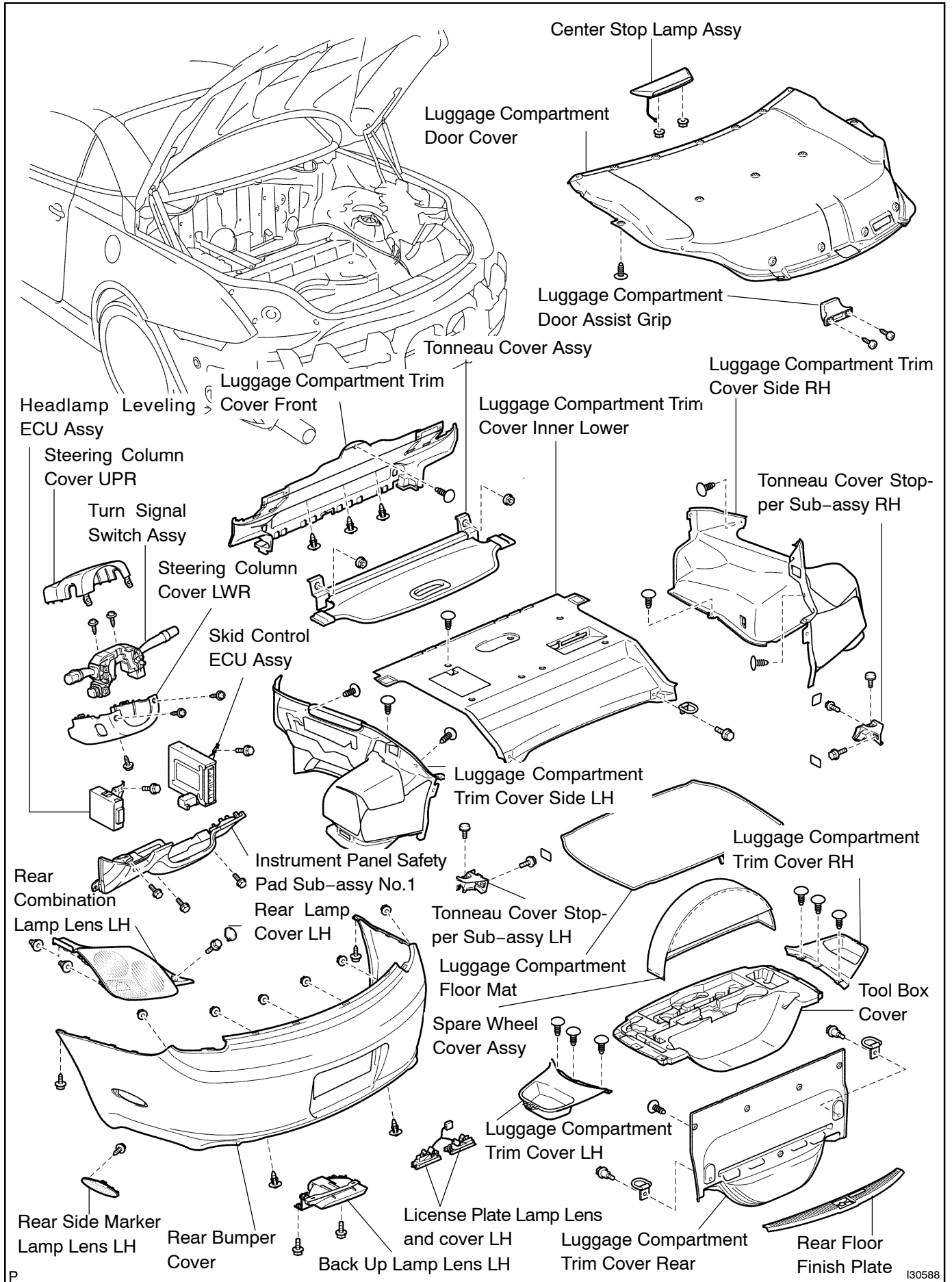
LIGHTING COMPONENTS

6503A-01



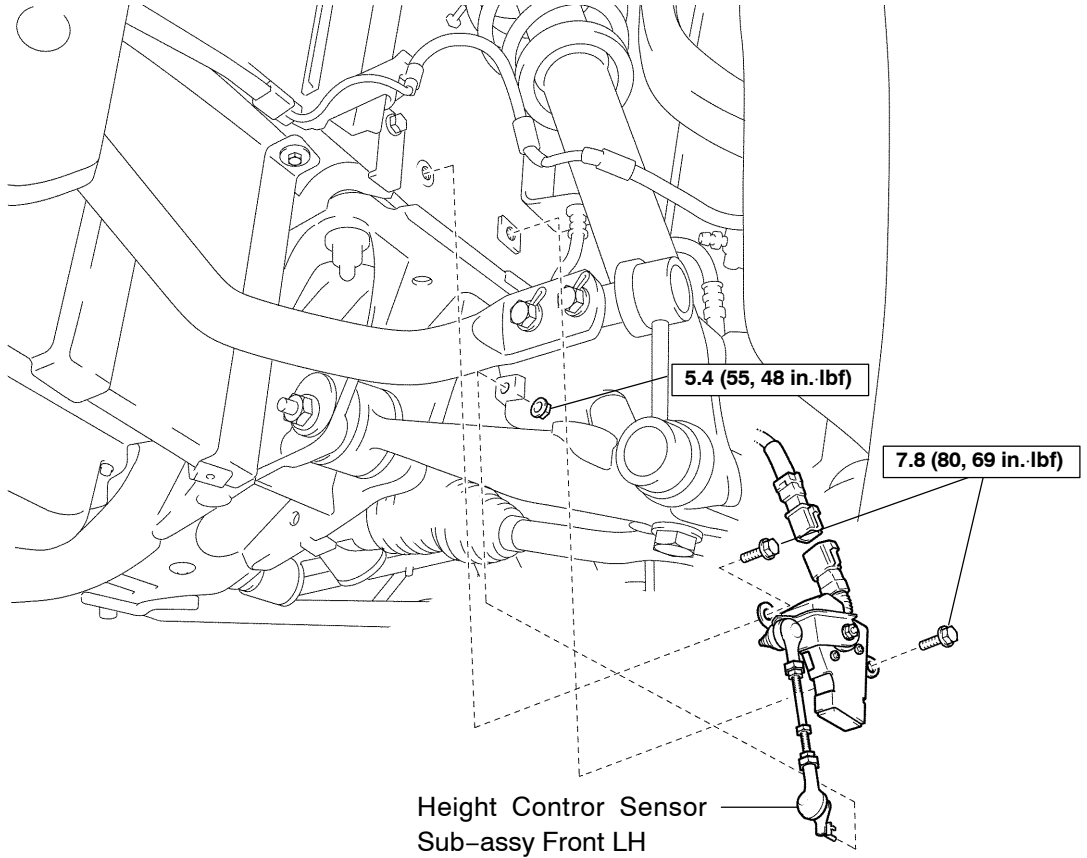
P

130587

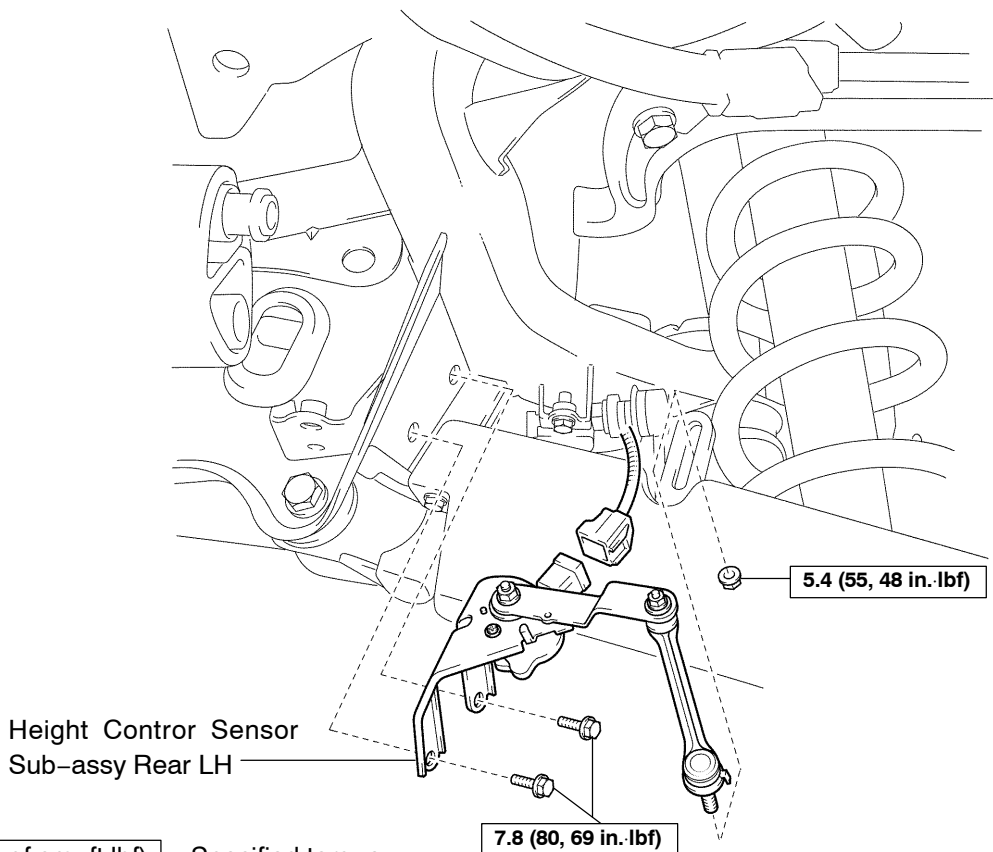


130588

Front



Rear



N·m (kgf·cm, ft·lbf) : Specified torque

I30592