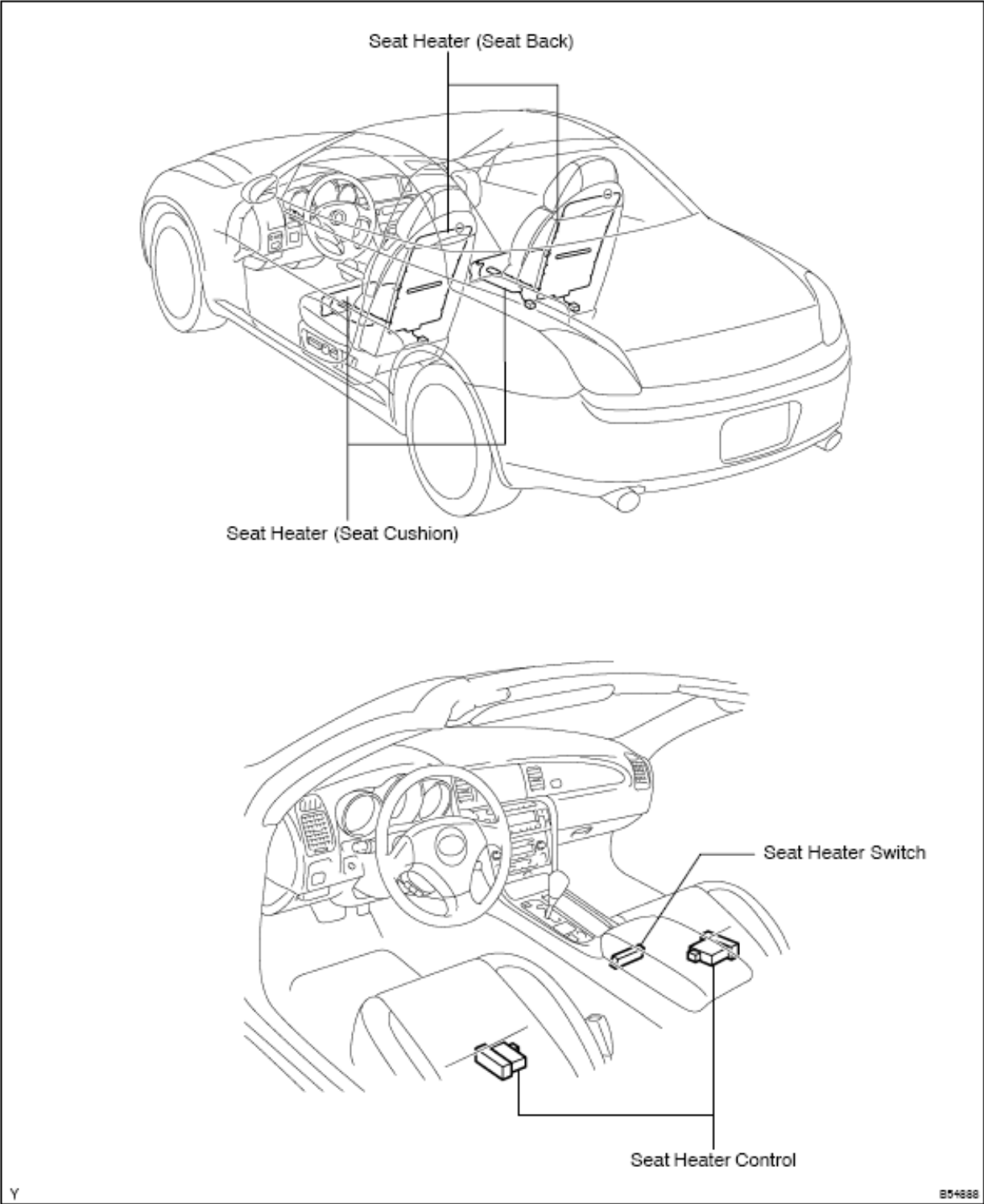
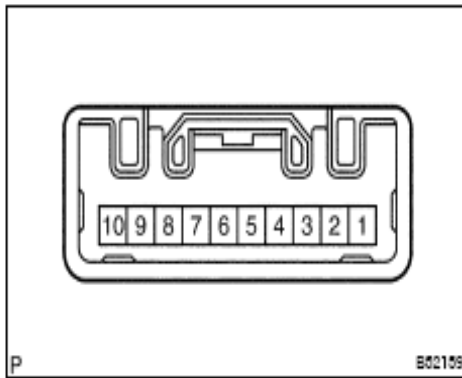


SEAT HEATER SYSTEM LOCATION

75342-01





1. INSPECT SEAT HEATER SWITCH

(a) Inspect the seat heater switch continuity.

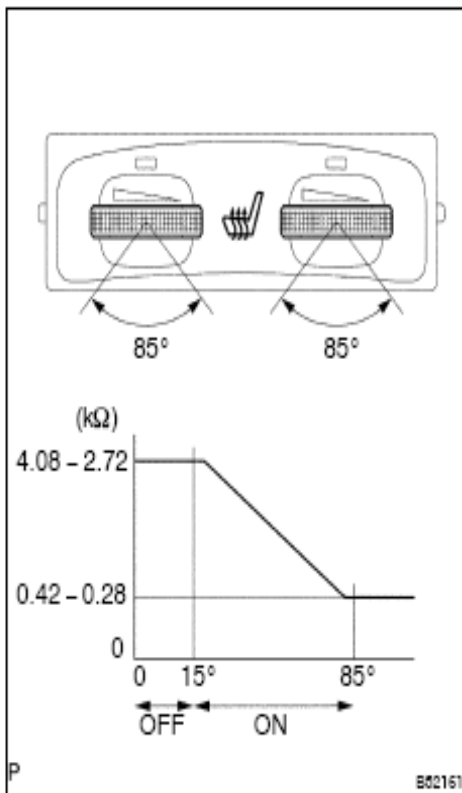
Condition	Tester connection	Specified condition
Constant	1 ↔ 2 ↔ 6 6 ↔ 9 ↔ 10 6 ↔ 7	Continuity
ON (Driver's side or Passenger's side)	3 ↔ 6	Continuity

If continuity is not as specified, replace the seat heater switch.

(b) Inspect the seat heater switch resistance.

Tester condition	Resistance
1 ↔ 6 6 ↔ 10	Refer to illustration

If the resistance value is not as specified, replace the seat heater switch.

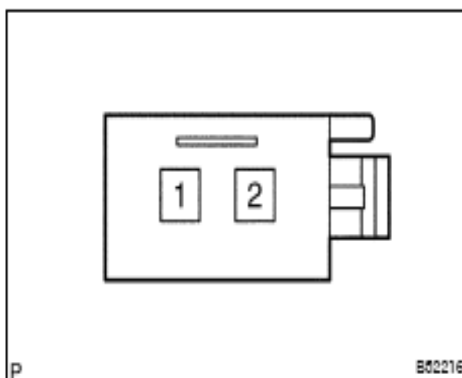


2. INSPECT SEPARATE TYPE FRONT SEAT CUSHION COVER

(a) Inspect the seat cushion heater assembly LH and RH continuity.

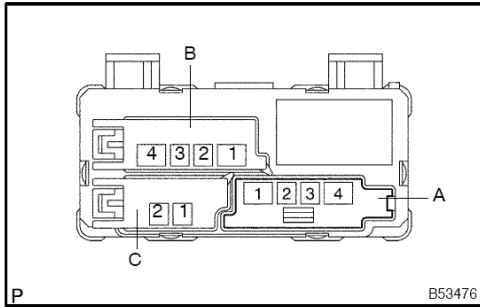
Condition	Tester connection	Specified condition
Constant	1 ↔ 2	Continuity

If continuity is not as specified, replace the front seat cushion cover assembly.



ON-VEHICLE INSPECTION

7204B-01



1. INSPECT SEAT HEATER CONTROL SUB-ASSY

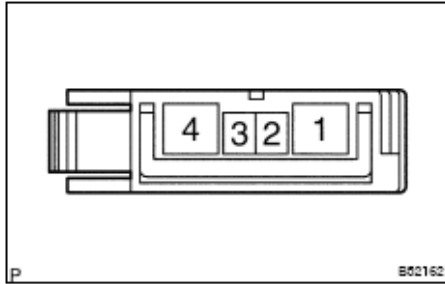
- (a) Disconnect the 3 connectors.
- (b) Inspect the seat heater control.

Tester condition	Connection	Specified condition
A1 ⇔ Body ground	Constant	Continuity
A4 ⇔ Body ground	Constant	10 - 14 V
A3 ⇔ Body ground	Seat heater switch OFF→ON	0 V→10 - 14 V
A2 ⇔ Body ground	Seat heater switch OFF→ON	0 V→10 - 14 V

If the value is not as specified, replace the seat heater control.

- (c) Connect the 3 connectors.
- (d) Inspect the seat heater control.

Tester condition	Connection	Specified condition
B1 ⇔ B2	IG ON, Seat heater switch OFF→ON	0 V→10 - 14 V
C2 ⇔ C1	IG ON, Seat heater switch OFF→ON	0 V→10 - 14 V



P

B02162

3. INSPECT SEPARATE TYPE FRONT SEAT CUSHION COVER

- (a) Inspect the seat back heater assembly LH and RH continuity.

Condition	Tester connection	Specified condition
Constant	1 ↔ 4	Continuity
Seat heater temp. below 25°C (77°F)	2 ↔ 3	Continuity
Seat heater temp. above 45°C (113°F)	2 ↔ 3	No continuity

If continuity is not as specified, replace the front seat back cover assembly.