

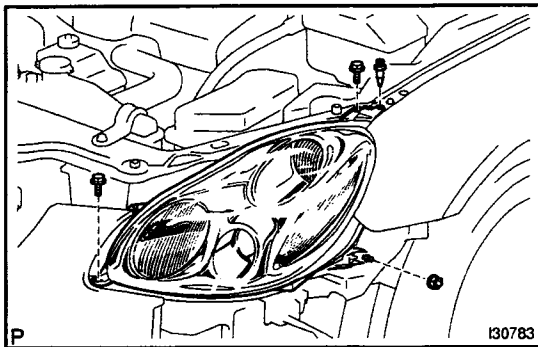
HEAD LIGHT OVERHAUL

HINT:

COMPONENTS: See page 65-5

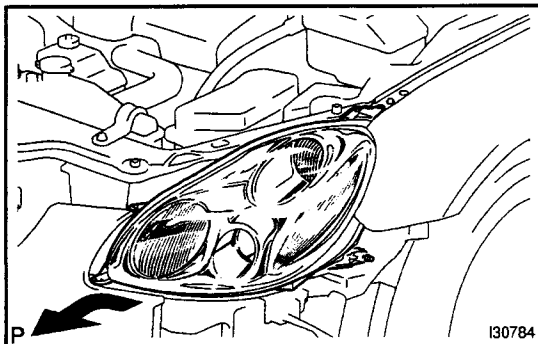
65

1. REMOVE RADIATOR GRILLE
[53111 / 98-69] (See page 76-2)
2. REMOVE FRONT FENDER LINER LH
[53876A / 98-70] (See page 76-2)
3. REMOVE FRONT FENDER LINER RH
[53875A / 98-70] (See page 76-2)
4. REMOVE FRONT BUMPER COVER
[52119A / 98-67] (See page 76-2)

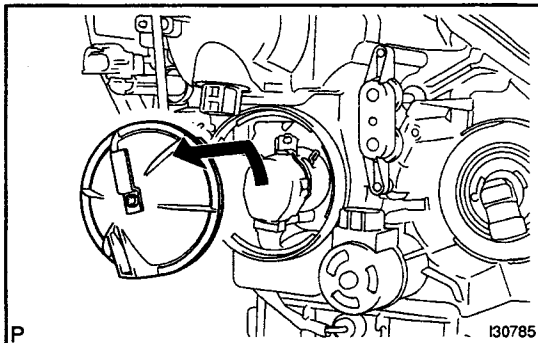


5. REMOVE HEADLAMP UNIT LH
[81175 / 98-111]

(a) Remove the 2 bolts, nut and clip.

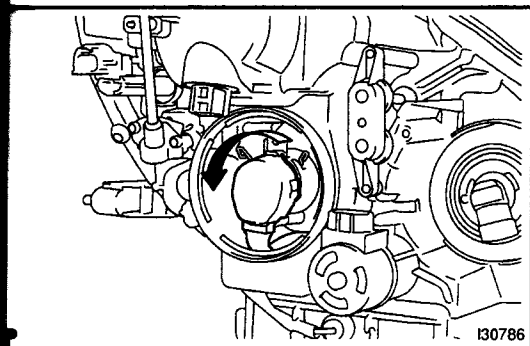


- (b) Disconnect the connectors.
(c) Pull out the headlamp unit forward.

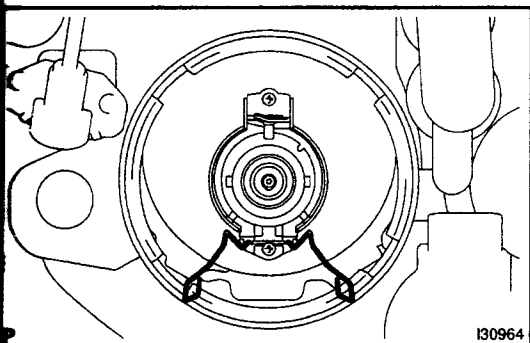


6. REMOVE DISCHARGE HEADLAMP BULB
[81110L / 98-111]

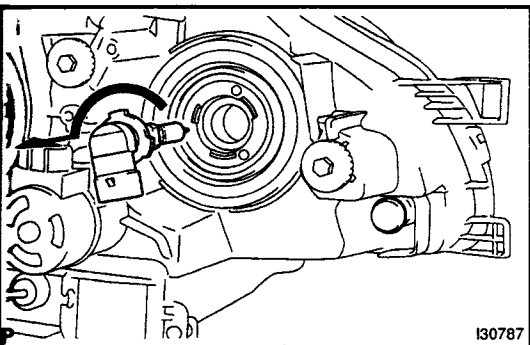
- (a) Remove the connector from the headlamp socket cover.
(b) Rotate the headlamp socket cover in the direction of the arrow and pull it off toward the rear of the vehicle.



- (c) Rotate the bulb socket cover in the direction of the arrow and pull it off toward the rear of the vehicle.



- (d) Release the lock of the set spring and remove the discharge headlamp bulb.



**7. REMOVE HEADLAMP, NO.2 BULB
[81110D / 98-111]**

- (a) Rotate the headlamp No. 2 bulb in the direction of the arrow and pull it off toward the rear of the vehicle.

**8. REMOVE FRONT TURN SIGNAL LAMP BULB
[81510C / 98-111]**

- (a) Remove the front turn signal lamp bulb.

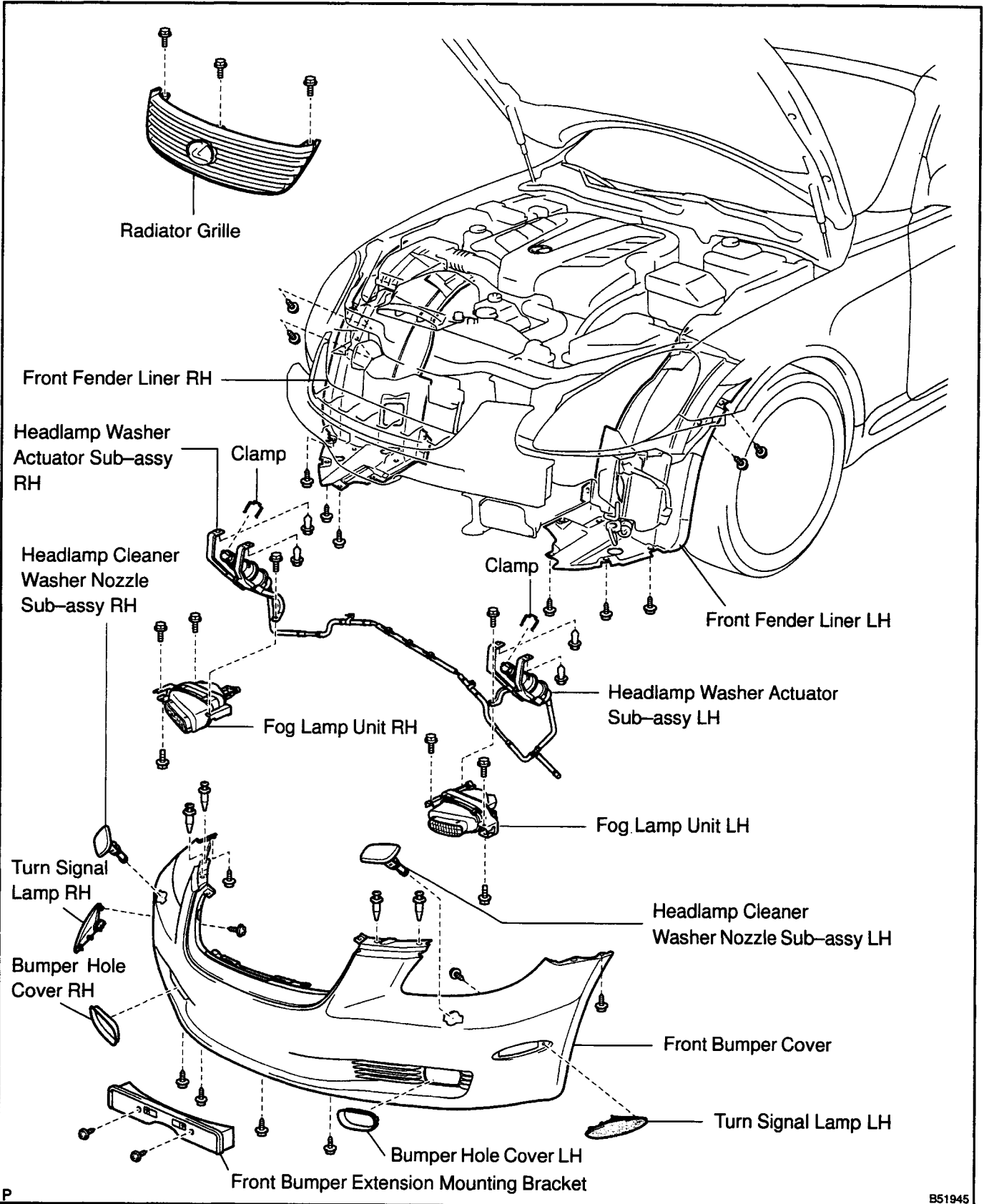
**9. REMOVE CLEARANCE LAMP BULB
[81610F / 98-111]**

- (a) Remove the clearance lamp bulb.

10. HEADLIGHT AIM ONLY (See page 65-10)

FRONT BUMPER COVER COMPONENTS

7603H-02



P

B51945

REPLACEMENT

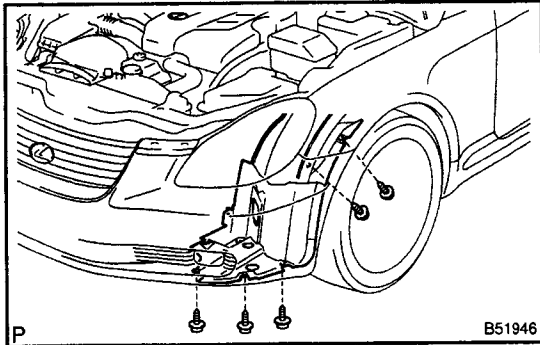
HINT:

Installation is in the reverse order of removal. But, the installation is indicated only when it has a point.

1. REMOVE RADIATOR GRILLE

[53111 / 98-69]

- (a) Remove the 3 bolts and radiator grille.



2. REMOVE FRONT FENDER LINER LH

[53876A / 98-70]

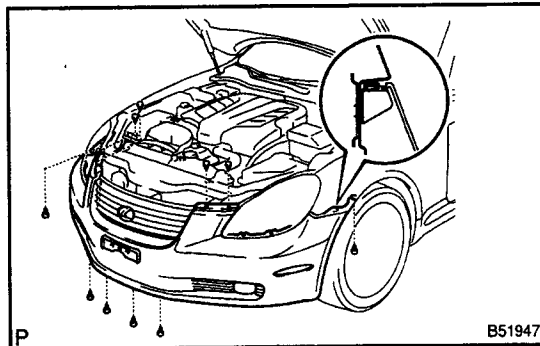
- (a) Remove the 5 screws and a part of the front fender liner LH.

HINT:

Remove the screw and the front fender liner LH within the range that the front bumper cover can be removed.

3. REMOVE FRONT FENDER LINER RH

[53875A / 98-70]



4. REMOVE FRONT BUMPER COVER

[52119A / 98-67]

- (a) Remove the 6 screws and 4 clips.
 (b) Remove the hook and front bumper cover.
 (c) Disconnect the fog lamp connector.
 (d) Disconnect the side turn signal lamp connector.
 (e) Disconnect the washer hose.

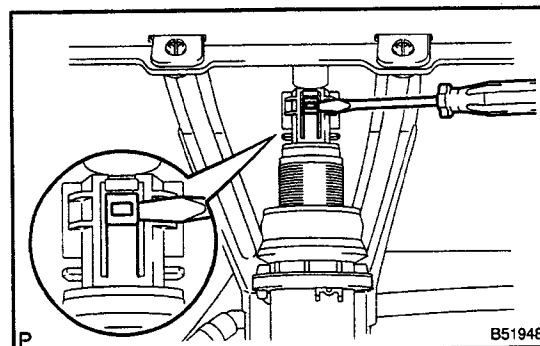
5. REMOVE HEADLAMP WASHER ACTUATOR SUB-ASSY LH

[85208A / 98-145]

- (a) Remove the clamp.
 (b) Using a screwdriver, pull out the front washer nozzle.
 (c) Remove the 2 clips, bolt and head lamp washer actuator.

6. REMOVE HEADLAMP WASHER ACTUATOR SUB-ASSY RH

[85207A / 98-145]



7. REMOVE FOG LAMP LAMP UNIT LH

[81221C / 98-112]

8. REMOVE FOG LAMP LAMP UNIT RH

[81211C / 98-112]

9. REMOVE FRONT BUMPER HOLE COVER LH

[52128B / 98-67]

10. REMOVE FRONT BUMPER HOLE COVER RH

[52127D / 98-67]

11. REMOVE SIDE TURN SIGNAL LAMP ASSY LH

[81740]

12. REMOVE SIDE TURN SIGNAL LAMP ASSY RH

[81730]

13. REMOVE FRONT BUMPER EXTENTION MOUNTING BRACKET

[52114A / 98-67]