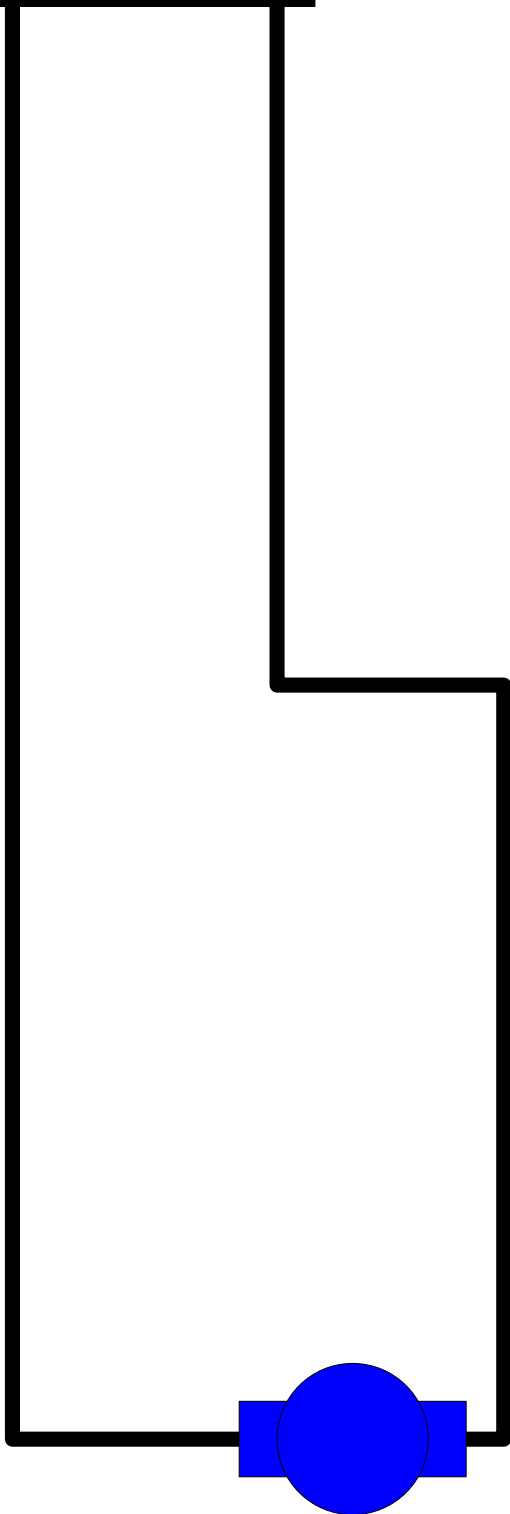


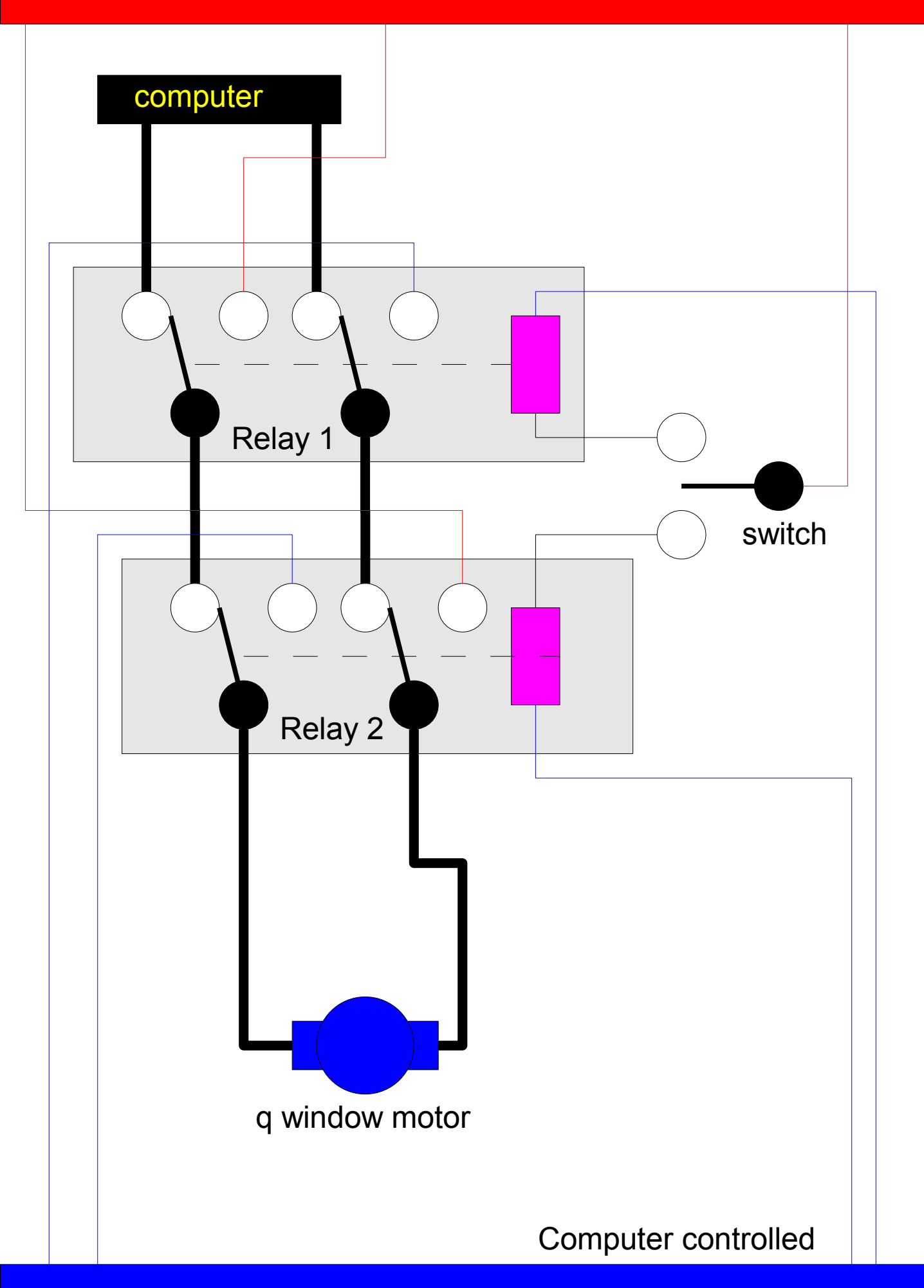
---

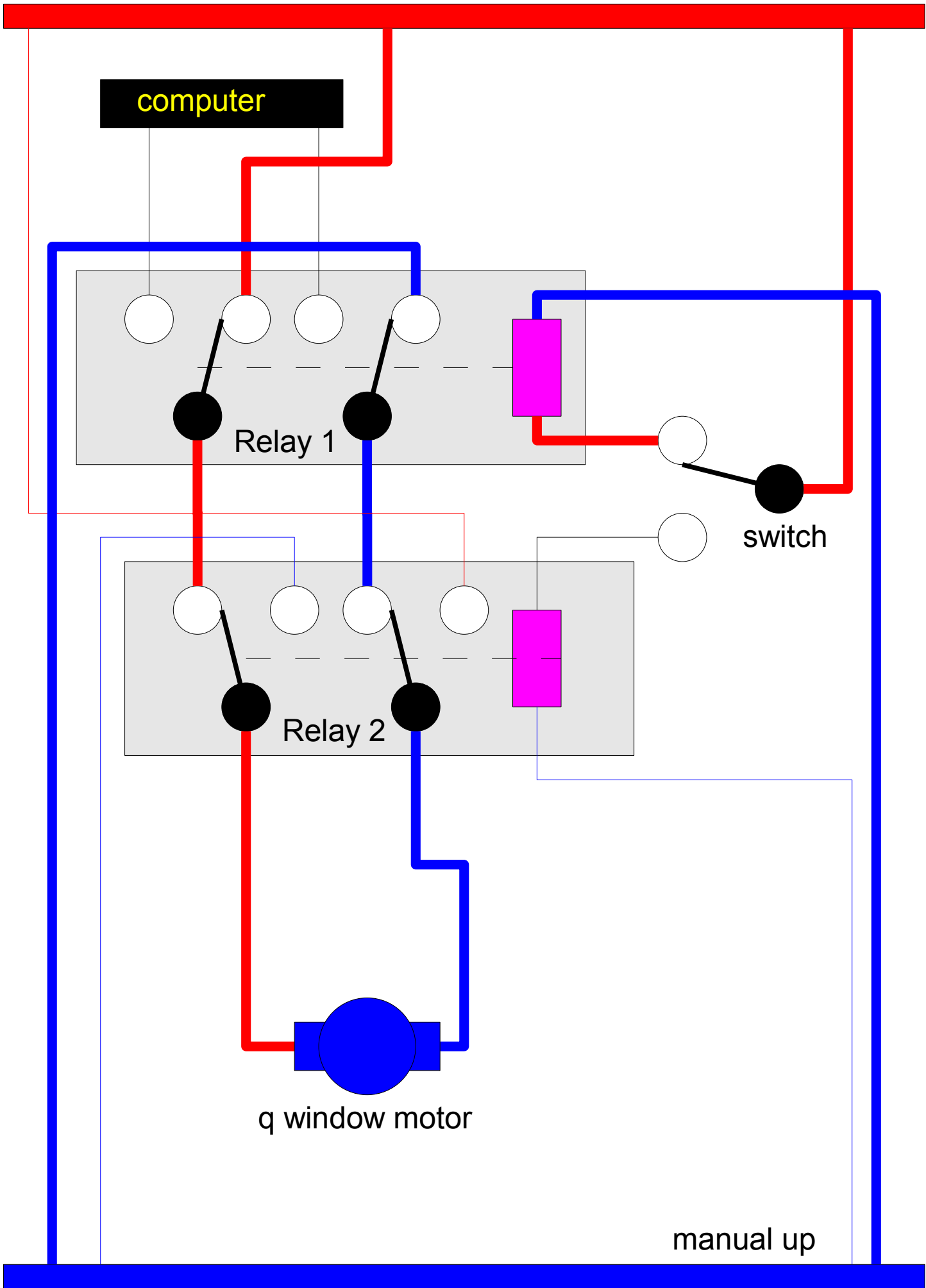
computer

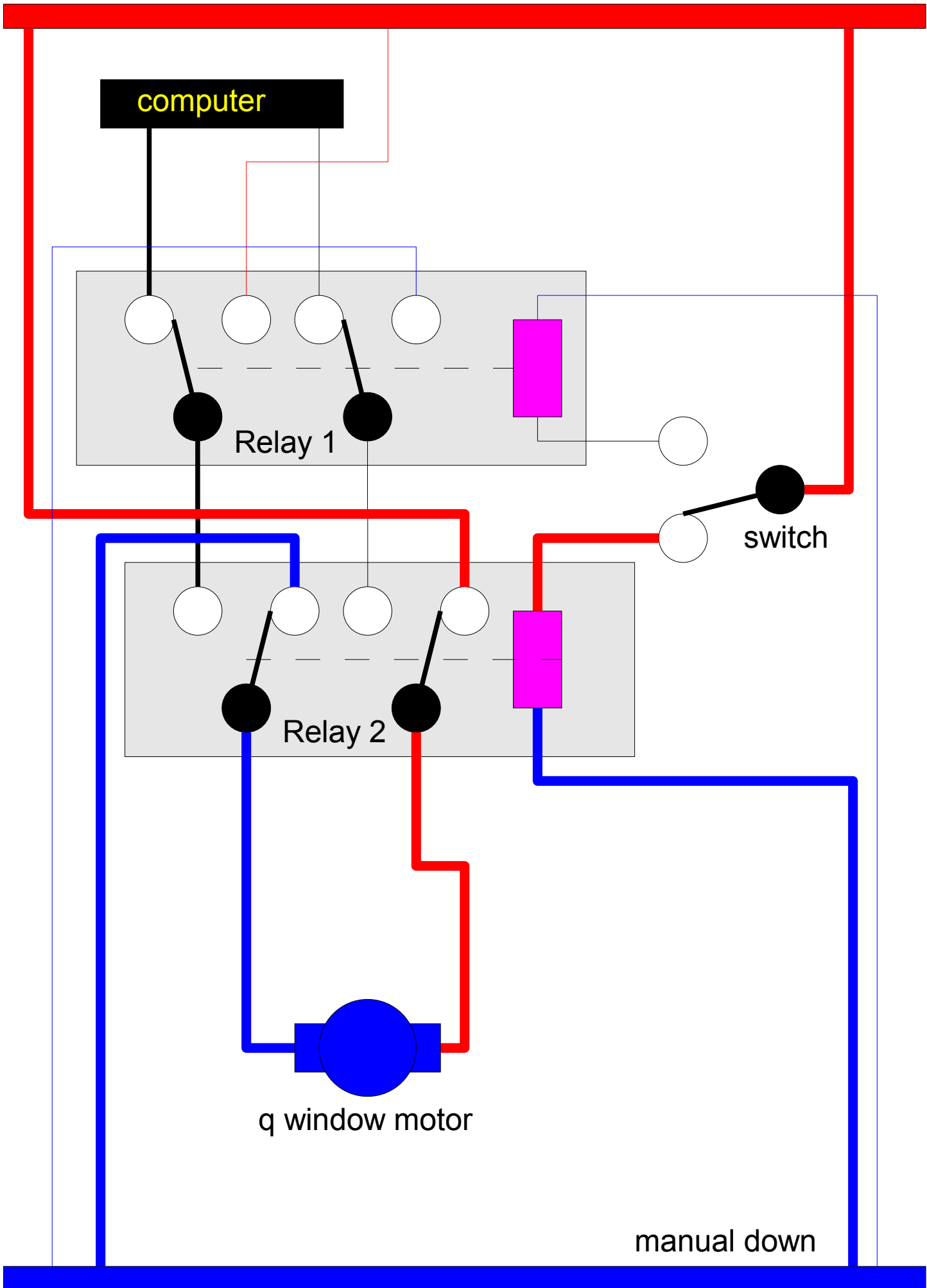


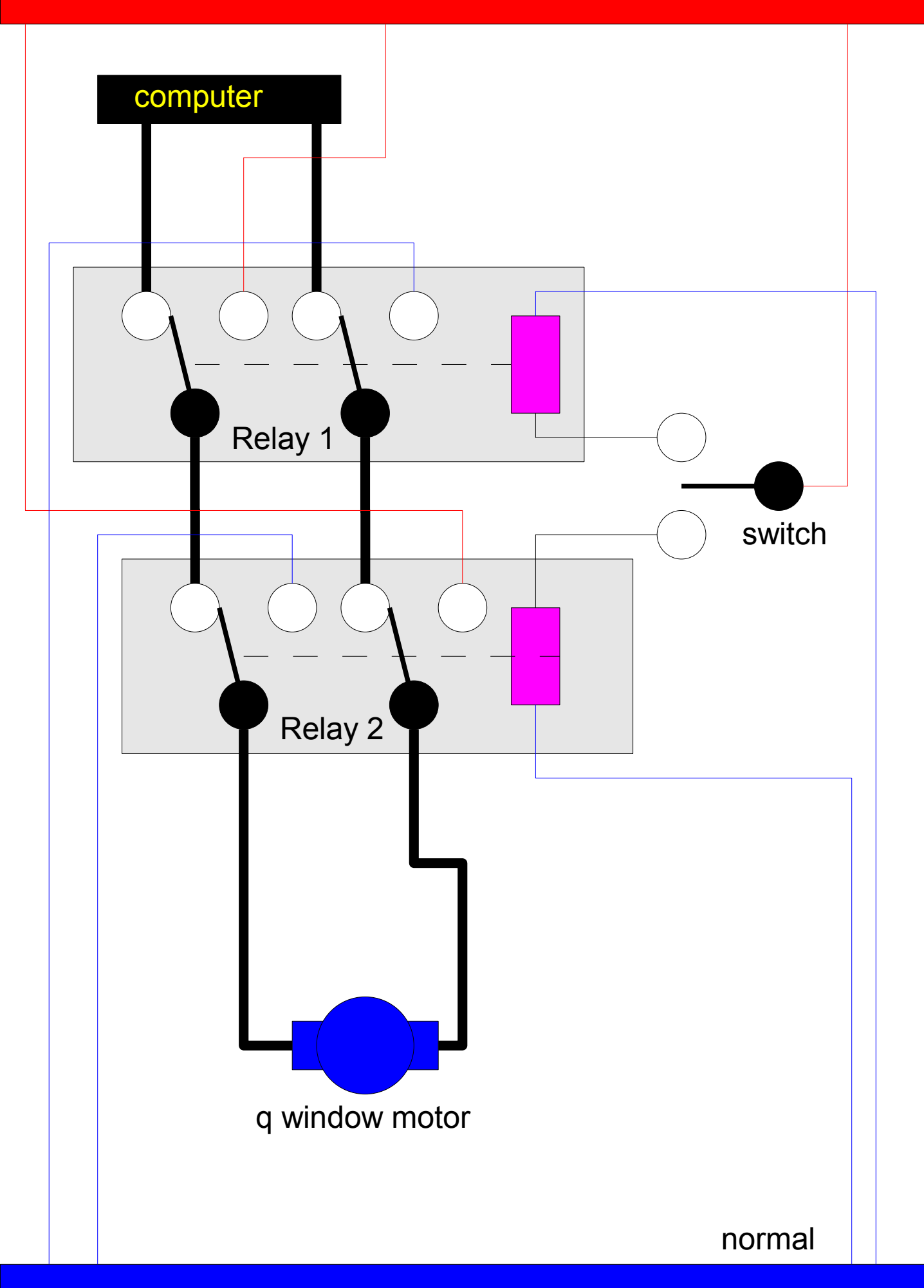
q window motor

---









computer

Relay 1

Relay 2

switch

q window motor

normal