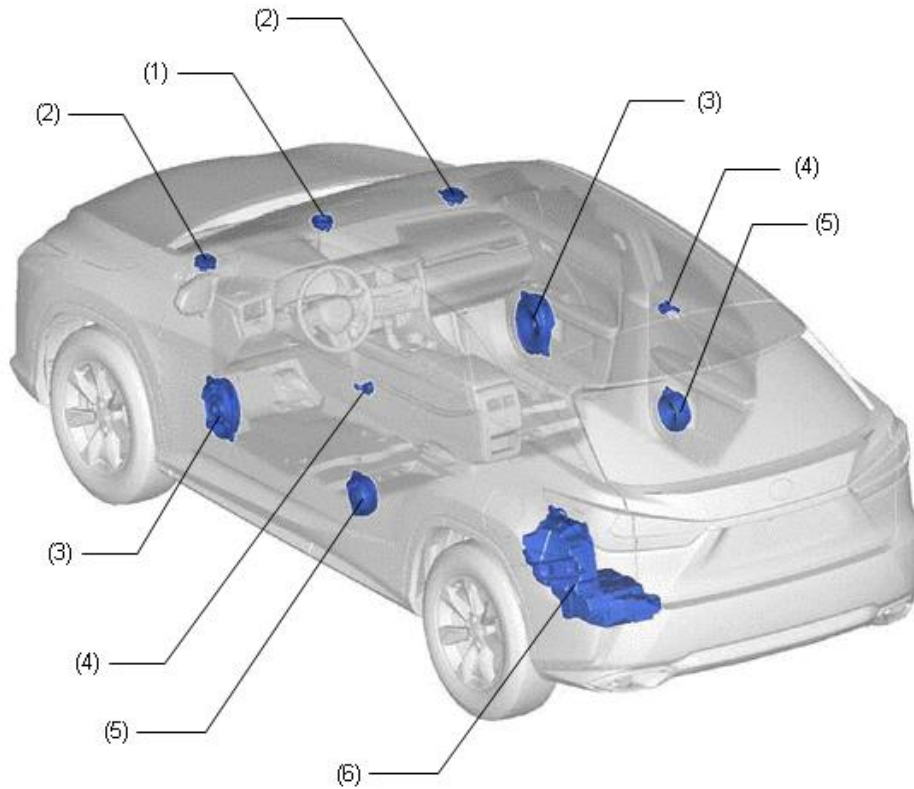


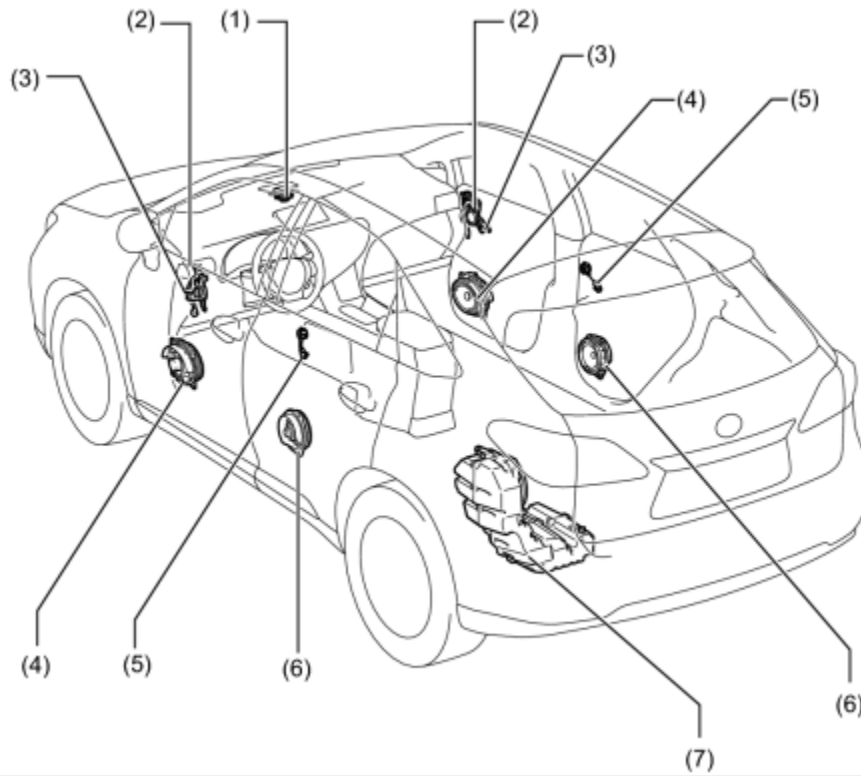
(c) 2016 12-speaker System



H

LOCATION	SPEAKER NAME	QUANTITY	SIZE	IMPEDANCE	RATED INPUT POWER
(1)	Front No. 3 Speaker Assembly	1	9 cm (3.5 in.)	4 Ω	20 W
(2)	Front No. 2 Speaker Assembly	$(1 + 1) \times 2$	9 cm (3.5 in.)	4 Ω	20 W
(3)	Front No. 1 Speaker Assembly	2	18 cm (7.1 in.)	4 Ω	20 W
(4)	Rear No. 2 Speaker Assembly	2	2.5 cm (0.9 in.)	4 Ω	20 W
(5)	Rear Speaker Assembly	2	16 cm (6.3 in.)	4 Ω	20 W
(6)	Rear No. 3 Speaker Assembly	1	20 cm (7.8 in.)	2 Ω	32 W

(c) 2015 12-speaker System



H

LOCATION	SPEAKER TYPE	QUANTITY	SIZE	IMPEDANCE	RATED INPUT POWER
(1)	Center	1	6.5 cm (2.5 in.)	6 Ω	15 W
(2)	Tweeter	2	2.5 cm (0.9 in.)	4 Ω	25 W
(3)	Mid Range	2	6.5 cm (2.5 in.)	4 Ω	21 W
(4)	Woofers	2	15 X 23 cm (6 X 9 in.)	4 Ω	21 W
(5)	Tweeter	2	2.5 cm (0.9 in.)	4 Ω	25 W
(6)	Full Range	2	16 cm (6.2 in.)	4 Ω	21 W
(7)	Sub-woofer	1	20 cm (7.8 in.)	2 Ω	32 W