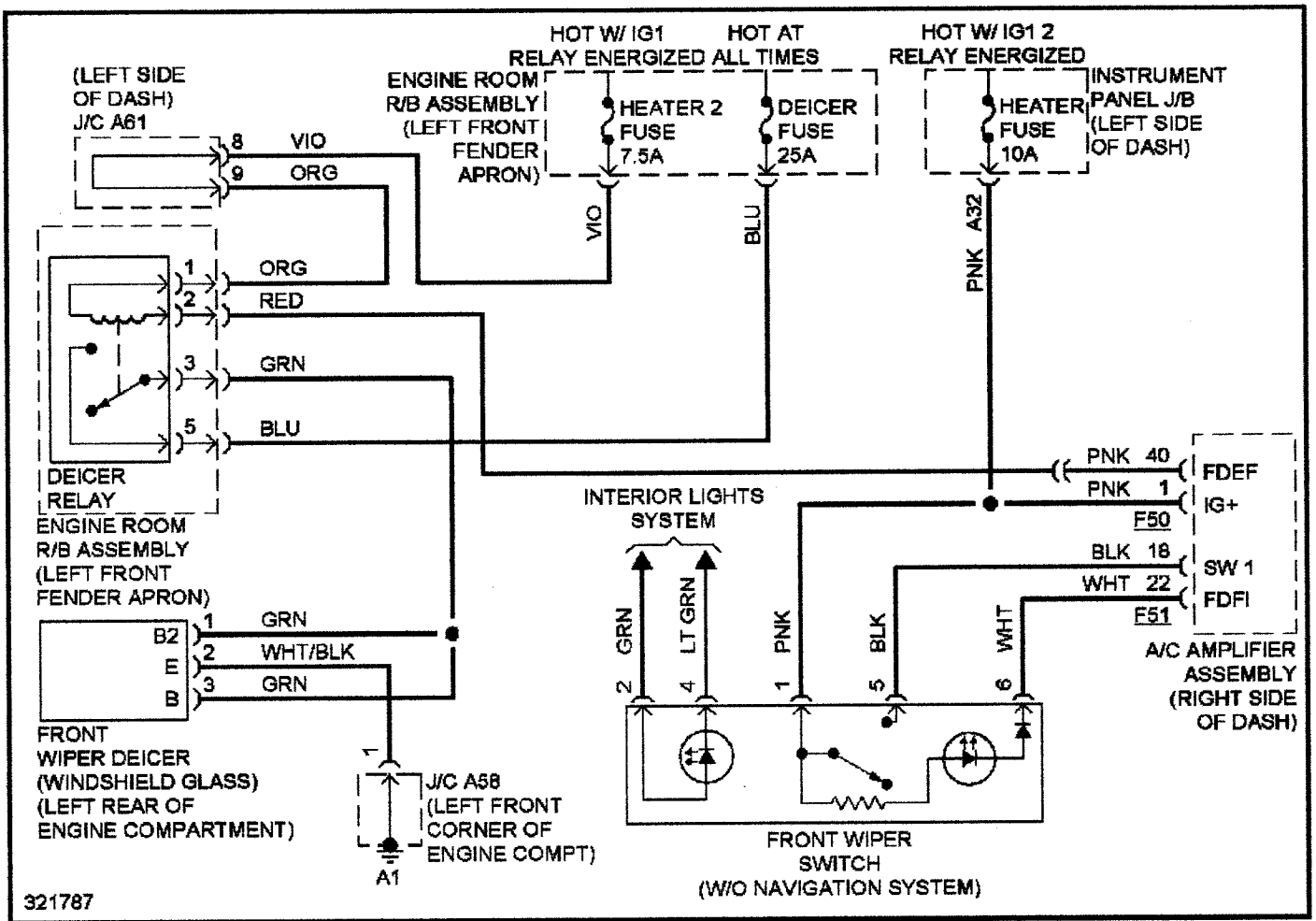


Fig. 21: Front Deicer Circuit



321787