

2008 ACCESSORIES & EQUIPMENT

Instrument Panel - RX 350

INSTRUMENT PANEL SAFETY PAD

PRECAUTION

1. PRECAUTION FOR VEHICLE WITH SRS AIRBAG AND SEAT BELT PRETENSIONER

- a. Some operations in this section may affect the SRS airbags. Prior to performing the corresponding operations, read PRECAUTION .

2. WHEN DISCONNECTING BATTERY NEGATIVE TERMINAL

NOTE: When disconnecting the cable from the negative battery terminal, initialize the following systems after the cable is reconnected.

REFERENCE TABLE

System Name	Information
Lighting System (Adaptive Front-Lighting System)	INITIALIZATION
Power Window Control System	INITIALIZATION
Power Back Door System	INITIALIZATION
Sliding Roof System (for Standard)	INITIALIZATION
Sliding Roof System (for Multi-panel Moon Roof)	INITIALIZATION

COMPONENTS

2008 Lexus RX 350

2008 ACCESSORIES & EQUIPMENT Instrument Panel - RX 350

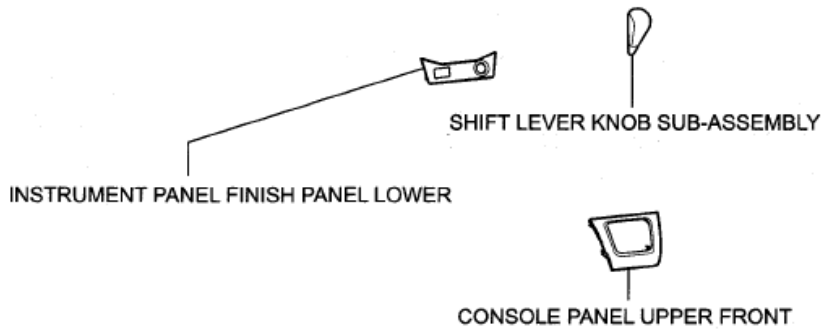
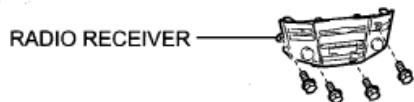
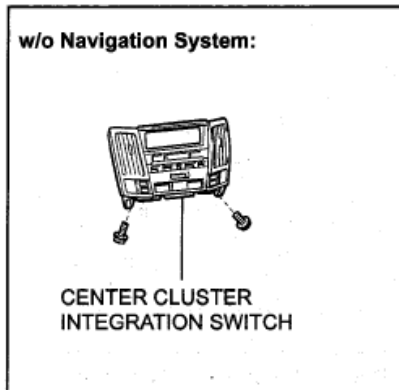
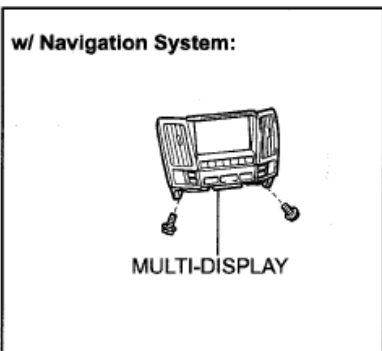
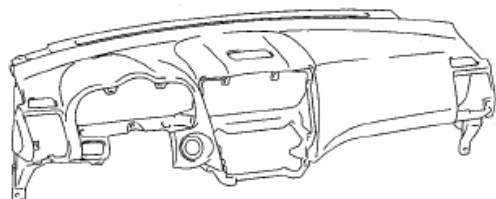
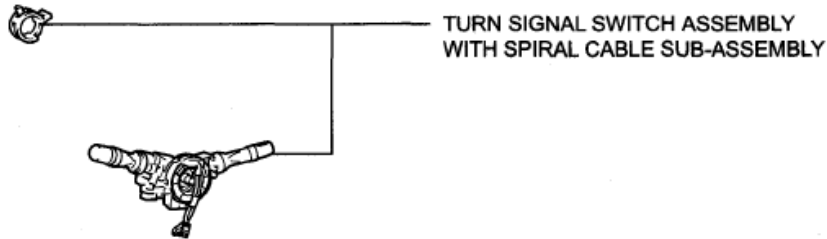
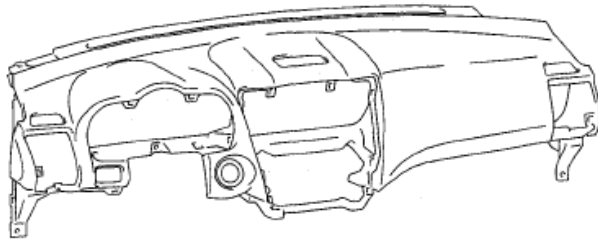


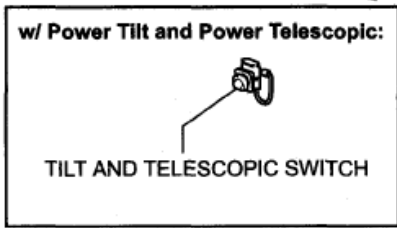
Fig. 1: Identifying Instrument Panel Replacement Components (1 Of 8)
Courtesy of TOYOTA MOTOR SALES, U.S.A., INC.

2008 Lexus RX 350

2008 ACCESSORIES & EQUIPMENT Instrument Panel - RX 350

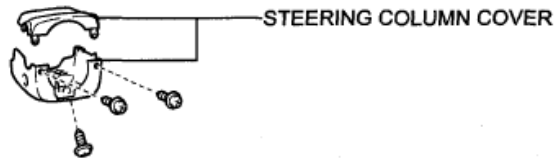


TURN SIGNAL SWITCH ASSEMBLY WITH SPIRAL CABLE SUB-ASSEMBLY



w/ Power Tilt and Power Telescopic:

TILT AND TELESCOPIC SWITCH



STEERING COLUMN COVER

STEERING WHEEL NO.2 COVER LOWER

STEERING WHEEL ASSEMBLY

STEERING WHEEL NO.3 COVER LOWER

8.8 (90, 78 in.*lbf)

50 (510, 37)

STEERING PAD

N*m (kgf*cm, ft.*lbf) : Specified torque

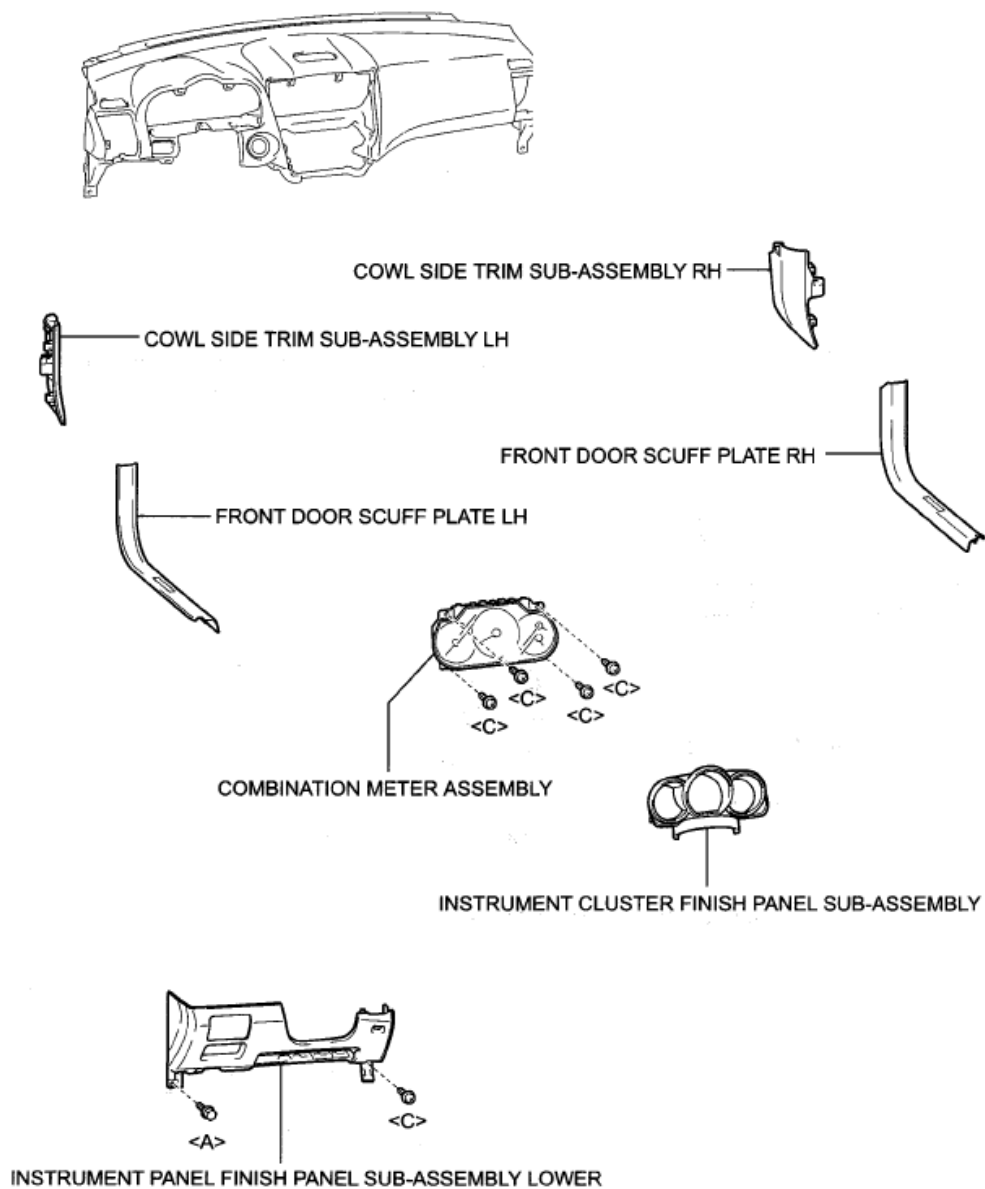
P

8112185E04

Fig. 2: Identifying Instrument Panel Replacement Components With Torque Specifications (2 Of 8)
Courtesy of TOYOTA MOTOR SALES, U.S.A., INC.

2008 Lexus RX 350

2008 ACCESSORIES & EQUIPMENT Instrument Panel - RX 350



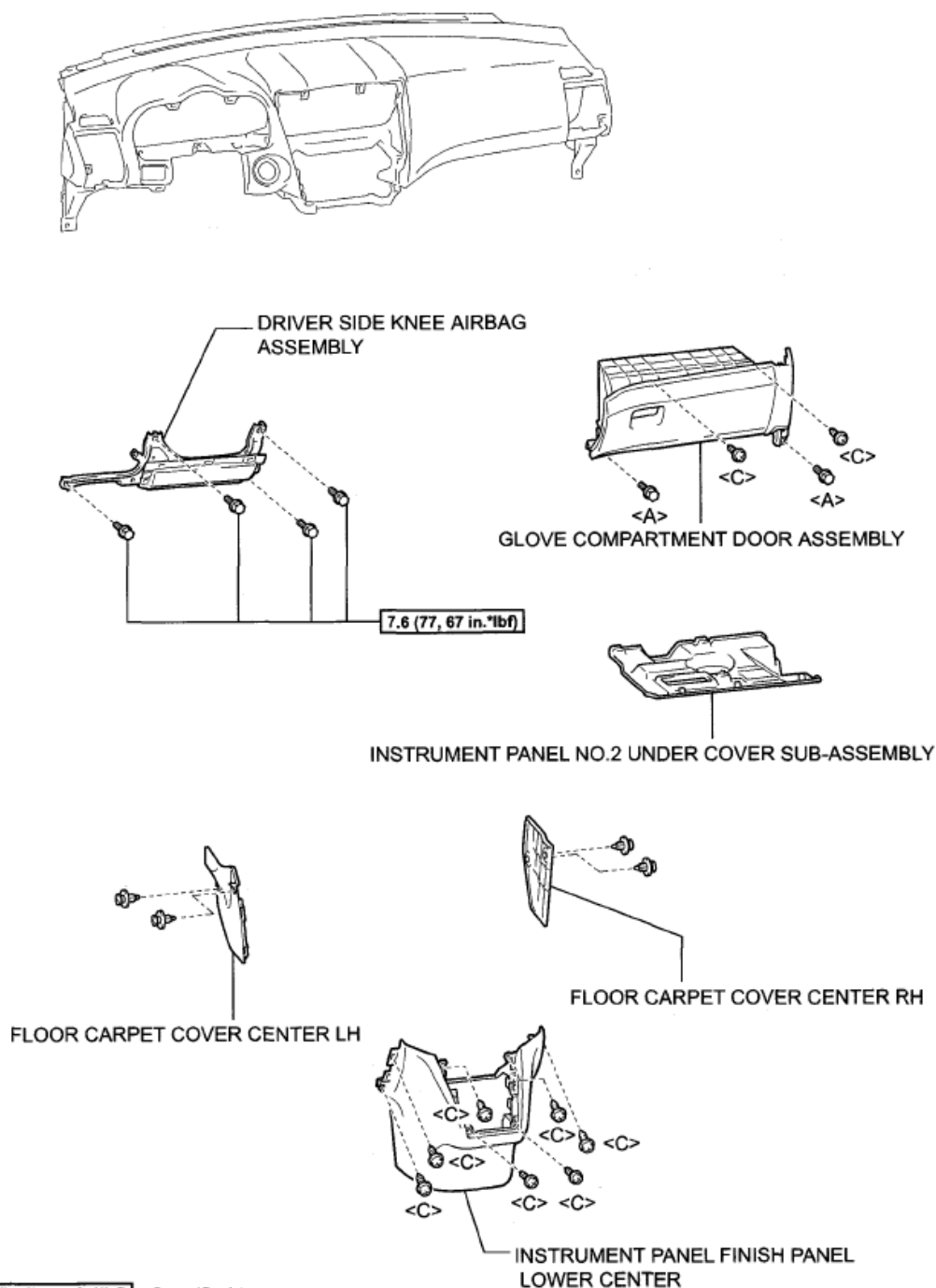
P

B108637E01

Fig. 3: Identifying Instrument Panel Replacement Components (3 Of 8)
Courtesy of TOYOTA MOTOR SALES, U.S.A., INC.

2008 Lexus RX 350

2008 ACCESSORIES & EQUIPMENT Instrument Panel - RX 350



[N*m (kgf*cm, ft.*lbf)] : Specified torque

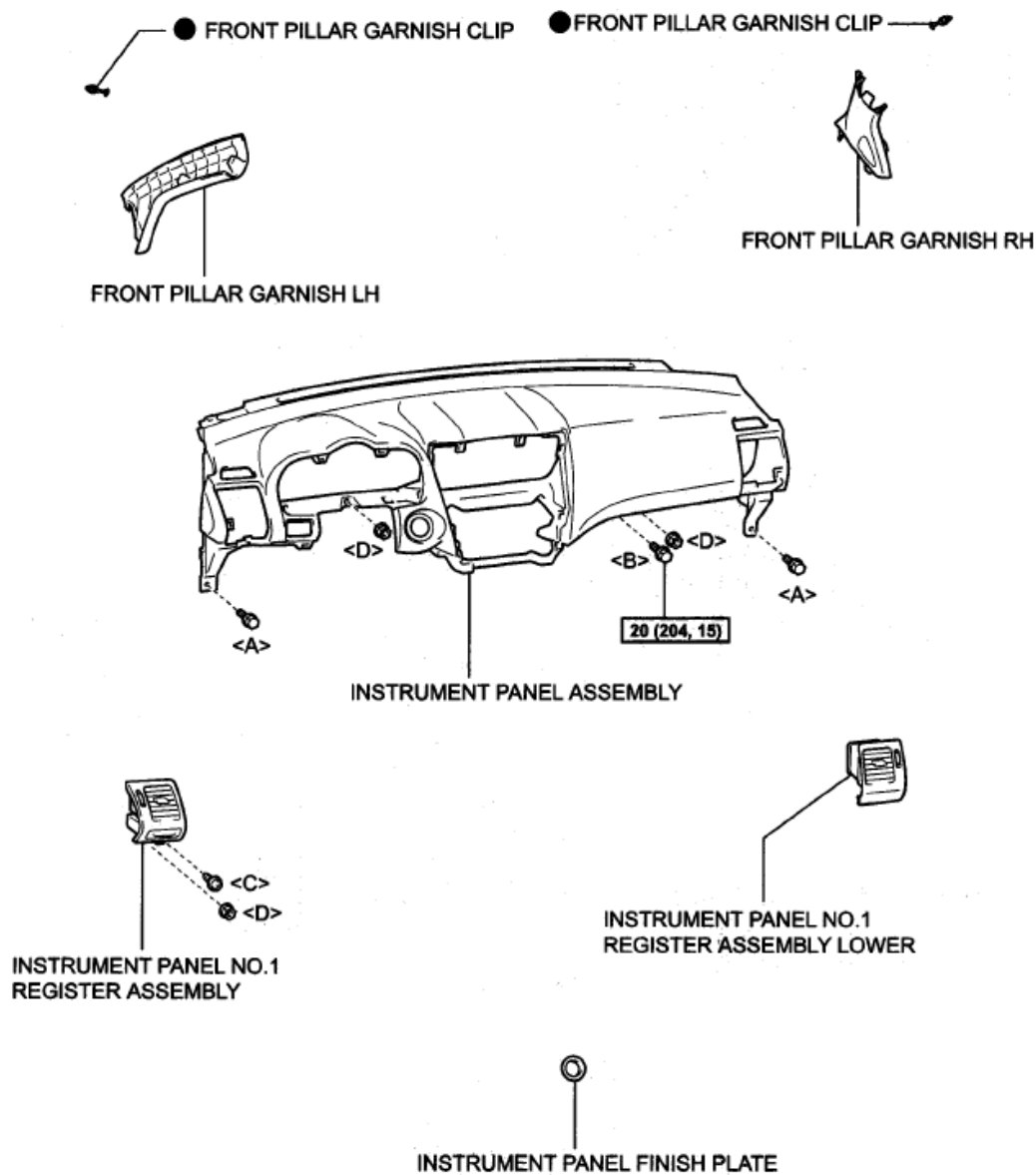
P

B108539ED1

Fig. 4: Identifying Instrument Panel Replacement Components With Torque Specification (4 Of 8)
Courtesy of TOYOTA MOTOR SALES, U.S.A., INC.

2008 Lexus RX 350

2008 ACCESSORIES & EQUIPMENT Instrument Panel - RX 350



N*m (kgf*cm, ft.*lbf) : Specified torque

● Non-reusable part

P

B10838ED1

Fig. 5: Identifying Instrument Panel Replacement Components With Torque Specification (5 Of 8)
Courtesy of TOYOTA MOTOR SALES, U.S.A., INC.

2008 Lexus RX 350

2008 ACCESSORIES & EQUIPMENT Instrument Panel - RX 350

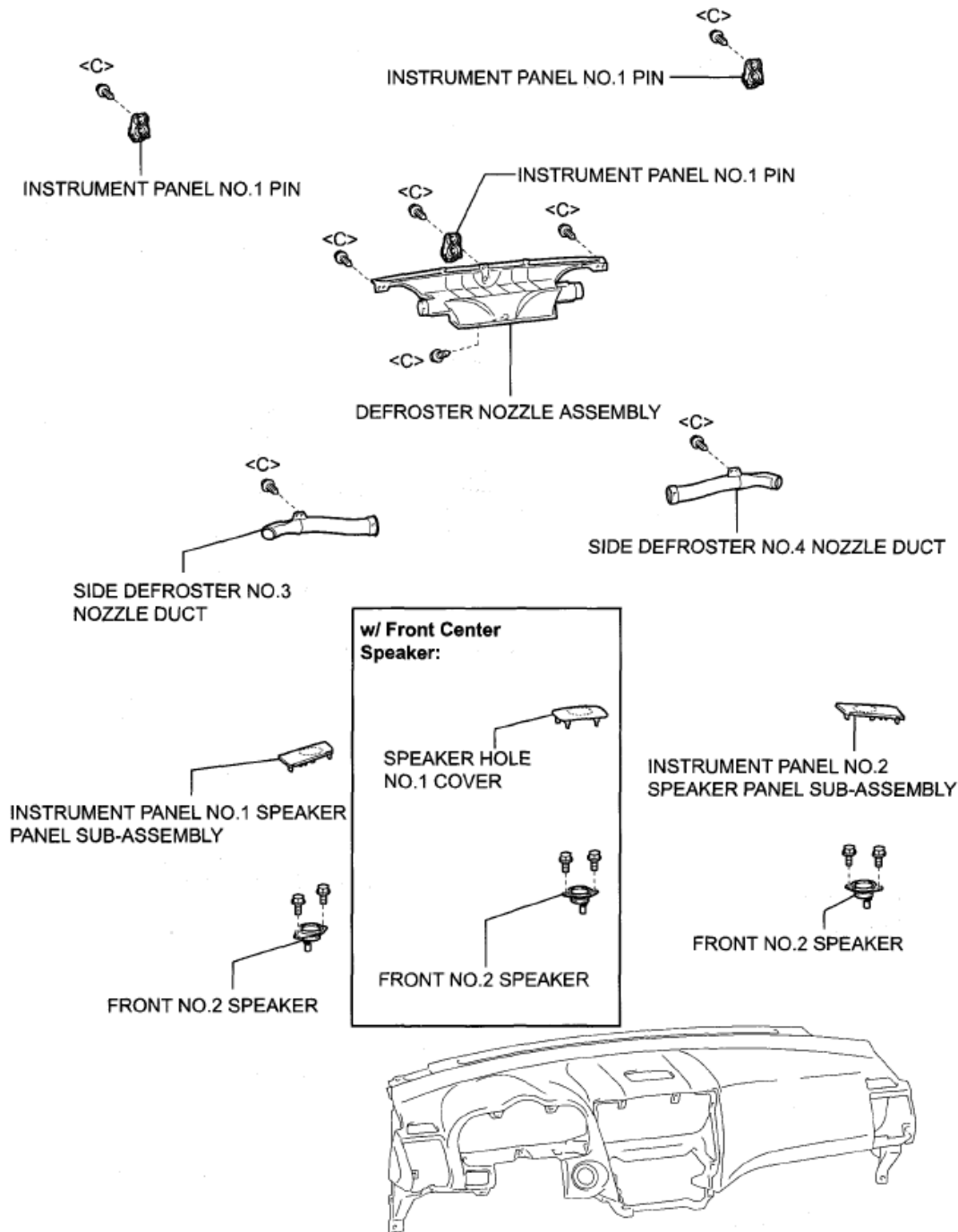
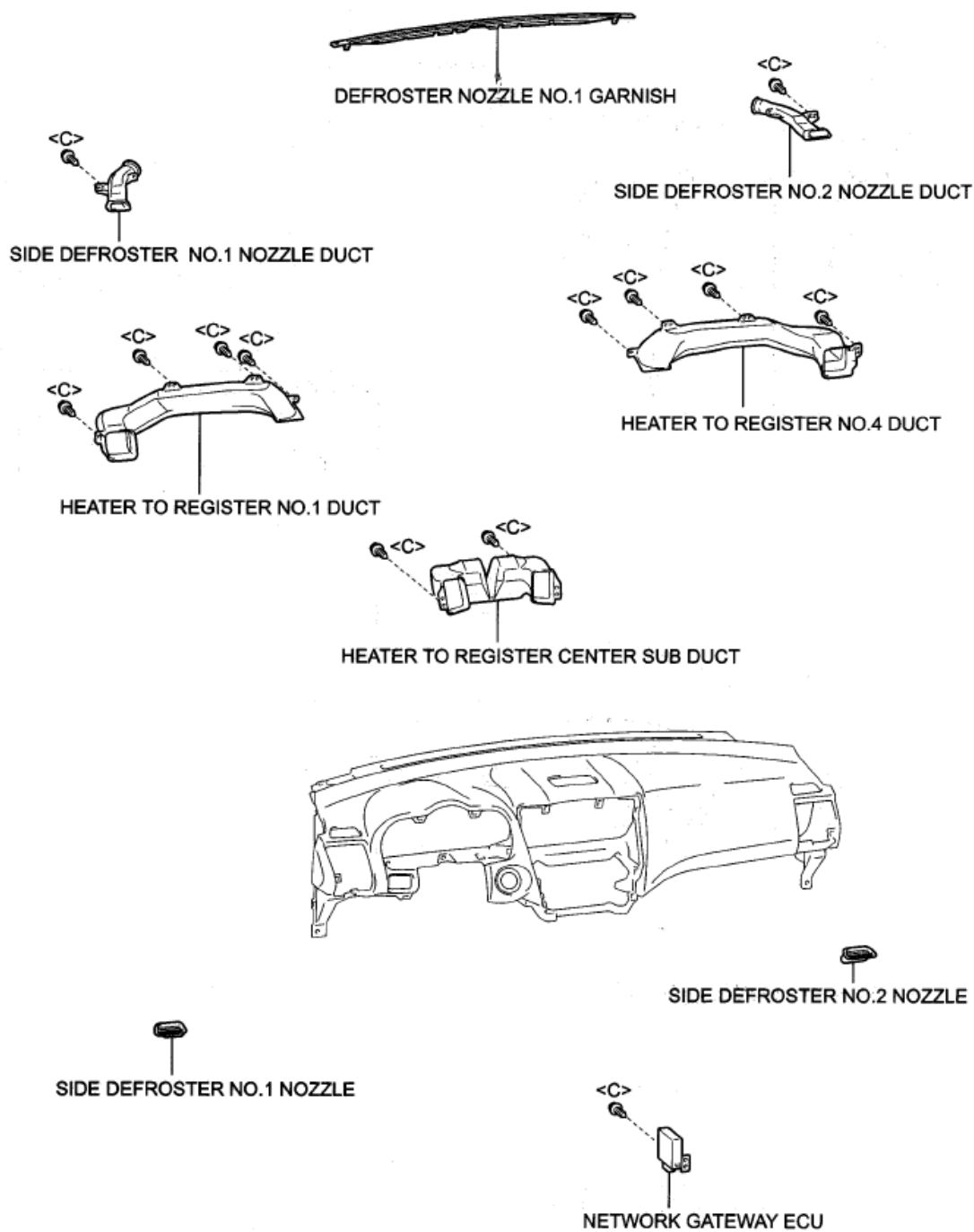


Fig. 6: Identifying Instrument Panel Replacement Components (6 Of 8)
Courtesy of TOYOTA MOTOR SALES, U.S.A., INC.

2008 Lexus RX 350

2008 ACCESSORIES & EQUIPMENT Instrument Panel - RX 350



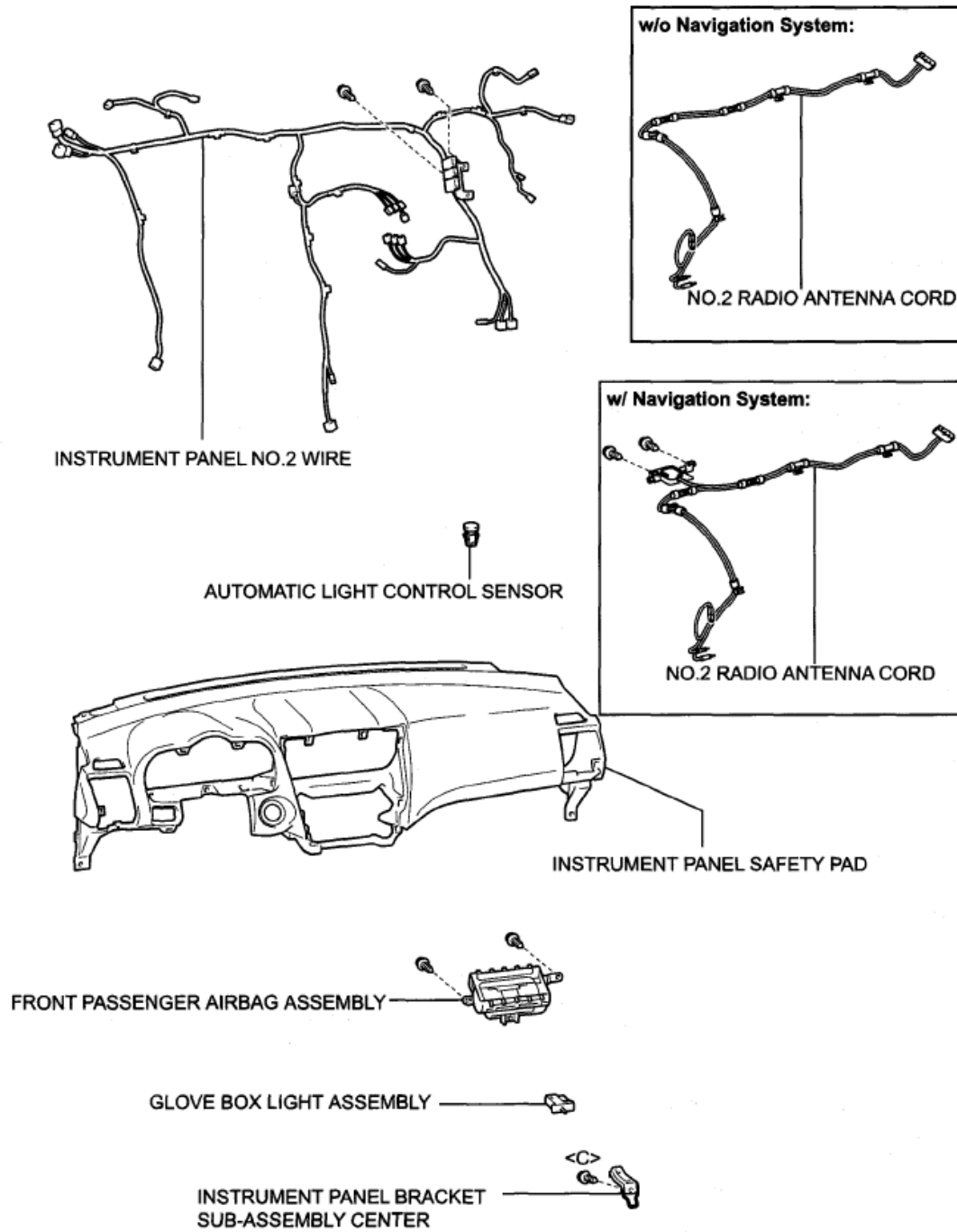
P

B10B541E03

Fig. 7: Identifying Instrument Panel Replacement Components (7 Of 8)
Courtesy of TOYOTA MOTOR SALES, U.S.A., INC.

2008 Lexus RX 350

2008 ACCESSORIES & EQUIPMENT Instrument Panel - RX 350



P

8108542E03

Fig. 8: Identifying Instrument Panel Replacement Components (8 Of 8)
Courtesy of TOYOTA MOTOR SALES, U.S.A., INC.

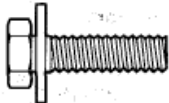
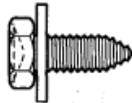

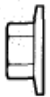
REMOVAL

1. BOLT, SCREW AND NUT TABLE

HINT:

The bolts, screws and nuts, necessary for installation and removal of the instrument panel are shown below.

mm (in.) (L=Length)

Code	Shape	Code	Shape	Code	Shape
<A>	 <p>$\phi=6$ (0.24) L=25 (0.98)</p> <p>91635-60625</p>		 <p>$\phi=8$ (0.31) L=20 (0.79)</p> <p>91635 - 60820</p>	<C>	 <p>$\phi=5$ (0.20) L=16 (0.63)</p> <p>B50922 93567-55016</p>
<D>	 <p>$\phi=6$ (0.24)</p> <p>B51347 90179-06200</p>				

P

B106605E01

Fig. 9: Identifying Bolt, Screw & Nut Specifications Table
 Courtesy of TOYOTA MOTOR SALES, U.S.A., INC.

2. DISCONNECT CABLE FROM NEGATIVE BATTERY TERMINAL

CAUTION: Wait for 90 seconds after disconnecting the cable to prevent the airbag working (See PRECAUTION).

3. REMOVE SHIFT LEVER KNOB SUB-ASSEMBLY

- a. Turn the shift lever knob counterclockwise and remove the shift lever knob sub-assembly.



Fig. 10: Identifying Shift Lever Knob Sub-Assembly
Courtesy of TOYOTA MOTOR SALES, U.S.A., INC.

4. REMOVE CONSOLE PANEL UPPER FRONT

- a. Disengage the 4 clips and remove the console panel upper front.

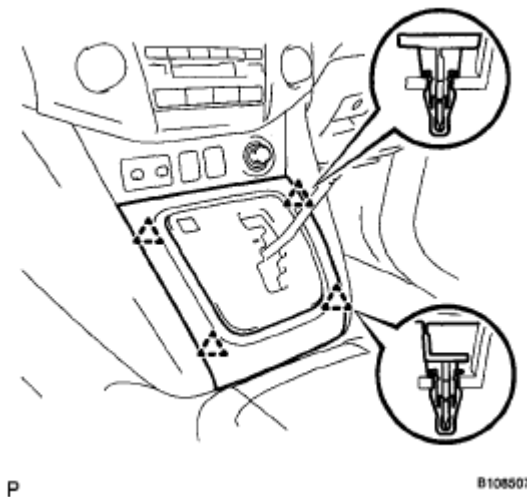
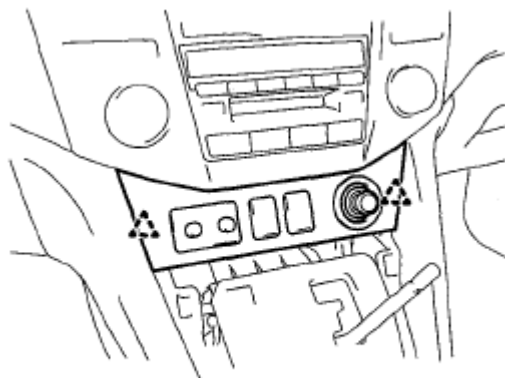


Fig. 11: Identifying Console Panel Upper Front & Clips
Courtesy of TOYOTA MOTOR SALES, U.S.A., INC.

5. REMOVE INSTRUMENT PANEL FINISH PANEL LOWER

- a. Disengage the 2 clips.
- b. Disconnect the connectors and remove the instrument panel finish panel lower.

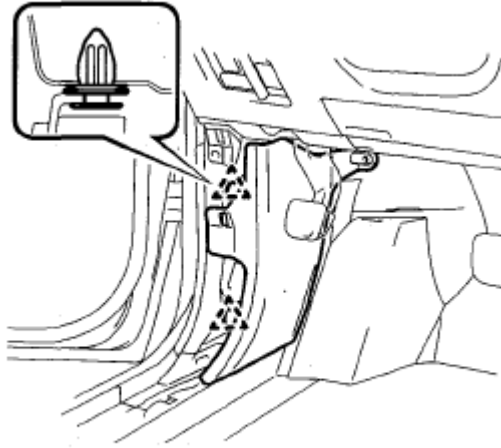


P

0108508

Fig. 12: Identifying Instrument Panel Finish Panel Lower
Courtesy of TOYOTA MOTOR SALES, U.S.A., INC.

6. **REMOVE RADIO RECEIVER** (See REMOVAL)
7. **REMOVE CENTER CLUSTER INTEGRATION SWITCH (w/o Navigation System)** (See REMOVAL)
8. **REMOVE MULTI-DISPLAY (w/ Navigation System)** (See REMOVAL)
9. **REMOVE STEERING WHEEL NO.2 COVER LOWER** (See REMOVAL)
10. **REMOVE STEERING WHEEL NO.3 COVER LOWER** (See REMOVAL)
11. **REMOVE STEERING PAD** (See REMOVAL)
12. **REMOVE STEERING WHEEL ASSEMBLY** (See REMOVAL)
13. **REMOVE STEERING COLUMN COVER** (See REMOVAL)
14. **REMOVE TILT AND TELESCOPIC SWITCH (for Power Tilt and Power Telescopic)** (See REMOVAL)
15. **REMOVE TURN SIGNAL SWITCH ASSEMBLY WITH SPIRAL CABLE SUB-ASSEMBLY**
16. **REMOVE FRONT DOOR SCUFF PLATE LH** (See REMOVAL)
17. **REMOVE COWL SIDE TRIM SUB-ASSEMBLY LH**
 - a. Remove the 2 clips and the cowl side trim sub-assembly LH.



P

0108509

Fig. 13: Identifying Cowl Side Trim Sub-Assembly LH Clips
Courtesy of TOYOTA MOTOR SALES, U.S.A., INC.

18. REMOVE INSTRUMENT PANEL FINISH PANEL SUB-ASSEMBLY LOWER

- a. Using a screwdriver, open the instrument panel finish panel sub-assembly lower cover.

HINT:

Tape the screwdriver tip before use.

- b. Remove the bolt < A > and the screw < C >.
- c. Disconnect the hood lock control cable assembly.
- d. Disengage the 5 claws and the 4 clips.
- e. Disconnect the connectors and remove the instrument panel finish panel sub-assembly lower.

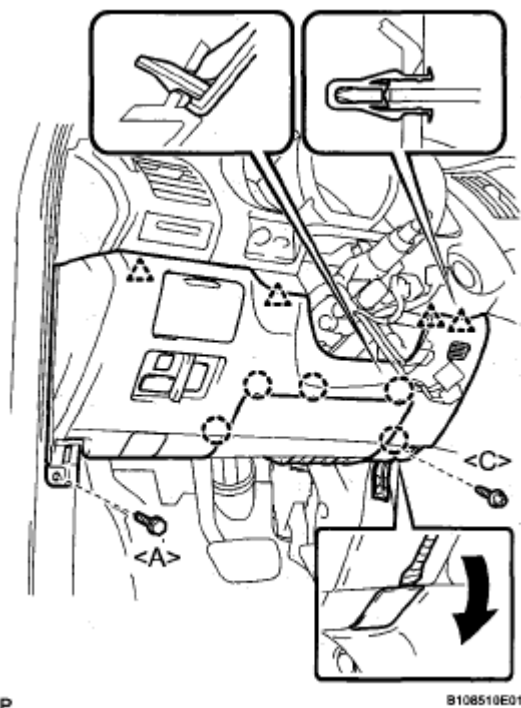


Fig. 14: Identifying Instrument Panel Finish Panel Sub-Assembly Lower
Courtesy of TOYOTA MOTOR SALES, U.S.A., INC.

19. REMOVE DRIVER SIDE KNEE AIRBAG ASSEMBLY (See REMOVAL)
20. REMOVE INSTRUMENT CLUSTER FINISH PANEL SUB-ASSEMBLY
 - a. Disengage the 4 clips and remove the instrument cluster finish panel sub-assembly.

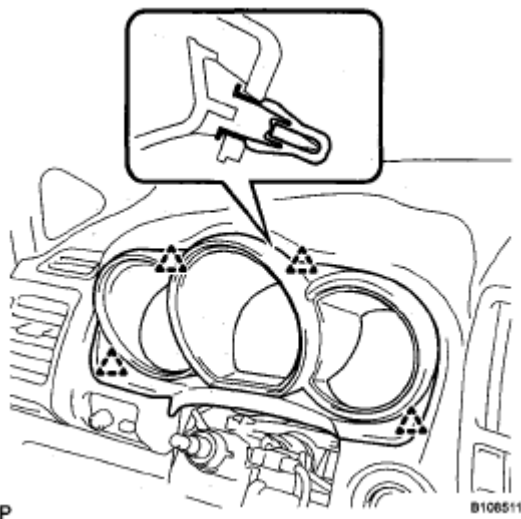


Fig. 15: Identifying Instrument Cluster Finish Panel Sub-Assembly & Clips
Courtesy of TOYOTA MOTOR SALES, U.S.A., INC.

21. REMOVE COMBINATION METER ASSEMBLY

- a. Remove the 4 screws < C >.
- b. Pull out the combination meter assembly, then disconnect the connectors.

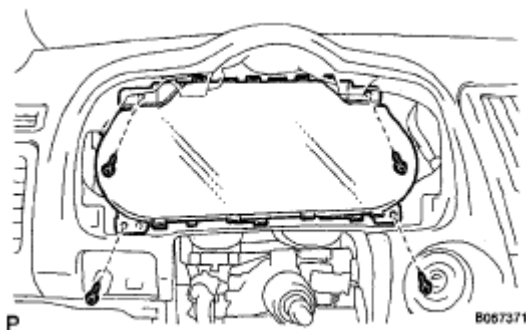


Fig. 16: Identifying Combination Meter Assembly
Courtesy of TOYOTA MOTOR SALES, U.S.A., INC.

22. REMOVE FRONT DOOR SCUFF PLATE RH

HINT:

Use the same procedures for the RH side and the LH side.

23. REMOVE COWL SIDE TRIM SUB-ASSEMBLY RH

HINT:

Use the same procedures for the RH side and the LH side.

24. REMOVE INSTRUMENT PANEL NO.2 UNDER COVER SUB-ASSEMBLY

- a. Using a screwdriver, push the 3 claws in the direction indicated by the arrow to disengage and remove the guide on the front of the vehicle.

HINT:

Tape the screwdriver tip before use.

- b. Disconnect the connectors and remove the instrument panel No. 2 under cover sub-assembly.

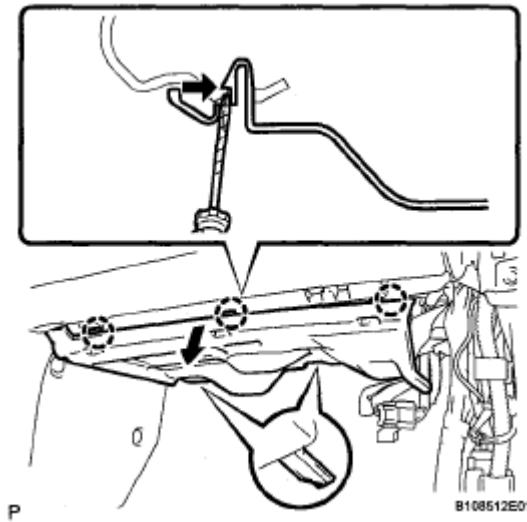


Fig. 17: Identifying Instrument Panel No. 2 Under Cover Sub-Assembly
Courtesy of TOYOTA MOTOR SALES, U.S.A., INC.

25. REMOVE GLOVE COMPARTMENT DOOR ASSEMBLY

- a. Remove the 2 bolts < A > and the 2 screws < C >.

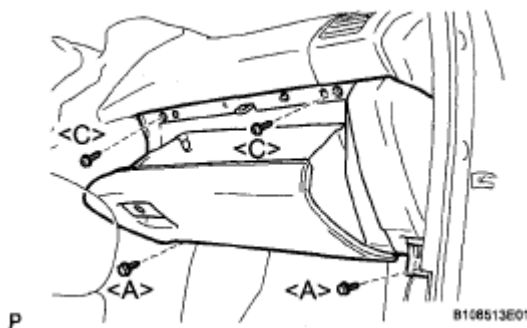


Fig. 18: Identifying Glove Compartment Door Assembly
Courtesy of TOYOTA MOTOR SALES, U.S.A., INC.

- b. Pull the glove compartment door assembly to the rear to remove it.
- c. Disconnect the connector.

26. REMOVE FLOOR CARPET COVER CENTER LH

- a. Remove the 2 clips from the floor carpet cover center LH.



P

8108514

Fig. 19: Identifying Floor Carpet Cover Center LH
Courtesy of TOYOTA MOTOR SALES, U.S.A., INC.

- b. Depress the edge of the floor carpet cover center LH around the claws to disengage the 2 claws below the floor carpet cover center LH.
- c. Slide the floor carpet cover center LH to the front of the vehicle, and disengage the 2 claws from the instrument panel finish panel lower center at the floor carpet cover center LH.
- d. Remove the floor carpet cover center LH.

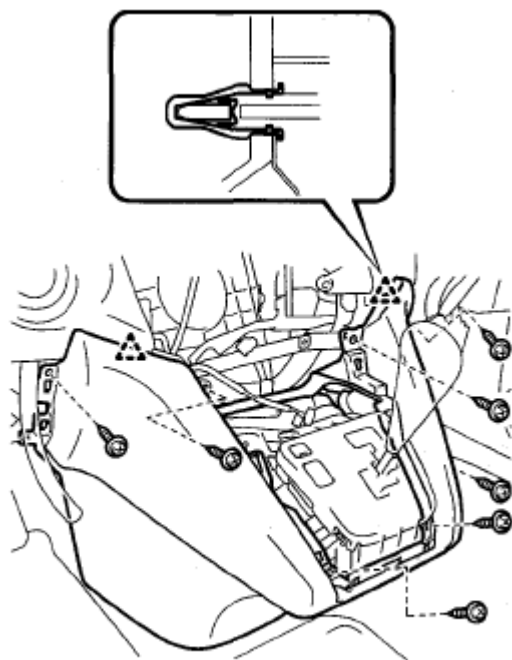
27. REMOVE FLOOR CARPET COVER CENTER RH

HINT:

Use the same procedures for RH side and the LH side.

28. REMOVE INSTRUMENT PANEL FINISH PANEL LOWER CENTER

- a. Remove the 7 screws < C >.
- b. Disengage the 2 clips and remove the instrument panel finish panel lower center.



P

B108516

Fig. 20: Identifying Instrument Panel Finish Panel Lower Center
Courtesy of TOYOTA MOTOR SALES, U.S.A., INC.

29. **REMOVE FRONT PILLAR GARNISH LH** (See **REMOVAL**)
30. **REMOVE FRONT PILLAR GARNISH RH**

HINT:

Use the same procedures for the RH side and the LH side.

31. **REMOVE INSTRUMENT PANEL FINISH PLATE**
32. **REMOVE INSTRUMENT PANEL NO. 1 REGISTER ASSEMBLY**
 - a. Remove the screw < C > and nut < D >.
 - b. Using a screwdriver, lever up the 2 claws on the body from inside of the register.

HINT:

Tape the screwdriver tip before use.

- c. Disengage the 2 clips and remove the instrument panel No. 1 register assembly.

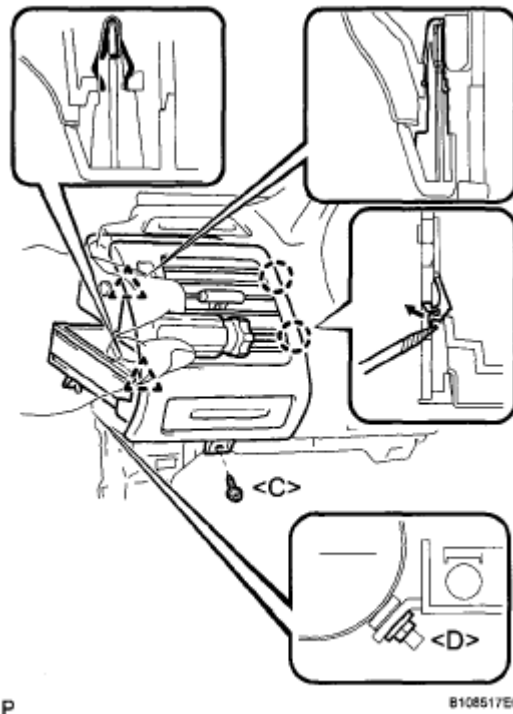


Fig. 21: Identifying Instrument Panel No. 1 Register Assembly Clips
Courtesy of TOYOTA MOTOR SALES, U.S.A., INC.

33. REMOVE INSTRUMENT PANEL NO. 1 REGISTER ASSEMBLY LOWER

- a. Using a screwdriver, lever up the 2 claws on the body from inside of the register.

HINT:

Tape the screwdriver tip before use.

- b. Disengage the 3 clips and remove the instrument panel No. 1 register assembly lower.

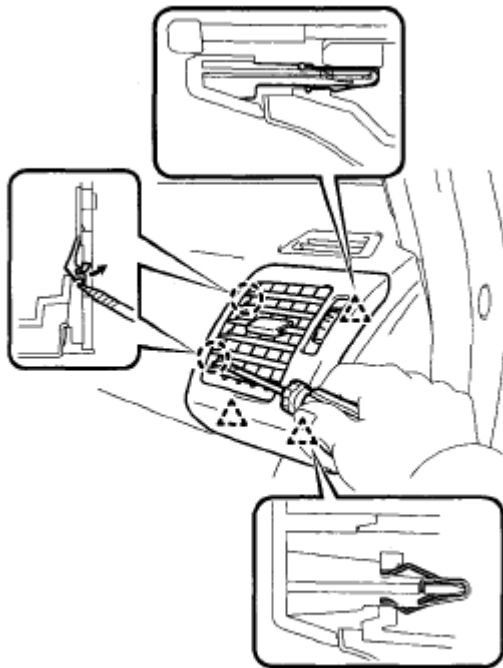


Fig. 22: Identifying Instrument Panel No. 1 Register Assembly Lower
Courtesy of TOYOTA MOTOR SALES, U.S.A., INC.

34. REMOVE INSTRUMENT PANEL ASSEMBLY

- a. Remove the 2 bolts < A >, bolt < B > and 2 nuts < D >.
- b. Disconnect each of the clamps and the connectors.
- c. Pull the instrument panel assembly to the rear and check that none of the wire harness is stuck in the body.

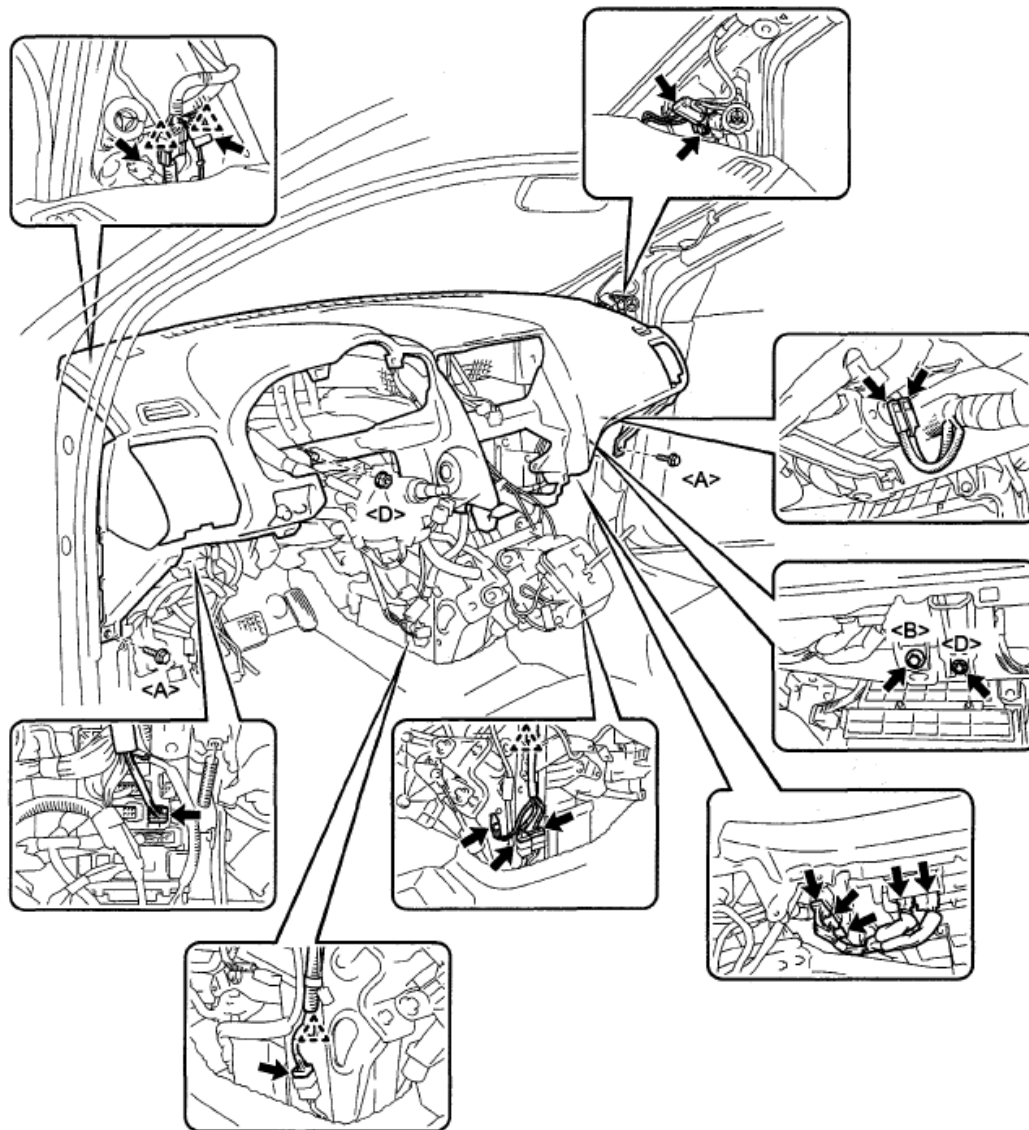
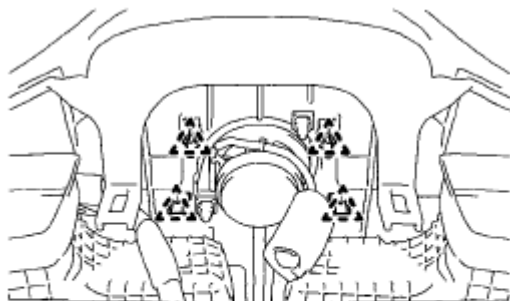


Fig. 23: Identifying Instrument Panel Assembly Bolts & Nuts
Courtesy of TOYOTA MOTOR SALES, U.S.A., INC.

DISASSEMBLY

1. **REMOVE SPEAKER HOLE NO.1 COVER (w/ Front Center Speaker)**
 - a. Disengage the 4 clips and remove the speaker hole No. 1 cover.

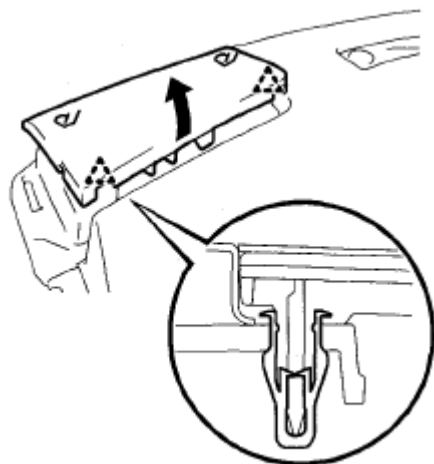


P

B108620

Fig. 24: Identifying Speaker Hole No. 1 Cover Clips
Courtesy of TOYOTA MOTOR SALES, U.S.A., INC.

2. **REMOVE INSTRUMENT PANEL NO. 1 SPEAKER PANEL SUB-ASSEMBLY**
 - a. Disengage the 2 clips and remove the instrument panel No. 1 speaker panel sub-assembly.



P

B108621

Fig. 25: Identifying Instrument Panel No. 1 Speaker Panel Sub-Assembly Clips
Courtesy of TOYOTA MOTOR SALES, U.S.A., INC.

3. **REMOVE INSTRUMENT PANEL NO. 2 SPEAKER PANEL SUB-ASSEMBLY**

HINT:

Use the same procedures for the instrument panel No. 2 speaker panel sub-assembly and the instrument panel No.1 speaker panel sub-assembly.

4. **REMOVE FRONT NO. 2 SPEAKER (w/ Front Center Speaker) (See REMOVAL)**
5. **REMOVE FRONT NO. 2 SPEAKER (for Driver Side) (See REMOVAL)**

6. REMOVE FRONT NO. 2 SPEAKER (for Front Passenger Side)

HINT:

Use the same procedures for the driver side and passenger side.

7. REMOVE SIDE DEFROSTER NO. 3 NOZZLE DUCT

- a. Remove the screw < C > and the side defroster No. 3 nozzle duct.

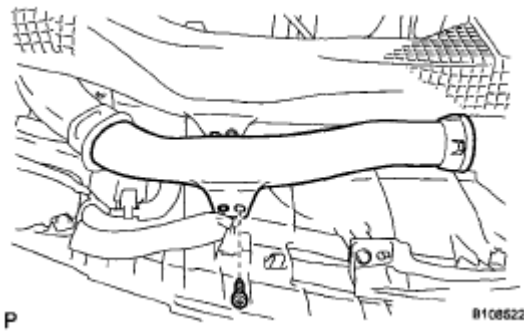


Fig. 26: Identifying Side Defroster No. 3 Nozzle Duct Screw
Courtesy of TOYOTA MOTOR SALES, U.S.A., INC.

8. REMOVE SIDE DEFROSTER NO. 4 NOZZLE DUCT

HINT:

Use the same procedures for the side defroster No. 4 nozzle duct and the side defroster No. 3 nozzle duct.

9. REMOVE INSTRUMENT PANEL NO. 1 PIN

- a. Remove the screw < C > and the instrument panel No. 1 pin.



Fig. 27: Identifying Instrument Panel No. 1 Pin Screw
Courtesy of TOYOTA MOTOR SALES, U.S.A., INC.

10. REMOVE DEFROSTER NOZZLE ASSEMBLY

- a. Remove the 3 screws < C > and the defroster nozzle assembly.

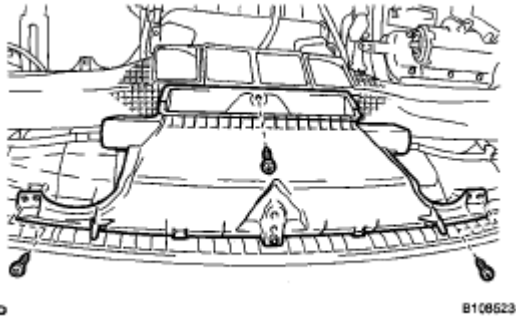


Fig. 28: Identifying Defroster Nozzle Assembly Screws
Courtesy of TOYOTA MOTOR SALES, U.S.A., INC.

11. REMOVE HEATER TO REGISTER NO.1 DUCT

- a. Remove the 4 screws < C > and the heater to register No. 1 duct.

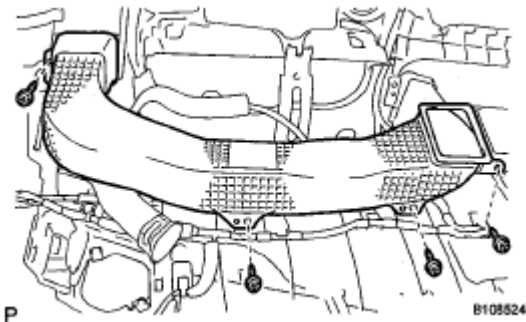


Fig. 29: Identifying Heater To Register No. 1 Duct Screws
Courtesy of TOYOTA MOTOR SALES, U.S.A., INC.

12. REMOVE HEATER TO REGISTER NO. 4 DUCT

HINT:

Use the same procedures for the heater to register No. 4 duct and the heater to register No. 1 duct.

13. REMOVE HEATER TO REGISTER CENTER SUB DUCT

- a. Remove the 2 screws < C > and the heater to register center sub duct.

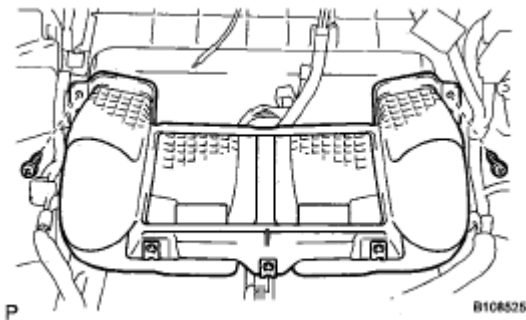


Fig. 30: Identifying Heater To Register Center Sub Duct Screws
Courtesy of TOYOTA MOTOR SALES, U.S.A., INC.

14. REMOVE SIDE DEFROSTER NO.1 NOZZLE DUCT

- a. Remove the screw < C > and the side defroster No. 1 nozzle duct.

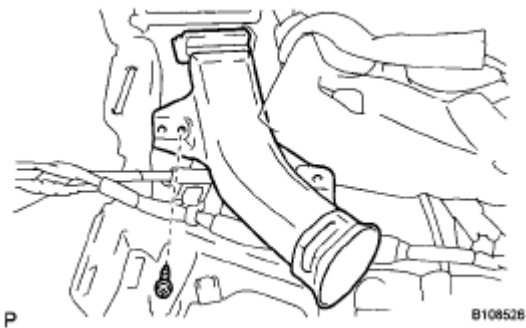


Fig. 31: Identifying Side Defroster No. 1 Nozzle Duct Screw
Courtesy of TOYOTA MOTOR SALES, U.S.A., INC.

15. REMOVE SIDE DEFROSTER NO. 2 NOZZLE DUCT

HINT:

Use the same procedures for the side defroster No. 2 nozzle duct and the side defroster No. 1 nozzle duct.

16. REMOVE SIDE DEFROSTER NO.1 NOZZLE

- a. Disengage the 2 claws and remove the side defroster No. 1 nozzle.



Fig. 32: Identifying Side Defroster No. 1 Nozzle Claws
Courtesy of TOYOTA MOTOR SALES, U.S.A., INC.

17. REMOVE SIDE DEFROSTER NO.2 NOZZLE

HINT:

Use the same procedures for the side defroster No. 2 nozzle and the side defroster No. 1 nozzle.

18. REMOVE NETWORK GATEWAY ECU

- a. Remove the screw < C > and the network gateway ECU.

19. REMOVE DEFROSTER NOZZLE NO. 1 GARNISH

- a. Disengage the 2 clips and 4 claws then remove the defroster nozzle No. 1 garnish.



Fig. 33: Identifying Defroster Nozzle No. 1 Garnish Clips & Claws
Courtesy of TOYOTA MOTOR SALES, U.S.A., INC.

20. REMOVE INSTRUMENT PANEL BRACKET SUB-ASSEMBLY CENTER

- a. Remove the screw < C > and the instrument panel bracket sub-assembly center.

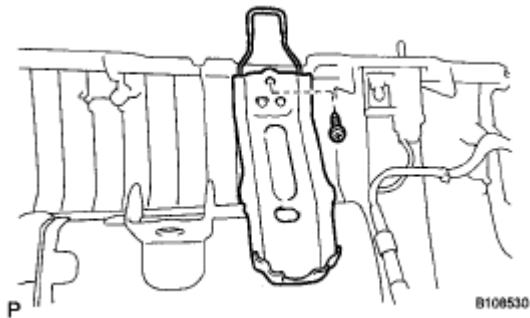


Fig. 34: Identifying Instrument Panel Bracket Sub-Assembly Center Screw
Courtesy of TOYOTA MOTOR SALES, U.S.A., INC.

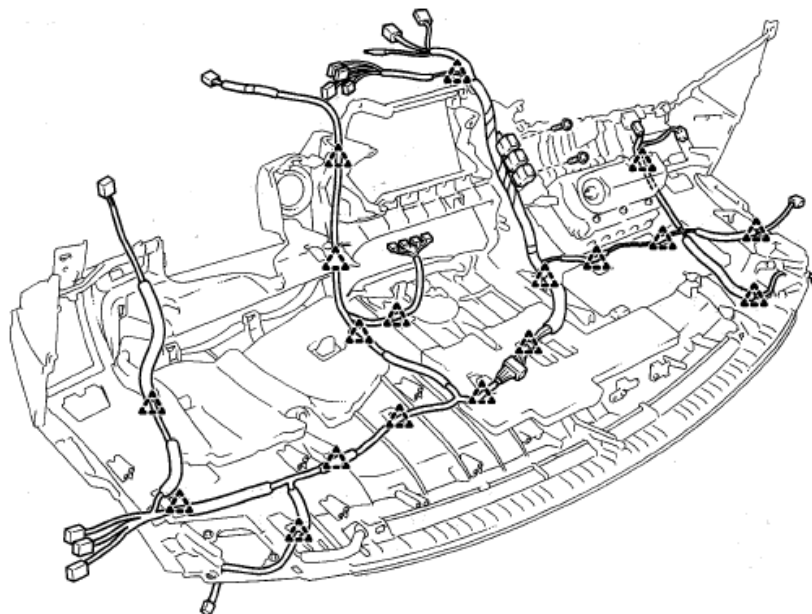
21. REMOVE GLOVE BOX LIGHT ASSEMBLY

- a. Disconnect the connector.
- b. Disengage the 2 claws and remove the glove box light assembly.



Fig. 35: Identifying Glove Box Light Assembly
Courtesy of TOYOTA MOTOR SALES, U.S.A., INC.

22. **REMOVE NO.2 RADIO ANTENNA CORD (w/o Navigation System) (See REMOVAL)**
23. **REMOVE NO.2 RADIO ANTENNA CORD (w/ Navigation System) (See REMOVAL)**
24. **REMOVE INSTRUMENT PANEL NO. 2 WIRE**
 - a. Remove the 2 screws.
 - b. Disengage the 18 clamps and remove the instrument panel No. 2 wire.



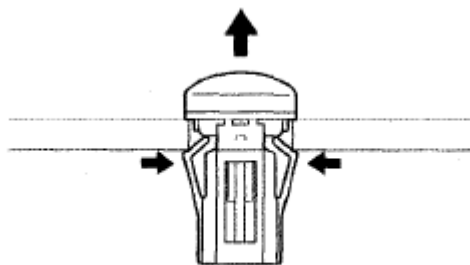
△: Clamp
P

B108531E01

Fig. 36: Identifying Instrument Panel No. 2 Wire Clamps & Screws
Courtesy of TOYOTA MOTOR SALES, U.S.A., INC.

25. REMOVE AUTOMATIC LIGHT CONTROL SENSOR

- a. Remove the automatic light control sensor.



P

B061293

Fig. 37: Identifying Automatic Light Control Sensor
Courtesy of TOYOTA MOTOR SALES, U.S.A., INC.

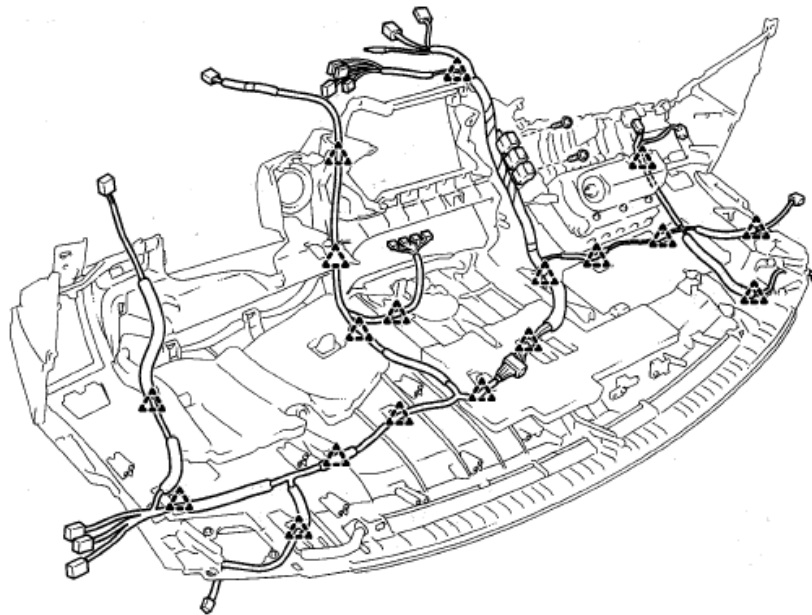
NOTE: Do not pry the automatic light control sensor off from the upper position.

26. REMOVE FRONT PASSENGER AIRBAG ASSEMBLY (See REMOVAL)

REASSEMBLY

1. INSTALL FRONT PASSENGER AIRBAG ASSEMBLY

2. **INSTALL AUTOMATIC LIGHT CONTROL SENSOR**
3. **INSTALL INSTRUMENT PANEL NO.2 WIRE**
 - a. Engage the 18 clamps.
 - b. Install the 2 screws and the instrument panel No. 2 wire.



△: Clamp
P

B108531E01

Fig. 38: Identifying Instrument Panel No. 2 Wire Clamps & Screws
Courtesy of TOYOTA MOTOR SALES, U.S.A., INC.

4. **INSTALL NO. 2 RADIO ANTENNA CORD (w/ Navigation System)** (See **INSTALLATION**)
5. **INSTALL NO.2 RADIO ANTENNA CORD (w/o Navigation System)** (See **INSTALLATION**)
6. **INSTALL GLOVE BOX LIGHT ASSEMBLY**
 - a. Engage the 2 claws and install the glove box light assembly.



Fig. 39: Identifying Glove Box Light Assembly Claws
Courtesy of TOYOTA MOTOR SALES, U.S.A., INC.

b. Connect the connector.

7. INSTALL INSTRUMENT PANEL BRACKET SUB-ASSEMBLY CENTER

a. Install the screw < C > and the instrument panel bracket sub-assembly center.

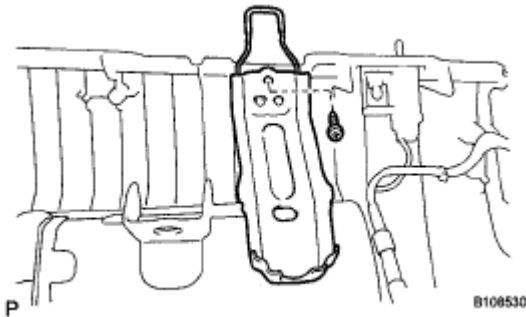


Fig. 40: Identifying Instrument Panel Bracket Sub-Assembly Center Screw
Courtesy of TOYOTA MOTOR SALES, U.S.A., INC.

8. INSTALL DEFROSTER NOZZLE NO. 1 GARNISH

a. Engage the 2 clips and 4 claws then install the defroster nozzle No. 1 garnish.

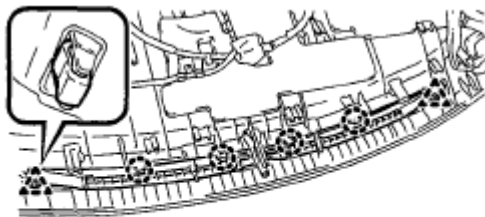


Fig. 41: Identifying Defroster Nozzle No. 1 Garnish Clips & Claws
Courtesy of TOYOTA MOTOR SALES, U.S.A., INC.

9. INSTALL NETWORK GATEWAY ECU

a. Install the screw < C > and the network gateway ECU.

10. INSTALL SIDE DEFROSTER NO. 1 NOZZLE

a. Engage the 2 claws and install the side defroster No. 1 nozzle.

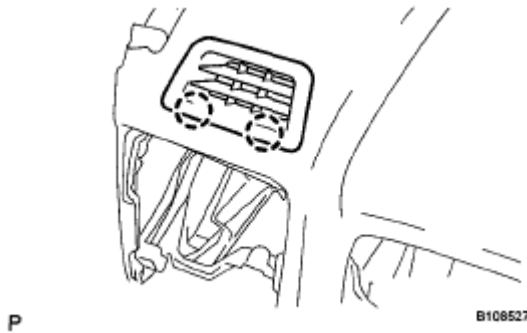


Fig. 42: Identifying Side Defroster No. 1 Nozzle Claws
Courtesy of TOYOTA MOTOR SALES, U.S.A., INC.

11. INSTALL SIDE DEFROSTER NO.2 NOZZLE

HINT:

Use the same procedures for the side defroster No. 2 nozzle and the side defroster No. 1 nozzle

12. INSTALL SIDE DEFROSTER NO. 1 NOZZLE DUCT

- a. Install the screw < C > and the side defroster No. 1 nozzle duct.



Fig. 43: Identifying Side Defroster No. 1 Nozzle Duct Screw
Courtesy of TOYOTA MOTOR SALES, U.S.A., INC.

13. INSTALL SIDE DEFROSTER NO. 2 NOZZLE DUCT

HINT:

Use the same procedures for the side defroster No. 2 nozzle duct and the side defroster No. 1 nozzle duct.

14. INSTALL HEATER TO REGISTER CENTER SUB DUCT

- a. Install the 2 screws < C > and the heater to register center sub duct.

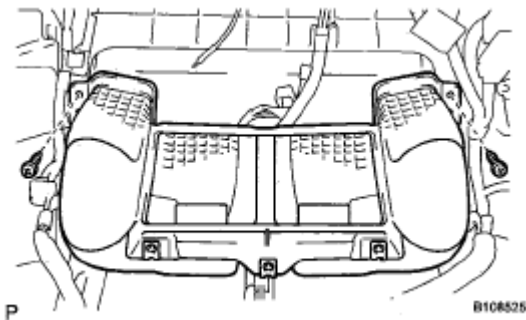


Fig. 44: Identifying Heater To Register Center Sub Duct Screws
Courtesy of TOYOTA MOTOR SALES, U.S.A., INC.

15. INSTALL HEATER TO REGISTER NO.1 DUCT

- a. Install the 4 screws < C > and the heater to register No.1 duct.

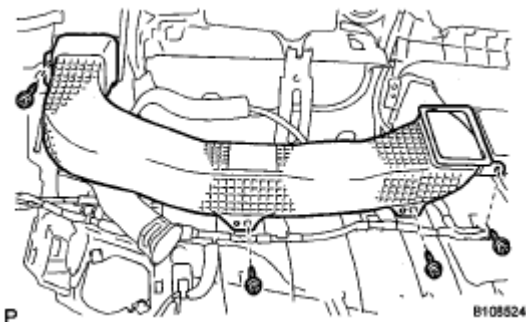


Fig. 45: Identifying Heater To Register No. 1 Duct Screws
Courtesy of TOYOTA MOTOR SALES, U.S.A., INC.

16. INSTALL HEATER TO REGISTER NO. 4 DUCT

HINT:

Use the same procedures for the heater to register No. 4 duct and the heater to register No. 1 duct.

17. INSTALL DEFROSTER NOZZLE ASSEMBLY

- a. Install the 3 screws < C > and the defroster nozzle assembly.

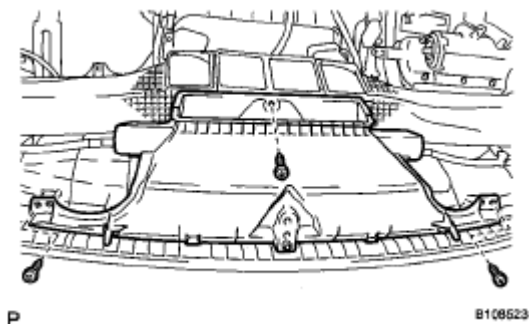


Fig. 46: Identifying Defroster Nozzle Assembly Screws
Courtesy of TOYOTA MOTOR SALES, U.S.A., INC.

18. INSTALL INSTRUMENT PANEL NO. 1 PIN

- a. Install the screw < C > and the instrument panel No. 1 pin.



Fig. 47: Identifying Instrument Panel No. 1 Pin Screw
Courtesy of TOYOTA MOTOR SALES, U.S.A., INC.

19. INSTALL SIDE DEFROSTER NO. 3 NOZZLE DUCT

- a. Install the screw < C > and the side defroster No. 3 nozzle duct.

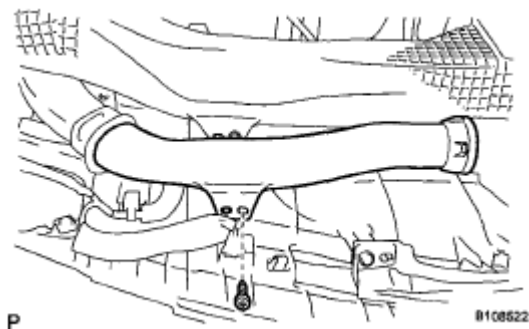


Fig. 48: Identifying Side Defroster No. 3 Nozzle Duct Screw
Courtesy of TOYOTA MOTOR SALES, U.S.A., INC.

20. INSTALL SIDE DEFROSTER NO. 4 NOZZLE DUCT

HINT:

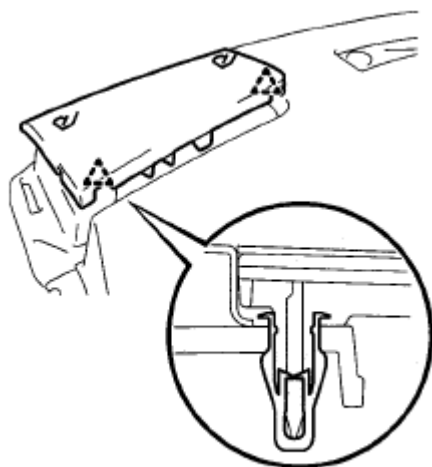
Use the same procedures for the side defroster No. 4 nozzle duct and the side defroster No. 3 nozzle duct.

- 21. **INSTALL FRONT NO. 2 SPEAKER (for Driver Side)** (See INSTALLATION)
- 22. **INSTALL FRONT NO. 2 SPEAKER (for Front Passenger Side)**

HINT:

Use the same procedures for the driver side and passenger side.

- 23. **INSTALL FRONT NO. 2 SPEAKER (w/ Front Center Speaker)** (See INSTALLATION)
- 24. **INSTALL INSTRUMENT PANEL NO. 1 SPEAKER PANEL SUB-ASSEMBLY**
 - a. Engage the 2 clips and install the instrument panel No. 1 speaker panel sub-assembly.



P

B10B5B3

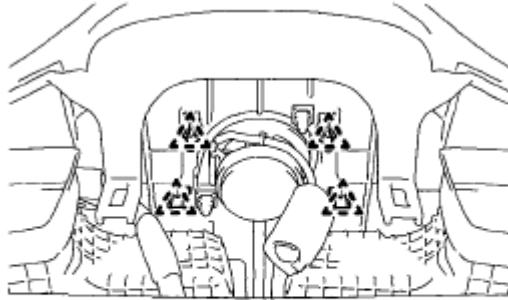
Fig. 49: Identifying Instrument Panel No. 1 Speaker Panel Sub-Assembly Clips
Courtesy of TOYOTA MOTOR SALES, U.S.A., INC.

- 25. **INSTALL INSTRUMENT PANEL NO. 2 SPEAKER PANEL SUB-ASSEMBLY**

HINT:

Use the same procedures for the instrument panel No. 2 speaker panel sub-assembly and the instrument panel No. 1 speaker panel sub-assembly.

- 26. **INSTALL SPEAKER HOLE NO. 1 COVER (w/Mark Levinson Speaker System)**
 - a. Engage the 4 clips and install the speaker hole No. 1 cover.



P

B108520

Fig. 50: Identifying Speaker Hole No. 1 Cover Clips
Courtesy of TOYOTA MOTOR SALES, U.S.A., INC.

INSTALLATION

1. INSTALL INSTRUMENT PANEL ASSEMBLY

- a. Connect each of the clamps and connectors.
- b. Install the 2 bolts < A >, bolt < B > and 2 nuts < D > as shown below, then install the instrument panel assembly.

Torque: 20 N*m (204 kgf*cm, 15 ft.*lbf) (Bolt < B >)

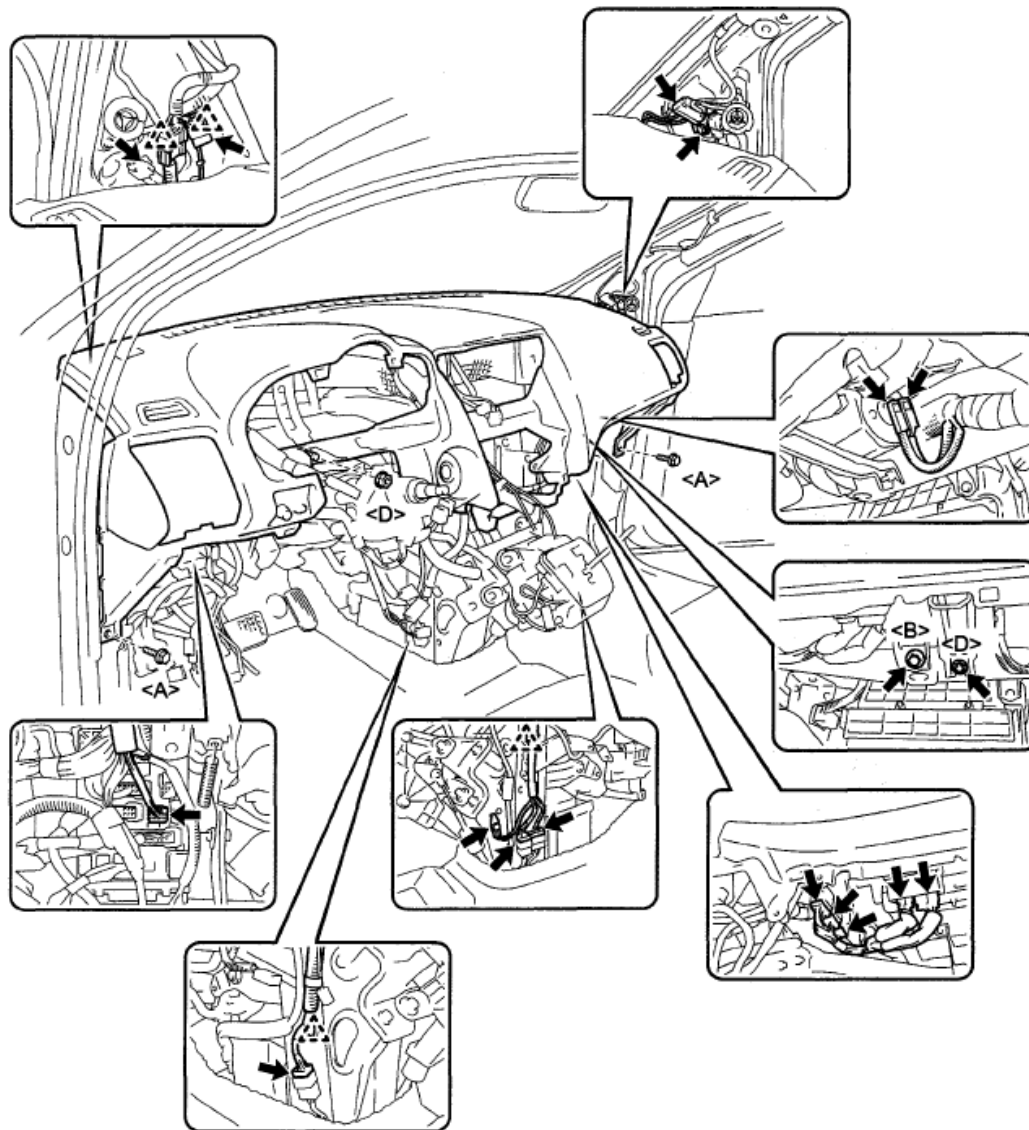
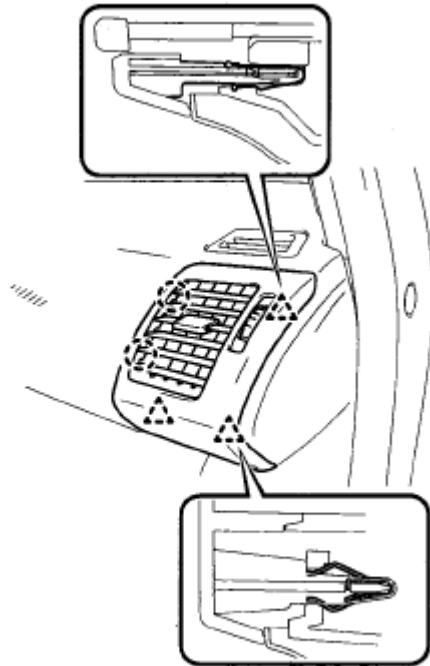


Fig. 51: Identifying Instrument Panel Assembly Bolts & Nuts
Courtesy of TOYOTA MOTOR SALES, U.S.A., INC.

2. INSTALL INSTRUMENT PANEL NO. 1 REGISTER ASSEMBLY LOWER

- a. Engage the 3 clips and 2 claws, and install the instrument panel No. 1 register assembly lower.



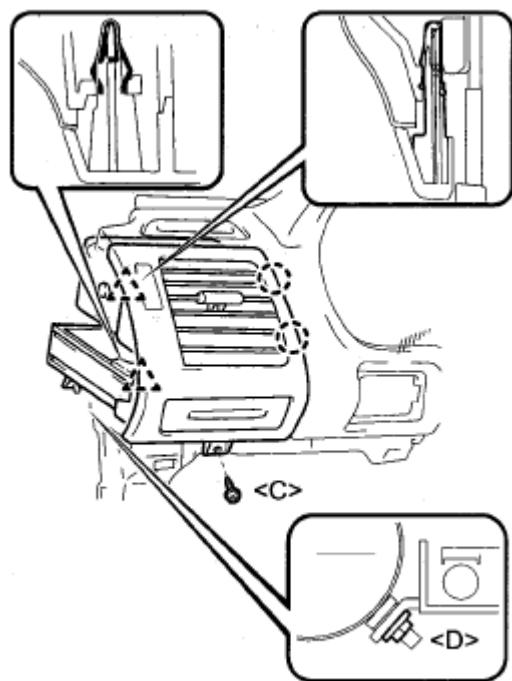
P

0112168

Fig. 52: Identifying Instrument Panel No. 1 Register Assembly Lower Clips & Claws
Courtesy of TOYOTA MOTOR SALES, U.S.A., INC.

3. INSTALL INSTRUMENT PANEL NO. 1 REGISTER ASSEMBLY

- a. Engage the 2 clips and 2 claws.
- b. Install the screw < C >, nut < D >, and the instrument panel No. 1 register assembly.

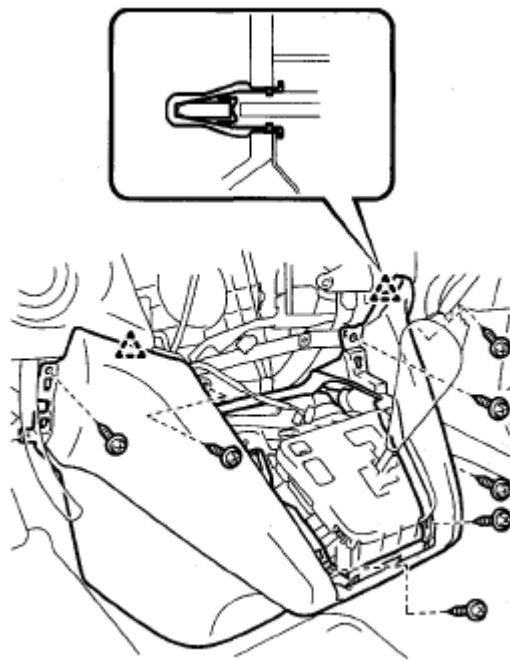


P

B112170E01

Fig. 53: Identifying Instrument Panel Finish Plate Clips, Claws, Nut & Screw
Courtesy of TOYOTA MOTOR SALES, U.S.A., INC.

4. **INSTALL INSTRUMENT PANEL FINISH PLATE**
5. **INSTALL FRONT PILLAR GARNISH LH INSTALL FRONT PILLAR GARNISH RH**
6. **INSTRUMENT PANEL - INSTRUMENT PANEL SAFETY PAD**
7. **INSTALL INSTRUMENT PANEL FINISH PANEL LOWER CENTER**
 - a. Engage the 2 clips.
 - b. Install the 7 screws < C > and the instrument panel finish panel lower center.



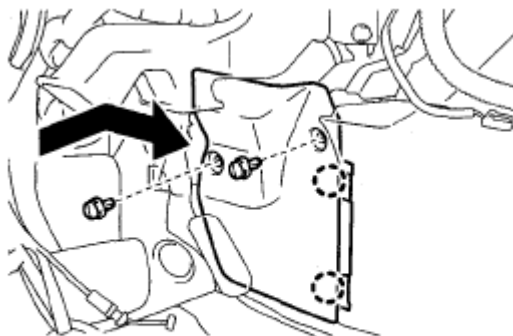
P

B108516

Fig. 54: Identifying Instrument Panel Finish Panel Lower Center Clips & Screws
Courtesy of TOYOTA MOTOR SALES, U.S.A., INC.

8. INSTALL FLOOR CARPET COVER CENTER LH

- a. Slide the floor carpet cover center LH to the rear of the vehicle, and engage the 2 claws to the instrument panel finish panel lower center at the floor carpet cover center LH.
- b. Install the 2 clips and the floor carpet cover center LH.



P

B108515

Fig. 55: Identifying Floor Carpet Cover Center LH Claws & Clips
Courtesy of TOYOTA MOTOR SALES, U.S.A., INC.

9. INSTALL FLOOR CARPET COVER CENTER RH

HINT:

Use the same procedures for the RH side and the LH side.

10. INSTALL GLOVE COMPARTMENT DOOR ASSEMBLY

- a. Connect the connector.
- b. Install the 2 bolts < A >, the 2 screws < C >, and the glove compartment door assembly.

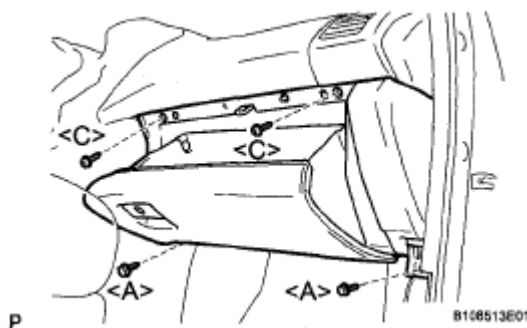


Fig. 56: Identifying Glove Compartment Door Assembly Bolts & Screws
Courtesy of TOYOTA MOTOR SALES, U.S.A., INC.

11. INSTALL INSTRUMENT PANEL NO. 2 UNDER COVER SUB-ASSEMBLY

- a. Connect the connectors.
- b. Engage the 3 claws and install the instrument panel No. 2 under cover sub-assembly.

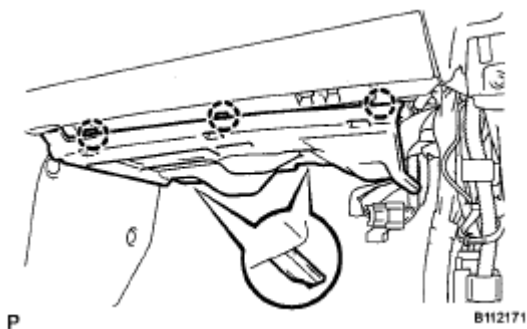


Fig. 57: Identifying Instrument Panel No. 2 Under Cover Sub-Assembly Claws
Courtesy of TOYOTA MOTOR SALES, U.S.A., INC.

12. INSTALL COWL SIDE TRIM SUB-ASSEMBLY RH

HINT:

Use the same procedures for the RH side and the LH side.

13. INSTALL FRONT DOOR SCUFF PLATE RH

HINT:

Use the same procedures for the RH side and the LH side.

14. INSTALL COMBINATION METER ASSEMBLY

- a. Connect the connectors.
- b. Install the 4 screws < C > and the combination meter assembly.

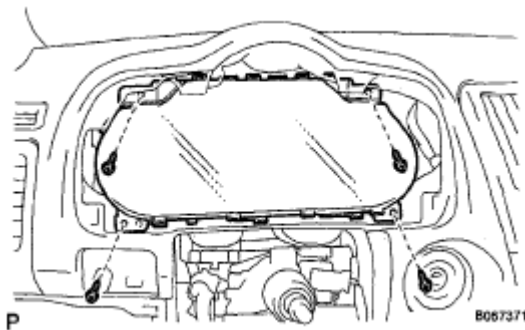


Fig. 58: Identifying Combination Meter Assembly Screws
Courtesy of TOYOTA MOTOR SALES, U.S.A., INC.

15. INSTALL INSTRUMENT CLUSTER FINISH PANEL SUB-ASSEMBLY

- a. Engage the 4 clips and install the instrument cluster finish panel sub-assembly.

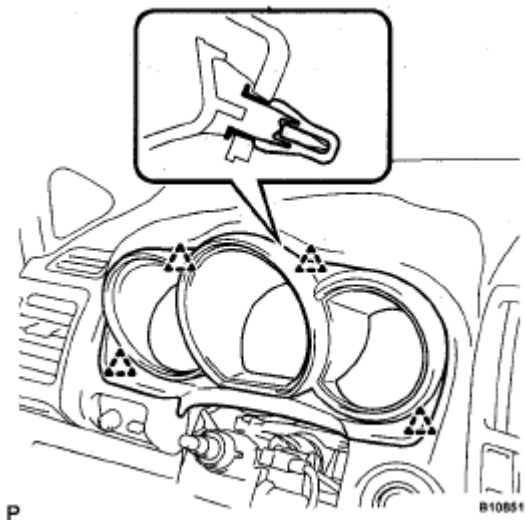


Fig. 59: Identifying Instrument Cluster Finish Panel Sub-Assembly Clips
Courtesy of TOYOTA MOTOR SALES, U.S.A., INC.

16. **INSTALL DRIVER SIDE KNEE AIRBAG ASSEMBLY** (See INSTALLATION)
17. **INSTALL INSTRUMENT PANEL FINISH PANEL SUB-ASSEMBLY LOWER**
 - a. Connect the connectors.

- b. Engage the 5 claws and the 4 clips.
- c. Connect the hood lock control cable assembly.
- d. Install the bolt < A >, the screw < C >, and the instrument panel finish panel sub-assembly lower.

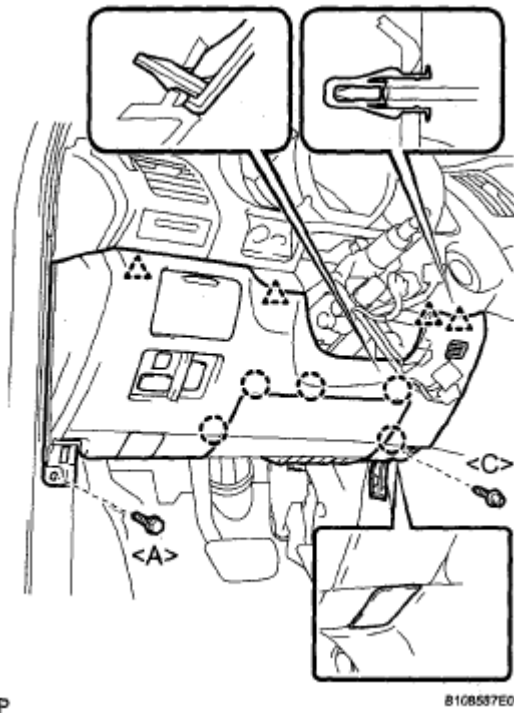
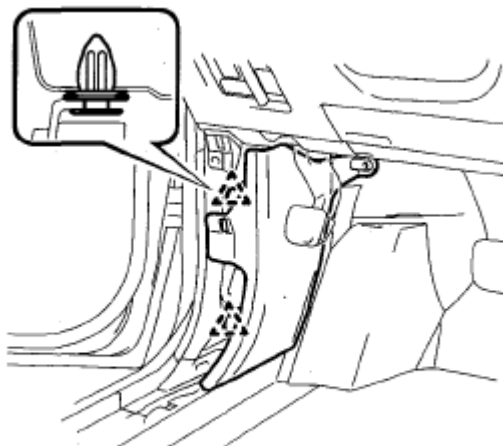


Fig. 60: Identifying Instrument Panel Finish Panel Sub-Assembly Lower Claws, Clips, Bolt & Screw
Courtesy of TOYOTA MOTOR SALES, U.S.A., INC.

- 18. **INSTALL COWL SIDE TRIM SUB-ASSEMBLY LH**
 - a. Install the 2 clips and the cowl side trim sub-assembly LH.

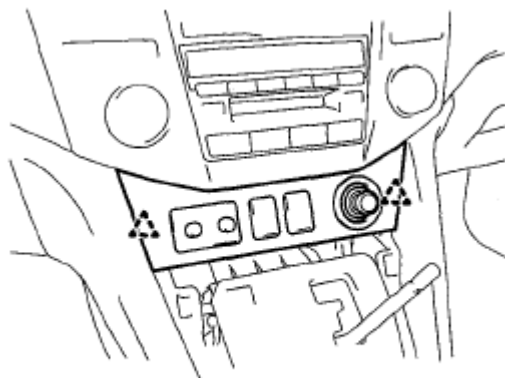


P

0108509

Fig. 61: Identifying Cowl Side Trim Sub-Assembly LH Clips
Courtesy of TOYOTA MOTOR SALES, U.S.A., INC.

19. **INSTALL FRONT DOOR SCUFF PLATE LH**
20. **INSTALL TURN SIGNAL SWITCH ASSEMBLY WITH SPIRAL CABLE SUB-ASSEMBLY**
21. **INSTALL TILT AND TELESCOPIC SWITCH (for Power Tilt and Power Telescopic)**
22. **INSTALL STEERING COLUMN COVER (See INSTALLATION)**
23. **CENTER SPIRAL CABLE (See INSTALLATION)**
24. **INSTALL STEERING WHEEL ASSEMBLY (See INSTALLATION)**
25. **INSTALL STEERING PAD (See INSTALLATION)**
26. **INSTALL STEERING WHEEL NO.3 COVER LOWER (See INSTALLATION)**
27. **INSTALL STEERING WHEEL NO.2 COVER LOWER (See INSTALLATION)**
28. **INSTALL MULTI-DISPLAY (w/ Navigation System) (See INSTALLATION)**
29. **INSTALL CENTER CLUSTER INTEGRATION SWITCH (w/o Navigation System) (See INSTALLATION)**
30. **INSTALL RADIO RECEIVER (See INSTALLATION)**
31. **INSTALL INSTRUMENT PANEL FINISH PANEL LOWER**
 - a. Connect the connectors.
 - b. Engage the 2 clips and install the instrument panel finish panel lower.



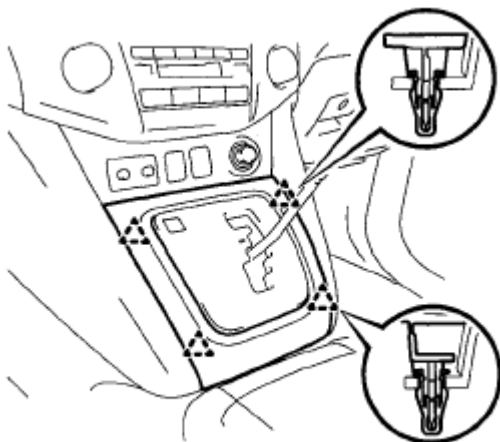
P

8108508

Fig. 62: Identifying Instrument Panel Finish Panel Lower Clips
Courtesy of TOYOTA MOTOR SALES, U.S.A., INC.

32. INSTALL CONSOLE PANEL UPPER FRONT

- a. Engage the 4 clips and install the console panel upper front.



P

8108507

Fig. 63: Identifying Console Panel Upper Front Clips
Courtesy of TOYOTA MOTOR SALES, U.S.A., INC.

33. INSTALL SHIFT LEVER KNOB SUB-ASSEMBLY

34. CONNECT CABLE TO NEGATIVE BATTERY TERMINAL

35. PERFORM INITIALIZATION

NOTE: Some systems need initialization when disconnecting the cable from the negative battery terminal.

36. INSPECT STEERING PAD (See ON-VEHICLE INSPECTION)

37. INSPECT SRS WARNING LIGHT

HINT:

(See DIAGNOSIS SYSTEM)

REAR CONSOLE BOX

COMPONENTS

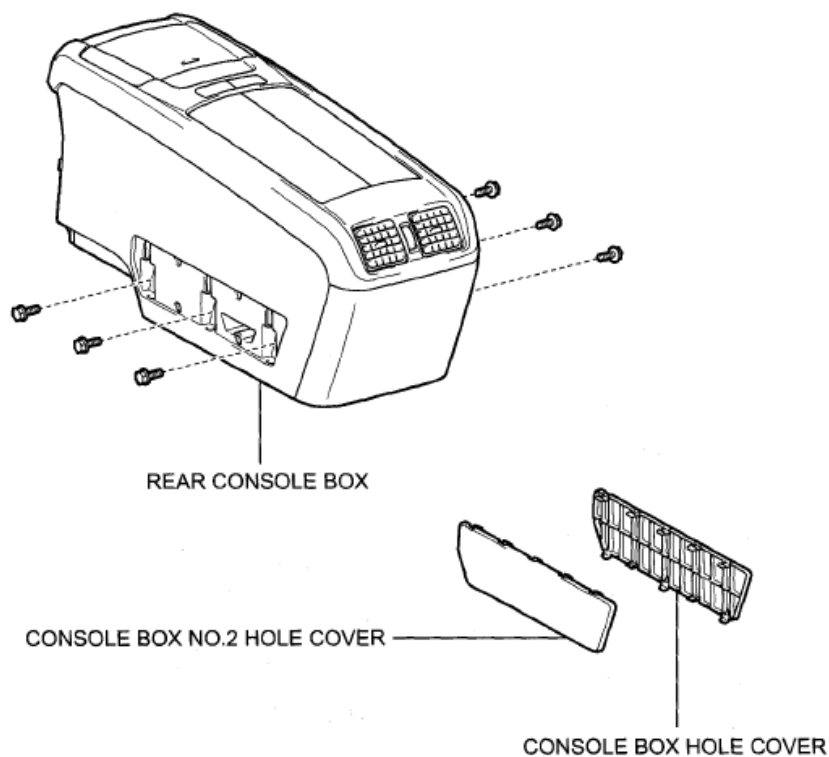
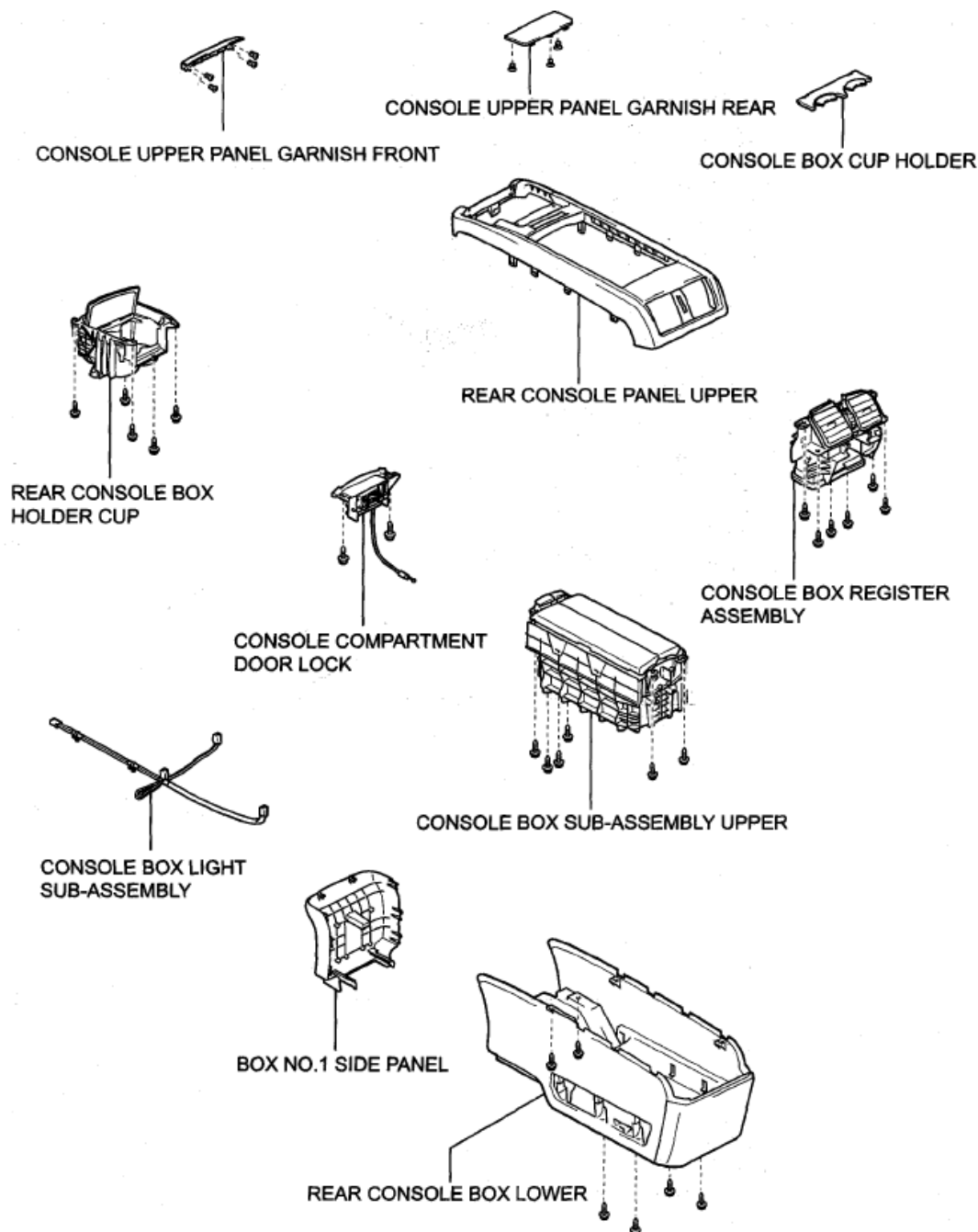


Fig. 64: Identifying Rear Console Box Replacement Components (1 Of 2)
Courtesy of TOYOTA MOTOR SALES, U.S.A., INC.



P

0108543E00

Fig. 65: Identifying Rear Console Box Replacement Components (2 Of 2)

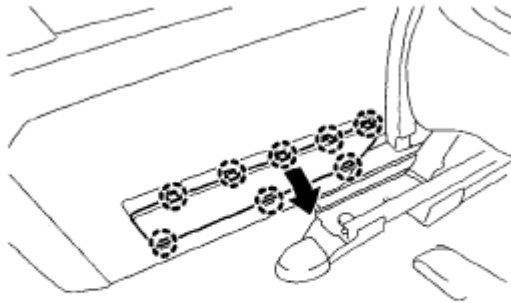
Courtesy of TOYOTA MOTOR SALES, U.S.A., INC.

REMOVAL

1. REMOVE CONSOLE BOX HOLE COVER

- Slide the front seat assemblies RH and LH forward.

- b. Slide the console box assembly fully to the back end and remove the console box hole cover.



P

B10B544

Fig. 66: Identifying Console Box Hole Cover
Courtesy of TOYOTA MOTOR SALES, U.S.A., INC.

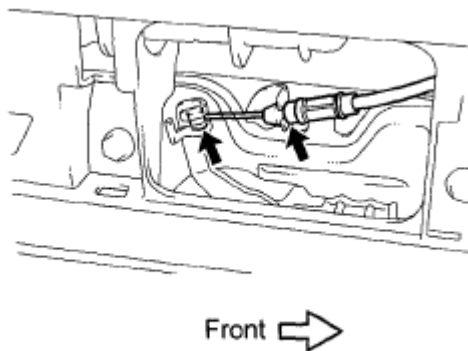
2. REMOVE CONSOLE BOX NO. 2 HOLE COVER

HINT:

Use the same procedures for the console box No. 2 hole cover and the console box hole cover.

3. REMOVE REAR CONSOLE BOX

- a. Separate the console box lock control cable assembly from the rear console box.

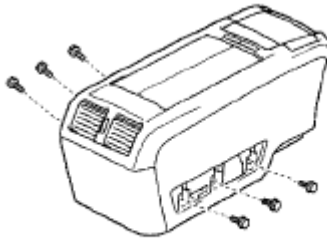


P

B10B546E01

Fig. 67: Identifying Console Box Lock Control Cable Assembly
Courtesy of TOYOTA MOTOR SALES, U.S.A., INC.

- b. Keeping the rear console box pulled in the rear direction of the vehicle, remove the 6 bolts from the left and right sides.



F045663

Fig. 68: Identifying Rear Console Box Bolts
Courtesy of TOYOTA MOTOR SALES, U.S.A., INC.

- c. Disconnect each of the clamp and connector.

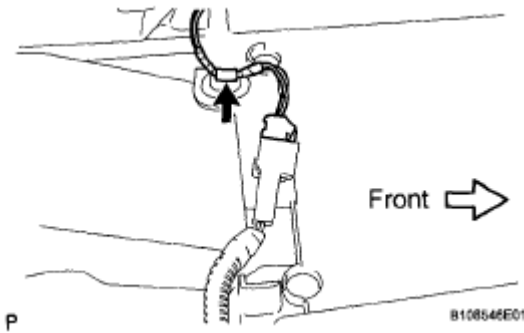
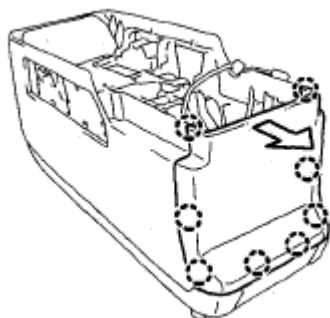


Fig. 69: Identifying Clamp & Connector
Courtesy of TOYOTA MOTOR SALES, U.S.A., INC.

- d. Remove the rear console box.

DISASSEMBLY

1. **REMOVE CONSOLE BOX CUP HOLDER**
 - a. Remove the console box cup holder.
2. **REMOVE BOX NO.1 SIDE PANEL**
 - a. Disengage the 8 claws and remove the box No. 1 side panel.



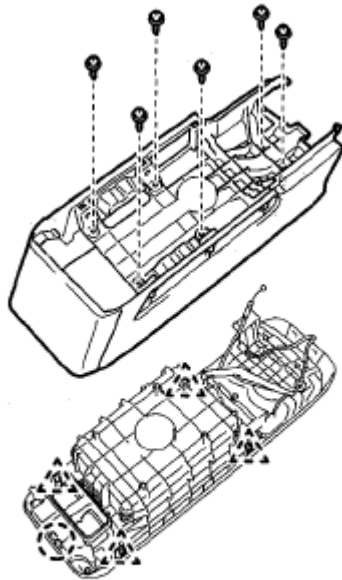
P

B10689E01

Fig. 70: Identifying Box No. 1 Side Panel Claws
Courtesy of TOYOTA MOTOR SALES, U.S.A., INC.

3. REMOVE REAR CONSOLE BOX LOWER

- a. Remove the 6 screws.
- b. Disengage the 4 clips and the claw, and remove the rear console box lower.



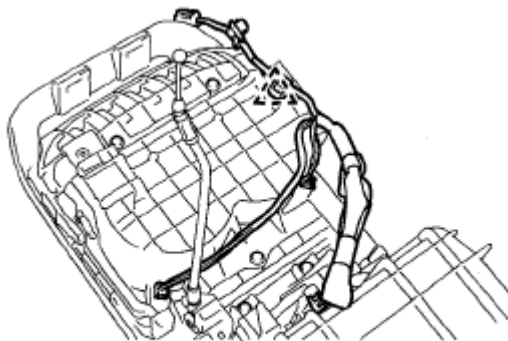
P

B108546

Fig. 71: Identifying Rear Console Box Lower Screws, Clips & Claw
Courtesy of TOYOTA MOTOR SALES, U.S.A., INC.

4. REMOVE CONSOLE BOX LIGHT SUB-ASSEMBLY

- a. Disconnect each of the clamp and connectors, and remove the console box light sub-assembly.



△: Clamp

P

B108549E01

Fig. 72: Identifying Console Box Light Sub-Assembly Clamp & Connectors
Courtesy of TOYOTA MOTOR SALES, U.S.A., INC.

5. REMOVE REAR CONSOLE BOX HOLDER CUP

- a. Remove the 5 screws and the rear console box holder cup.

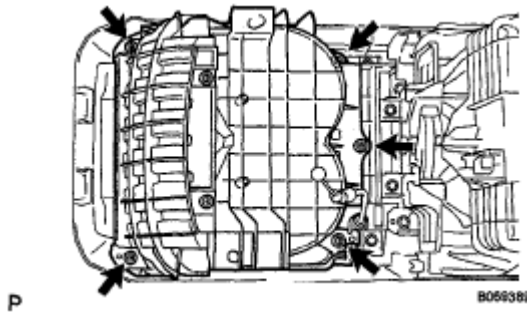


Fig. 73: Identifying Rear Console Box Holder Cup Screws
Courtesy of TOYOTA MOTOR SALES, U.S.A., INC.

6. REMOVE CONSOLE UPPER PANEL GARNISH FRONT

- a. Remove the 4 screws and the console upper panel garnish front.

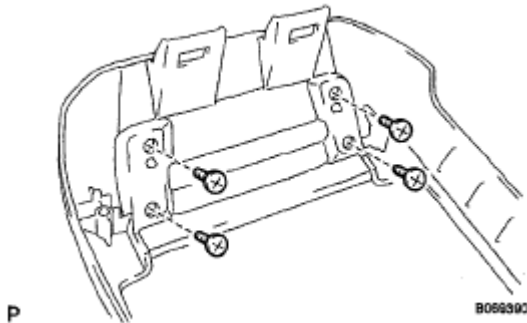


Fig. 74: Identifying Console Upper Panel Garnish Front Screws
Courtesy of TOYOTA MOTOR SALES, U.S.A., INC.

7. REMOVE CONSOLE BOX REGISTER ASSEMBLY

- a. Remove the 6 screws and the console box register assembly.

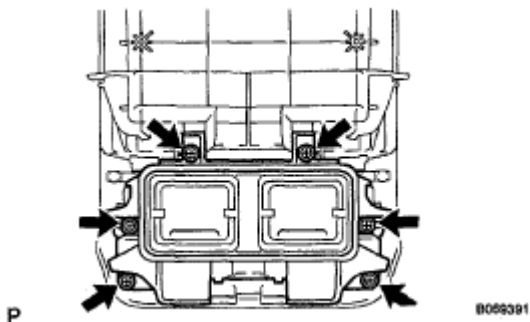


Fig. 75: Identifying Console Box Register Assembly Screws
Courtesy of TOYOTA MOTOR SALES, U.S.A., INC.

8. REMOVE CONSOLE BOX SUB-ASSEMBLY UPPER

- a. Remove the 4 screws.

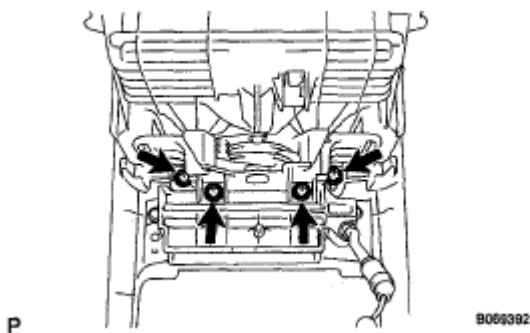


Fig. 76: Identifying Console Box Sub-Assembly Upper Screws
Courtesy of TOYOTA MOTOR SALES, U.S.A., INC.

- b. Remove the 2 screws.

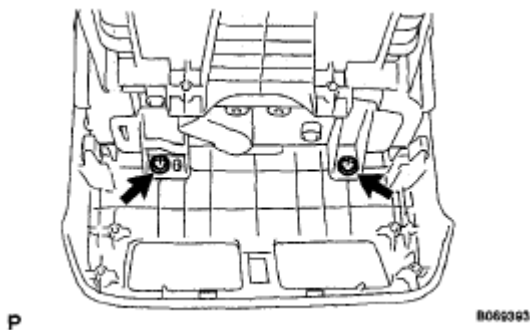


Fig. 77: Identifying Screws
Courtesy of TOYOTA MOTOR SALES, U.S.A., INC.

- c. Disengage the 2 claws.

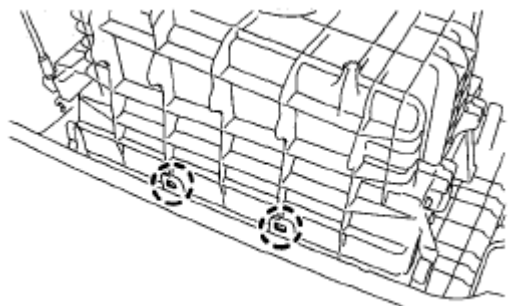


Fig. 78: Identifying Claws

Courtesy of TOYOTA MOTOR SALES, U.S.A., INC.

- d. Disengage the 2 claws and remove the console box sub-assembly upper.

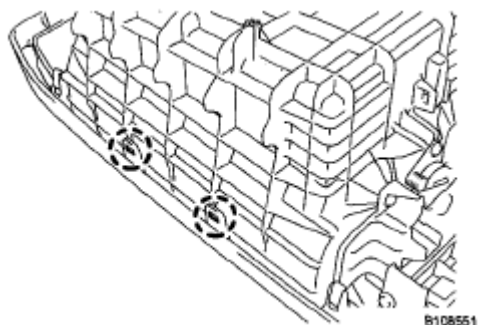


Fig. 79: Identifying Console Box Sub-Assembly Upper Claws

Courtesy of TOYOTA MOTOR SALES, U.S.A., INC.

9. REMOVE CONSOLE COMPARTMENT DOOR LOCK

- a. Remove the 2 screws and the console compartment door lock.

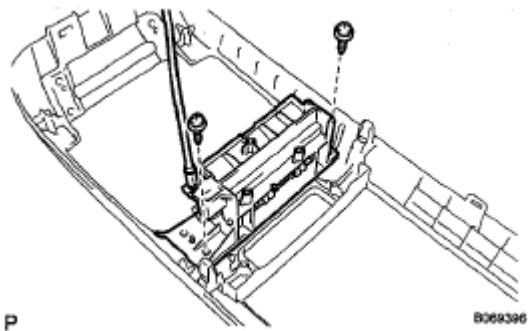


Fig. 80: Identifying Console Compartment Door Lock Screws

Courtesy of TOYOTA MOTOR SALES, U.S.A., INC.

10. REMOVE CONSOLE UPPER PANEL GARNISH REAR

- a. Remove the 3 screws and the console upper panel garnish rear.

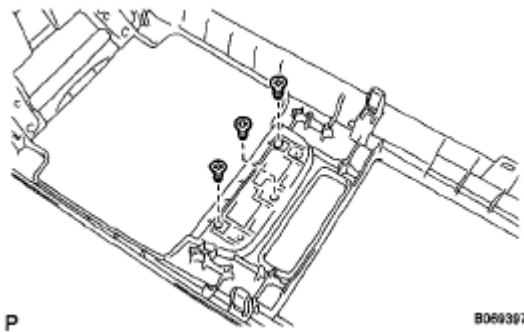


Fig. 81: Identifying Console Upper Panel Garnish Rear Screws
Courtesy of TOYOTA MOTOR SALES, U.S.A., INC.

REASSEMBLY

1. INSTALL CONSOLE UPPER PANEL GARNISH REAR

- a. Install the 3 screws and the console upper panel garnish rear.

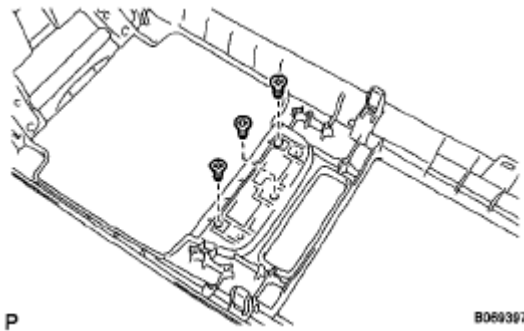


Fig. 82: Identifying Console Upper Panel Garnish Rear Screws
Courtesy of TOYOTA MOTOR SALES, U.S.A., INC.

2. INSTALL CONSOLE COMPARTMENT DOOR LOCK

- a. Install the 2 screws and the console compartment door lock.

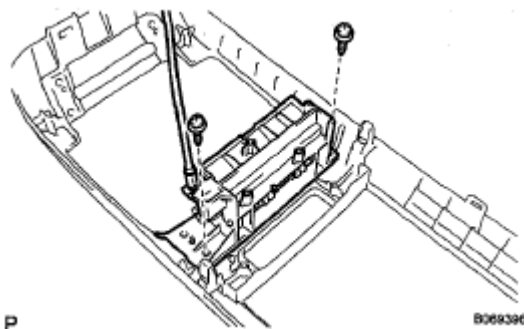


Fig. 83: Identifying Console Compartment Door Lock Screws
Courtesy of TOYOTA MOTOR SALES, U.S.A., INC.

3. INSTALL CONSOLE BOX SUB-ASSEMBLY UPPER

- a. Engage the 2 claws.

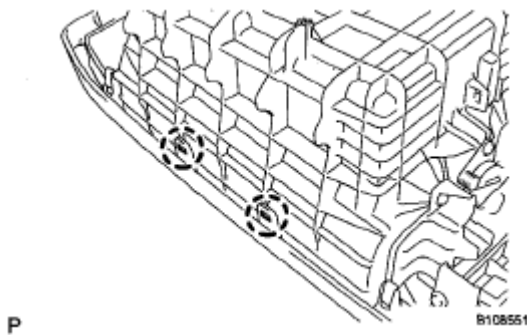


Fig. 84: Identifying Claws (1 Of 2)

Courtesy of TOYOTA MOTOR SALES, U.S.A., INC.

- b. Engage the 2 claws.

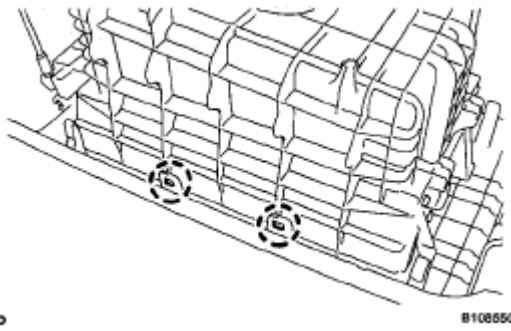


Fig. 85: Identifying Claws (2 Of 2)

Courtesy of TOYOTA MOTOR SALES, U.S.A., INC.

- c. Install the 2 screws.

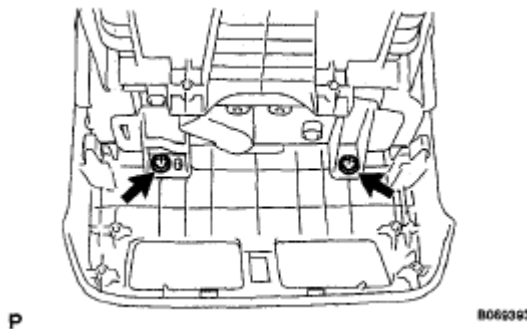


Fig. 86: Identifying Screws

Courtesy of TOYOTA MOTOR SALES, U.S.A., INC.

- d. Install the 4 screws and the console box sub-assembly upper.

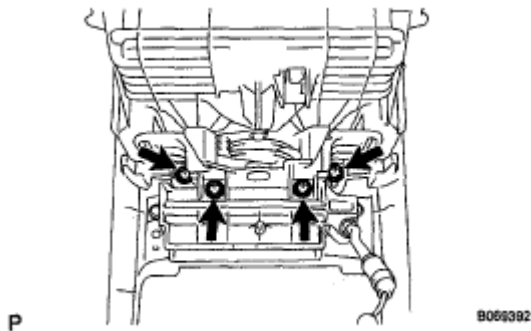


Fig. 87: Identifying Console Box Sub-Assembly Upper Screws
Courtesy of TOYOTA MOTOR SALES, U.S.A., INC.

4. INSTALL CONSOLE BOX REGISTER ASSEMBLY

- a. Install the 6 screws and the console box register assembly.

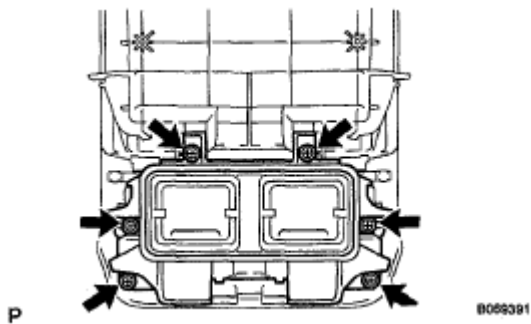


Fig. 88: Identifying Console Box Register Assembly Screws
Courtesy of TOYOTA MOTOR SALES, U.S.A., INC.

5. INSTALL CONSOLE UPPER PANEL GARNISH FRONT

- a. Install the 4 screws and the console upper panel garnish front.

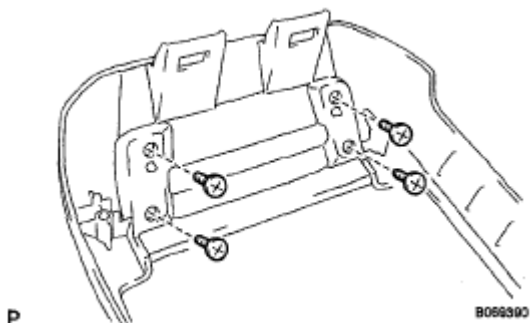


Fig. 89: Identifying Console Upper Panel Garnish Front Screws
Courtesy of TOYOTA MOTOR SALES, U.S.A., INC.

6. **INSTALL REAR CONSOLE BOX HOLDER CUP**

- a. Install the 5 screws and the rear console box holder cup.

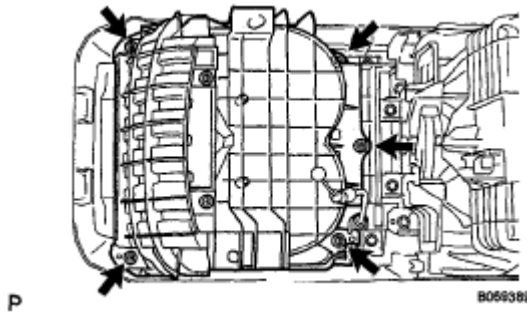


Fig. 90: Identifying Rear Console Box Holder Cup Screws
Courtesy of TOYOTA MOTOR SALES, U.S.A., INC.

7. **INSTALL CONSOLE BOX LIGHT SUB-ASSEMBLY**

- a. Connect each of the clamp and connectors, and install the console box light sub-assembly.

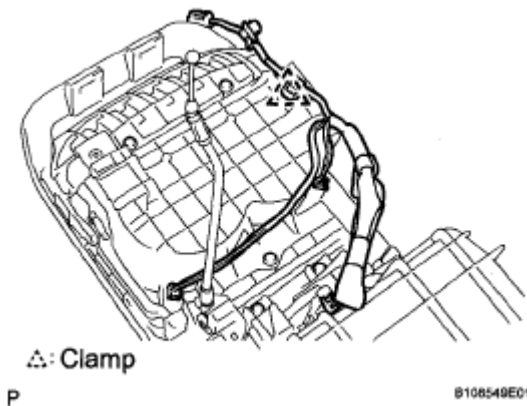
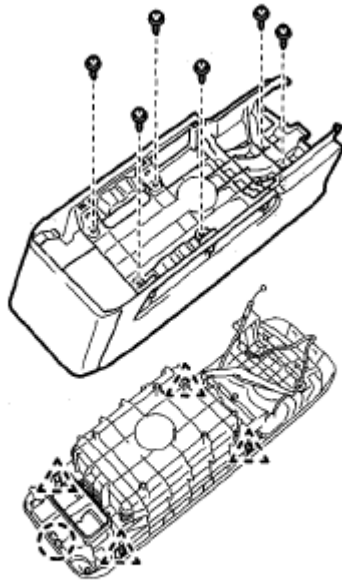


Fig. 91: Identifying Console Box Light Sub-Assembly Clamp & Connectors
Courtesy of TOYOTA MOTOR SALES, U.S.A., INC.

8. **INSTALL REAR CONSOLE BOX LOWER**

- a. Engage the 4 clips and the claw.
- b. Install the 6 screws and the rear console box lower.



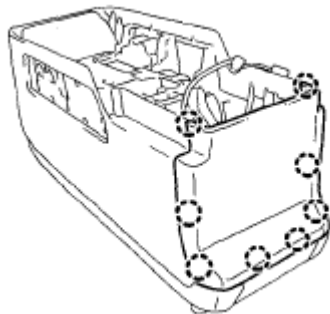
P

B106546

Fig. 92: Identifying Rear Console Box Lower Clips, Claw & Screws
Courtesy of TOYOTA MOTOR SALES, U.S.A., INC.

9. INSTALL BOX NO.1 SIDE PANEL

- a. Engage the 8 claws and install the box No. 1 side panel.



P

B112172E01

Fig. 93: Identifying Box No. 1 Side Panel Claws
Courtesy of TOYOTA MOTOR SALES, U.S.A., INC.

10. INSTALL CONSOLE BOX CUP HOLDER

- a. Install the console box cup holder.

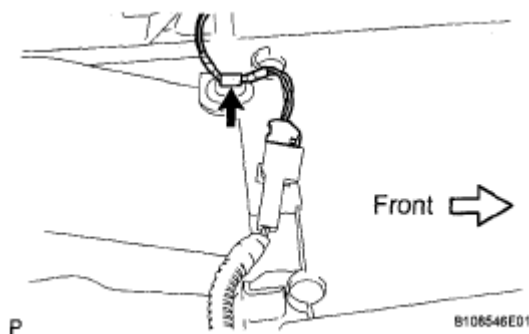
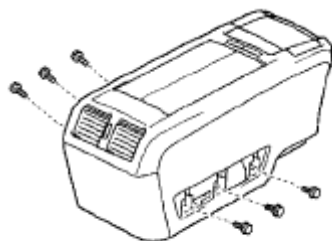


Fig. 94: Identifying Rear Console Box
 Courtesy of TOYOTA MOTOR SALES, U.S.A., INC.

INSTALLATION

1. INSTALL REAR CONSOLE BOX

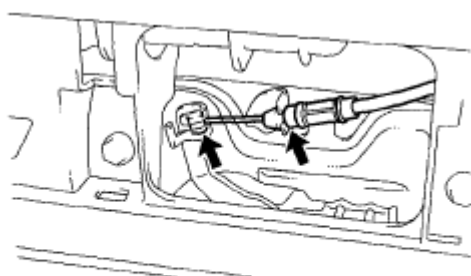
- a. Connect each of the clamp and the connector.
- b. Keeping the rear console box pulled in the rear direction of the vehicle, install the 6 bolts to the left and right sides.



F045693

Fig. 95: Identifying Rear Console Box Bolts
 Courtesy of TOYOTA MOTOR SALES, U.S.A., INC.

- c. Connect the console box lock control cable assembly and install the rear console box.



Front →

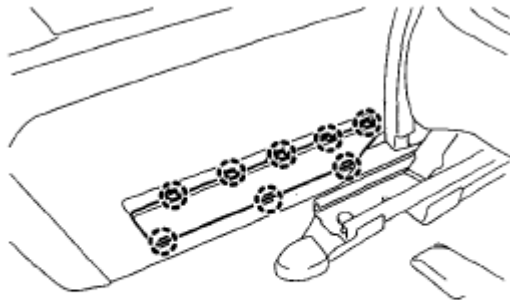
P

B108546E01

Fig. 96: Identifying Console Box Lock Control Cable Assembly
Courtesy of TOYOTA MOTOR SALES, U.S.A., INC.

2. INSTALL CONSOLE BOX HOLE COVER

- a. Slide the front seat assemblies RH and LH forward.
- b. Slide the rear console box fully to the back end and install the console box hole cover.



P

B112173

Fig. 97: Identifying Console Box Hole Cover
Courtesy of TOYOTA MOTOR SALES, U.S.A., INC.

3. INSTALL CONSOLE BOX NO. 2 HOLE COVER

HINT:

Use the same procedures for the console box No. 2 hole cover and the console box hole cover.