



**Technical Service
Information Bulletin**

April 6, 2007

Title:

TONNEAU COVER LATCH RATTLE

Models:

'04 – '06 RX 330, '06 – '07 RX 400h, &
'07 RX 350

NVH
NV001-07

Introduction Some customers may experience a rattle noise from the rear of the vehicle when going over bumps. This problem is due to lack of insulation and excessive clearance between the tonneau cover locks and the back door trim spacers. Perform the following procedure to correct this condition.

- Applicable Vehicles**
- **2004 – 2006** model year **RX 330** vehicles.
 - **2006 – 2007** model year **RX 400h** vehicles produced **BEFORE** the Production Change Effective VINs shown below.
 - **2007** model year **RX 350** vehicles produced **BEFORE** the Production Change Effective VINs shown below.

**Production
Change
Information**

MODEL	PLANT	PRODUCTION CHANGE EFFECTIVE VIN
RX 350	TMK	JTJGK31U#70006368
		JTJHK31U#72021614
	TMMC	2T2GK31U#7C026274
		2T2HK31U#7C045715
RX 400h	TMK	JTJGW31U#72002165
		JTJHW31U#72012631

**Warranty
Information**

OP CODE	DESCRIPTION	TIME	OFP	T1	T2
NV5016	Change Back Door Trim Spacer LH & RH	0.3	67754-480##-##	91	43

Applicable Warranty*:

This repair is covered under the Lexus Comprehensive Warranty. This warranty is in effect for 48 months or 50,000 miles, whichever occurs first, from the vehicle's in-service date.

* Warranty application is limited to correction of a problem based upon a customer's specific complaint.



Parts Information

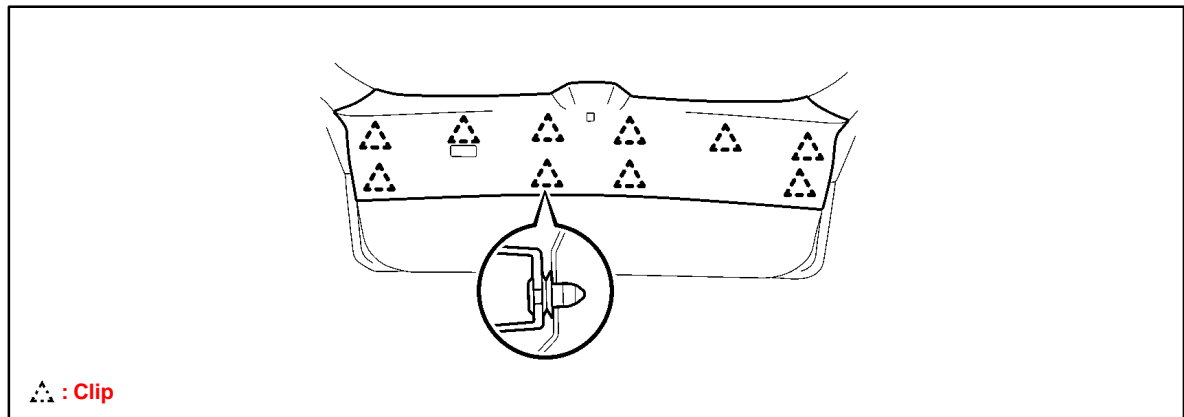
PREVIOUS PART NUMBER	CURRENT PART NUMBER	PART NAME	QTY
67754-48010-##	67754-48050-##	Spacer, Back Door Trim RH	1
67754-48020-##	67754-48060-##	Spacer, Back Door Trim LH	1

Required Tools & Material

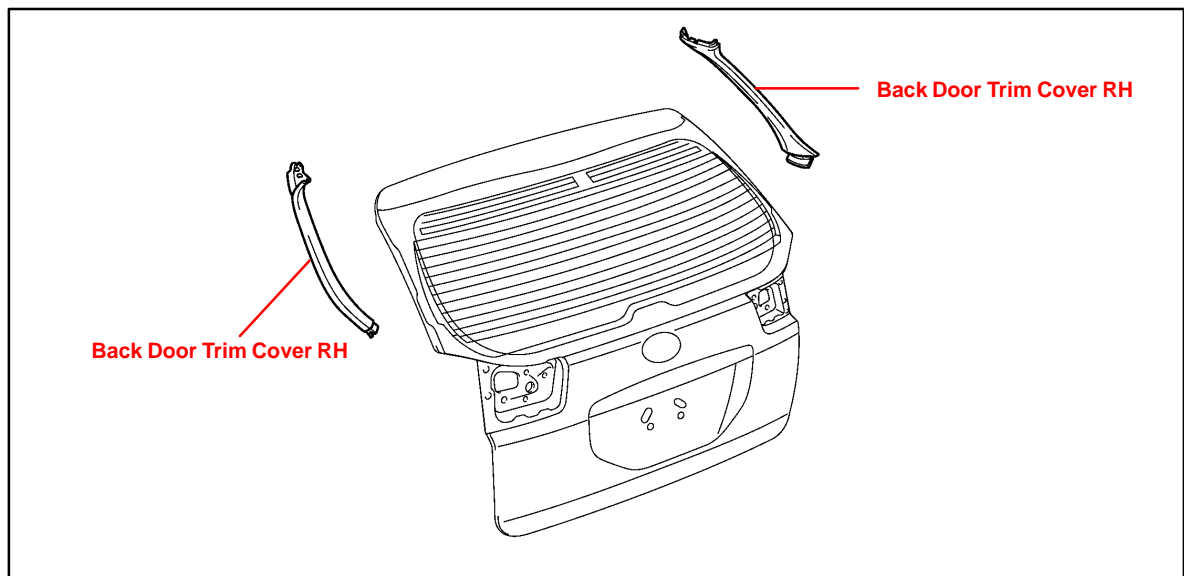
TOOLS & MATERIAL	QUANTITY
Hand Tools	As Needed

Repair Procedure

1. Remove the back door upper trim panel assembly by disengaging the 10 clips.

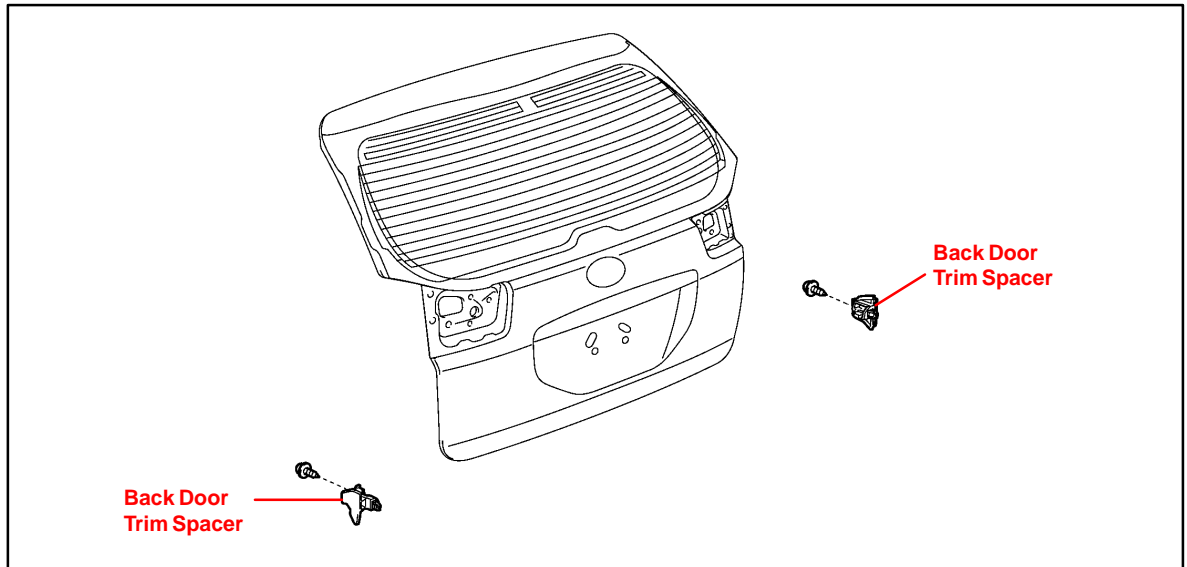


2. Remove the back door trim cover RH and LH.

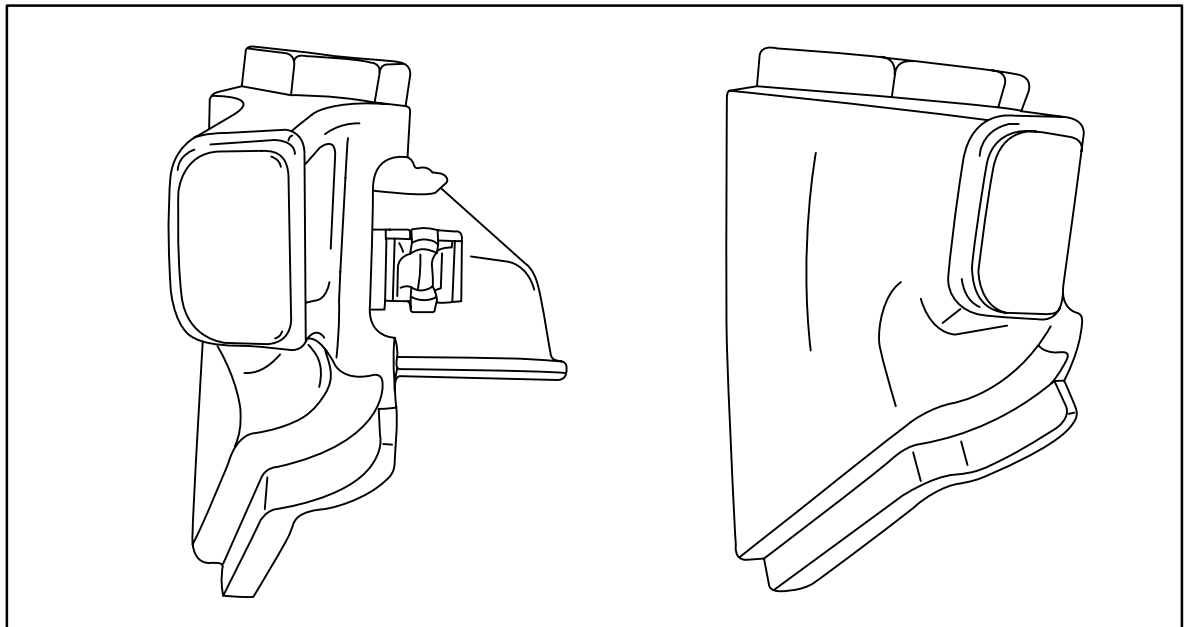


**Repair
Procedure**
(Continued)

3. Remove the screw and then remove the back door trim spacer RH and LH.



4. Replace the back door trim spacer RH and LH with a NEW one.



5. Reinstall the back door trim cover and the back door upper trim panel assembly.
6. Confirm that the rattle noise is gone.