



**Technical Service
Information Bulletin**

March 16, 2007

Title:

OUTER REAR VIEW MIRROR OPERATION

Models:

'04 – '05 RX 330

ELECTRICAL
EL004-07

Introduction Some 2004 – 2005 model year RX 330 vehicles may exhibit a condition where one or both of the outer rear view mirrors may not operate smoothly from the switch. An updated mirror actuator is available to correct this condition.

- Applicable Vehicles**
- **2004 – 2005** model year **RX 330** vehicles produced **BEFORE** the Production Change Effective VINs shown below.

Production Change Information

MODEL	PLANT	DRIVETRAIN	PRODUCTION CHANGE EFFECTIVE VIN
RX 330	TMK	2WD	JTJGA31U#50053210
		4WD	JTJHA31U#50085301
	TMMC	2WD	2T2GA31U#5C027951
		4WD	272HA31U#5C061736

Parts Information

PREVIOUS PART NUMBER	CURRENT PART NUMBER	PART NAME	QTY
87909-60730	87909-60731	Actuator Assembly, Outer Mirror, LH	1
87908-60840	87908-60841	Actuator Assembly, Outer Mirror, RH	1

Warranty Information

OP CODE	DESCRIPTION	TIME	OFF	T1	T2
EL7005	R & R Outer Mirror Actuator Assembly (One Side)	0.4	87909-60730 87908-60840	73	99
Combo A	Opposite Side	0.2			

Applicable Warranty*:

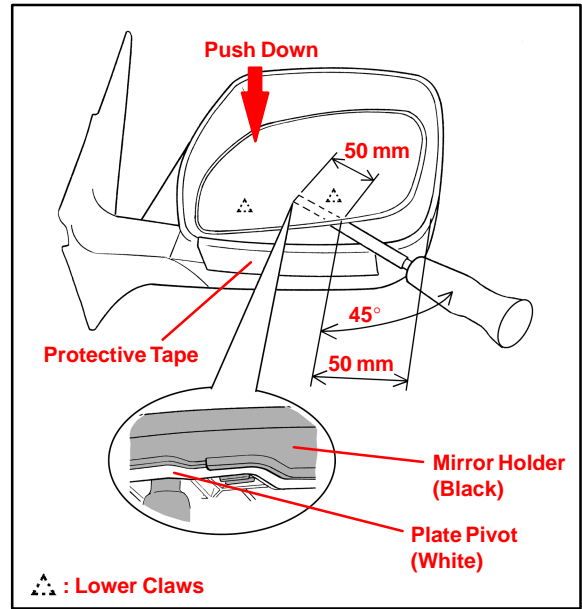
This repair is covered under the Lexus Comprehensive Warranty. This warranty is in effect for 48 months or 50,000 miles, whichever occurs first, from the vehicle's in-service date.

* Warranty application is limited to correction of a problem based upon a customer's specific complaint.

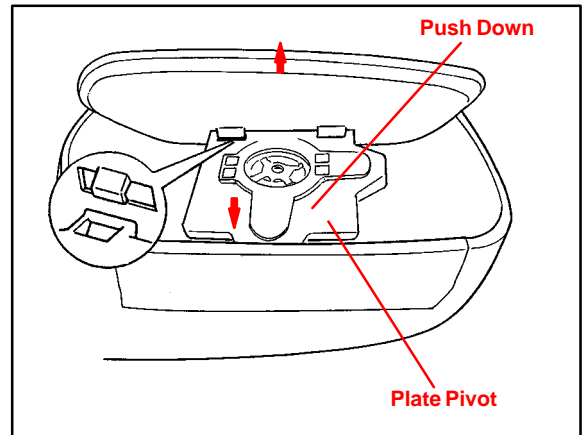


Repair Procedure

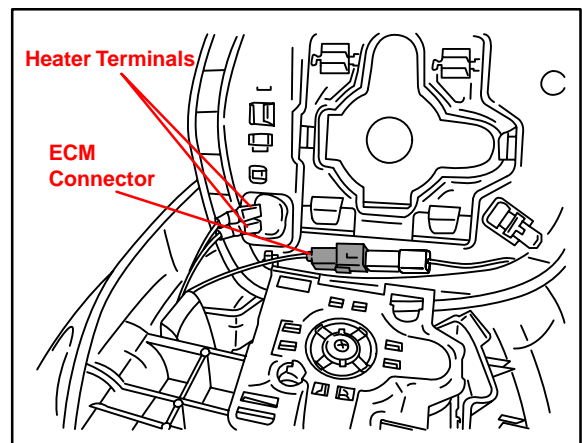
1. Disconnect the negative (-) battery terminal.
2. Disconnect the mirror.
 - A. To prevent damage, apply protective tape on the lower side of the mirror body.
 - B. Push the upper corner of the mirror to tilt out the lower corner.
 - C. Insert a flat blade screwdriver between the mirror holder (black) and plate pivot (white), and twist to disconnect the two (2) lower claws.



- D. Push the lower side of the plate pivot to tilt it down.
- E. Pull up the mirror to disconnect the two (2) upper claws.

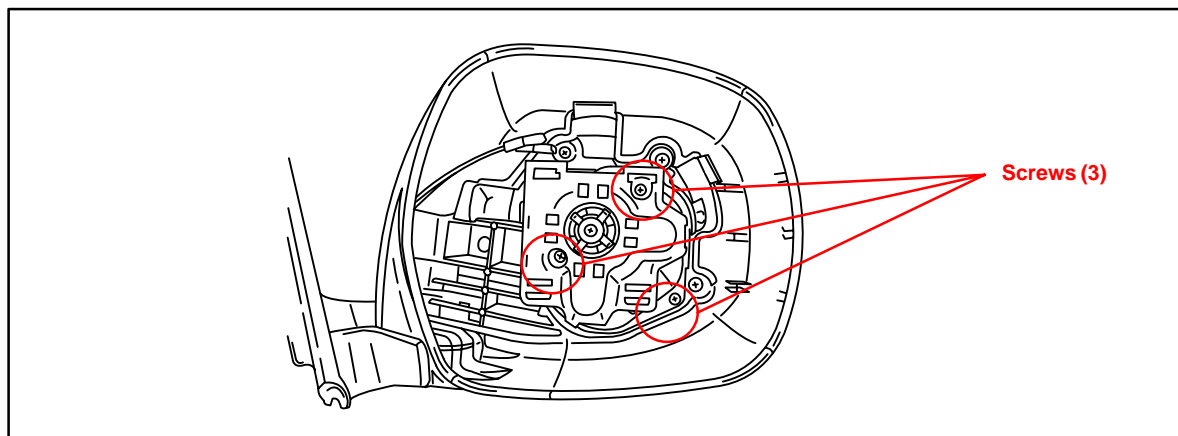


- F. **For heated mirrors:** Disconnect both 1-pin connectors from the mirror assembly.
- G. Take off the ECM connector from the mirror assembly, and pull off the white connector.

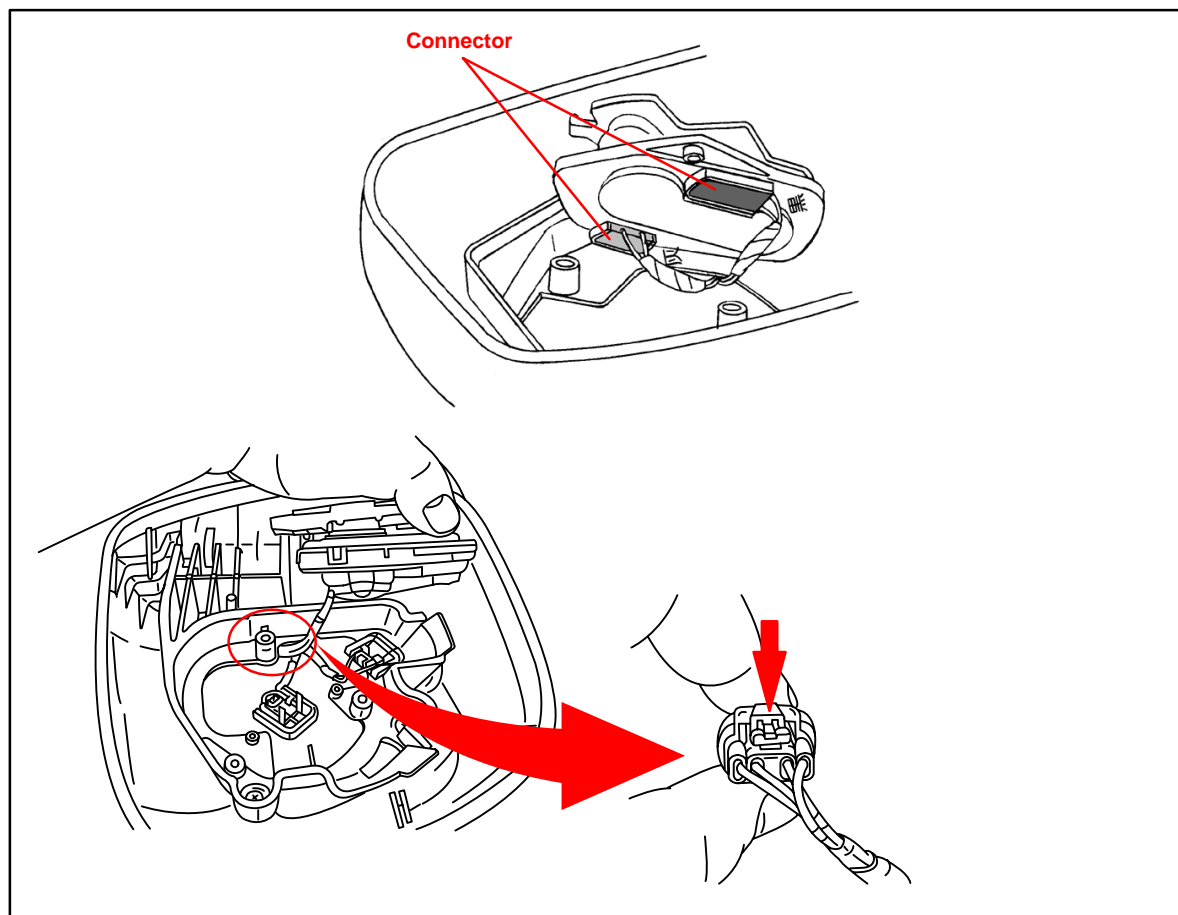


Repair Procedure
(Continued)

3. Remove the mirror actuator.
 - A. Remove the three (3) screws from the actuator.



- B. Gently disconnect the three (3) connectors from the mirror actuator.



NOTE:
Disconnect the hidden 5-pin connector by pushing down on the lock tab.

- C. Remove the OLD actuator and discard.

Repair Procedure
(Continued)

4. Assemble a NEW actuator and mirror.

Reassembly is the reverse order of disassembly.

You **MUST** fit in the harness connector correctly.

Confirm correct connector color indication on the back surface of the mirror actuator (one gray and one black flat 2-pin connector).

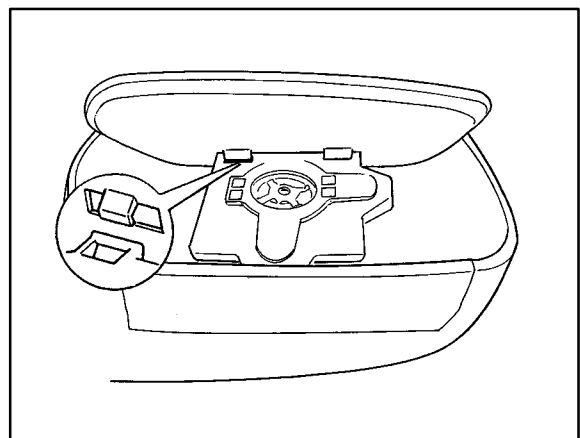
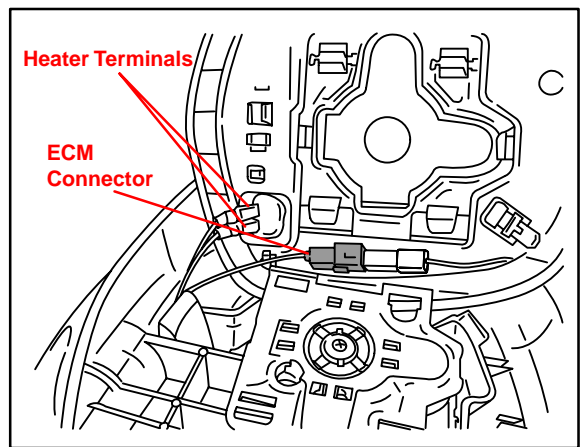
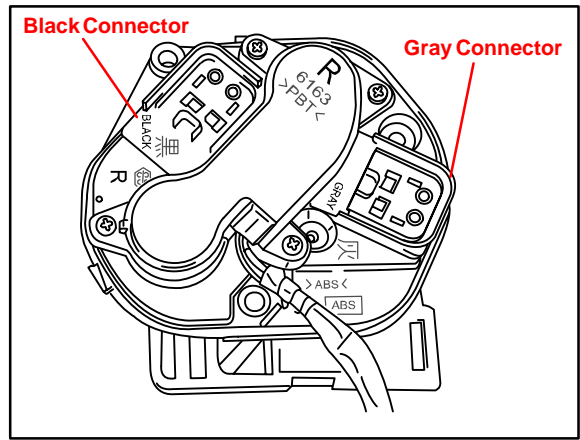
- A. Tighten the three (3) screws for the actuator.

Torque: 1.5 – 1.96 N•m
(15.30 – 19.99 kgf•cm,
13.28 – 17.35 in.•lbf)

- B. **For heated mirrors:** Resecure the heater terminals.

- C. Fit the ECM connector to the mirror assembly.

- D. Hook the upper claws of the mirror holder into the plate pivot.



**Repair
Procedure**
(Continued)

- E. Reconnect the mirror holder — Apply pressure to the indicated areas until you hear the holder clips snap into place.

CAUTION:

If pressure is applied in areas other than the ones indicated, the mirror glass may break.

5. Repeat steps 2A through 4D on the opposite side rear view mirror.
6. Reconnect the negative (–) battery terminal.
7. Test normal operation of mirrors.
8. Remove the protective tape and clean the mirror housing and glass.
9. Re-initialize power systems.
To re-initialize power systems, refer to TSIB No. PD010-05, *“Power System Initialization During PDS.”*

