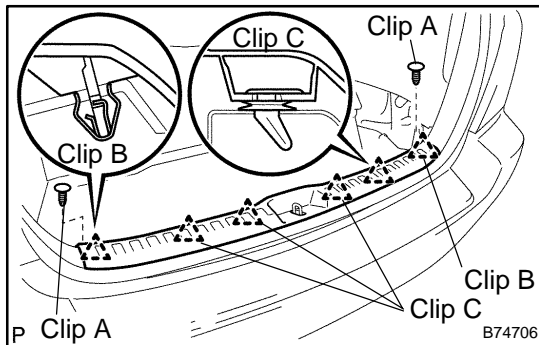


REPLACEMENT

HINT:

- The installation procedures are the removal procedures in reverse order. However, only installation procedures requiring additional information are included.
- A bolt without a torque specification is shown in the standard bolt chart (see page 03-2).

- 1. REMOVE DECK FLOOR BOX FRONT**
- 2. REMOVE DECK FLOOR BOX REAR**

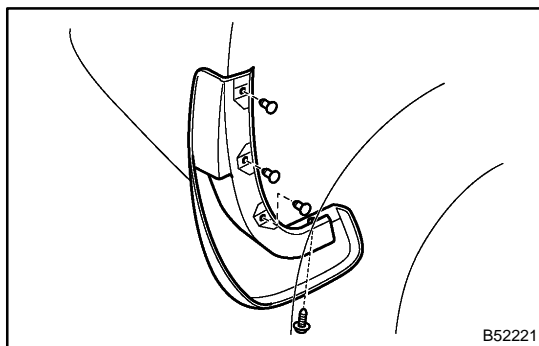


3. REMOVE REAR FLOOR FINISH PLATE

- Using a screwdriver, remove the 2 clips labeled A and 2 clips labeled B, 4 clips labeled C and finish plate.

HINT:

Tape the screwdriver tip before use.



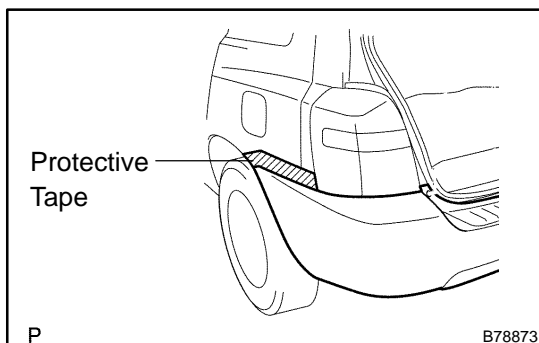
4. REMOVE QUARTER PANEL MUDGUARD SUB-ASSY REAR LH (W/ MUDGUARD)

- Remove the 3 clips, screw and mudguard.

5. REMOVE QUARTER PANEL MUDGUARD SUB-ASSY REAR RH (W/ MUDGUARD)

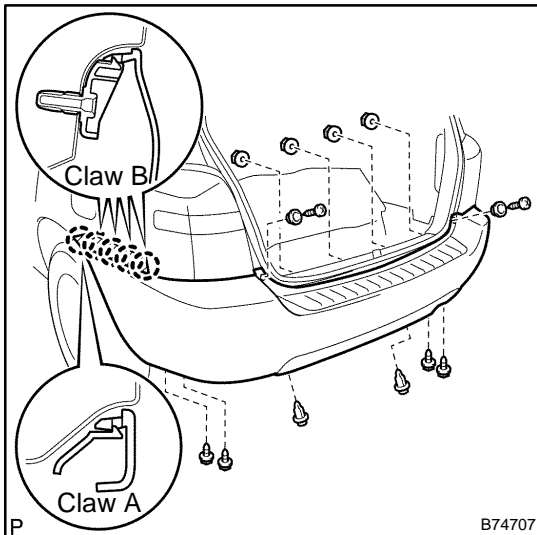
HINT:

Use the same procedure described for the LH side.



6. REMOVE REAR BUMPER COVER

- Put protective tape under the quarter panel.

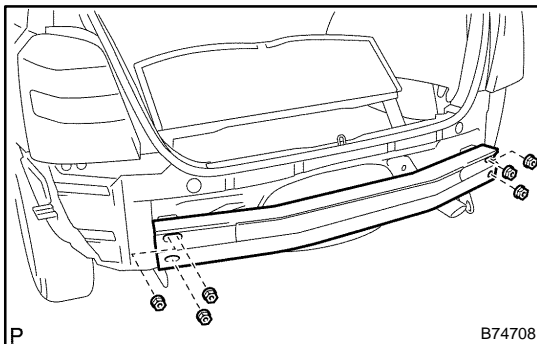


- (b) Remove the 6 screws, 4 nuts and 2 clips.
- (c) Using a screwdriver, disengage the claw labeled A, 4 claws labeled B and bumper cover.

HINT:

Tape the screwdriver tip before use.

7. REMOVE REAR BUMPER ENERGY ABSORBER



8. REMOVE REAR BUMPER REINFORCEMENT NO.1

- (a) Remove the 6 nuts and reinforcement.

9. REMOVE REAR BUMPER BAR

10. REMOVE REAR BUMPER BAR LH

11. REMOVE REAR BUMPER BAR RH

12. REMOVE REAR BUMPER SIDE RETAINER LH

- (a) Remove the 3 screws and side retainer.

13. REMOVE REAR BUMPER SIDE RETAINER RH

- (a) Remove the 3 screws and side retainer.

14. REMOVE REAR BUMPER SUPPORT NO.1

15. REMOVE REAR BUMPER SIDE MOUNTING BRACKET LH

- (a) Remove the screw and bracket.

16. REMOVE REAR BUMPER SIDE MOUNTING BRACKET RH

- (a) Remove the screw and bracket.

17. REMOVE REAR BUMPER SIDE SUPPORT LH

18. REMOVE REAR BUMPER SIDE SUPPORT RH

19. INSTALL REAR BUMPER SIDE MOUNTING BRACKET LH

- (a) Install the bracket with the screw.

Torque: 3.0 N·m (31 kgf·cm, 27 in.-lbf)

20. INSTALL REAR BUMPER SIDE MOUNTING BRACKET RH

HINT:

Use the same procedure described for the LH side.

21. INSTALL REAR BUMPER REINFORCEMENT NO.1

- (a) Install the reinforcement with the 6 nuts.

Torque: 27 N·m (275 kgf·cm, 20 ft·lbf)

22. INSTALL REAR BUMPER COVER

- (a) Engage the 10 claws.

- (b) Install the bumper cover with the 2 clips, 6 screws and 4 nuts.

Torque: 3.0 N·m (31 kgf·cm, 27 in·lbf) for bolt

Torque: 8.0 N·m (85 kgf·cm, 71 in·lbf) for nut

23. INSTALL QUARTER PANEL MUDGUARD SUB-ASSY REAR LH (W/ MUDGUARD)

- (a) Install the mudguard with the 3 clips and bolt.

Torque: 3.0 N·m (31 kgf·cm, 27 in·lbf)

24. INSTALL QUARTER PANEL MUDGUARD SUB-ASSY REAR RH (W/ MUDGUARD)

HINT:

Use the same procedure described for the LH side.