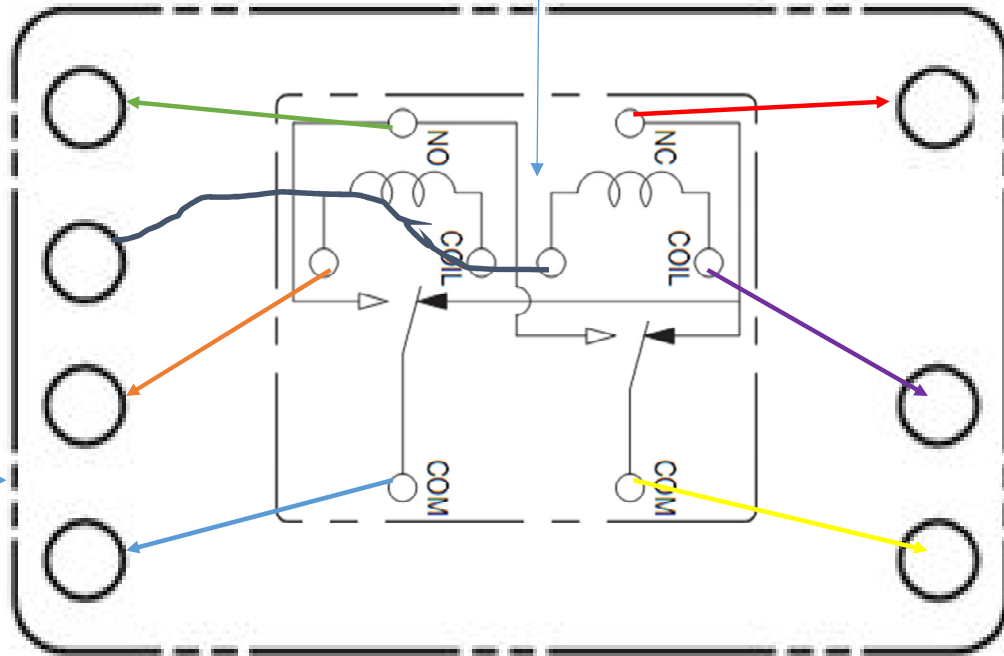


CR2-12V schematic (top view)

Bottom pin view of ACJ2112



Component side of PCB

