

3.3 CASSETTE MECHANISM MODULE

A

A

B

B

C

C

D

D

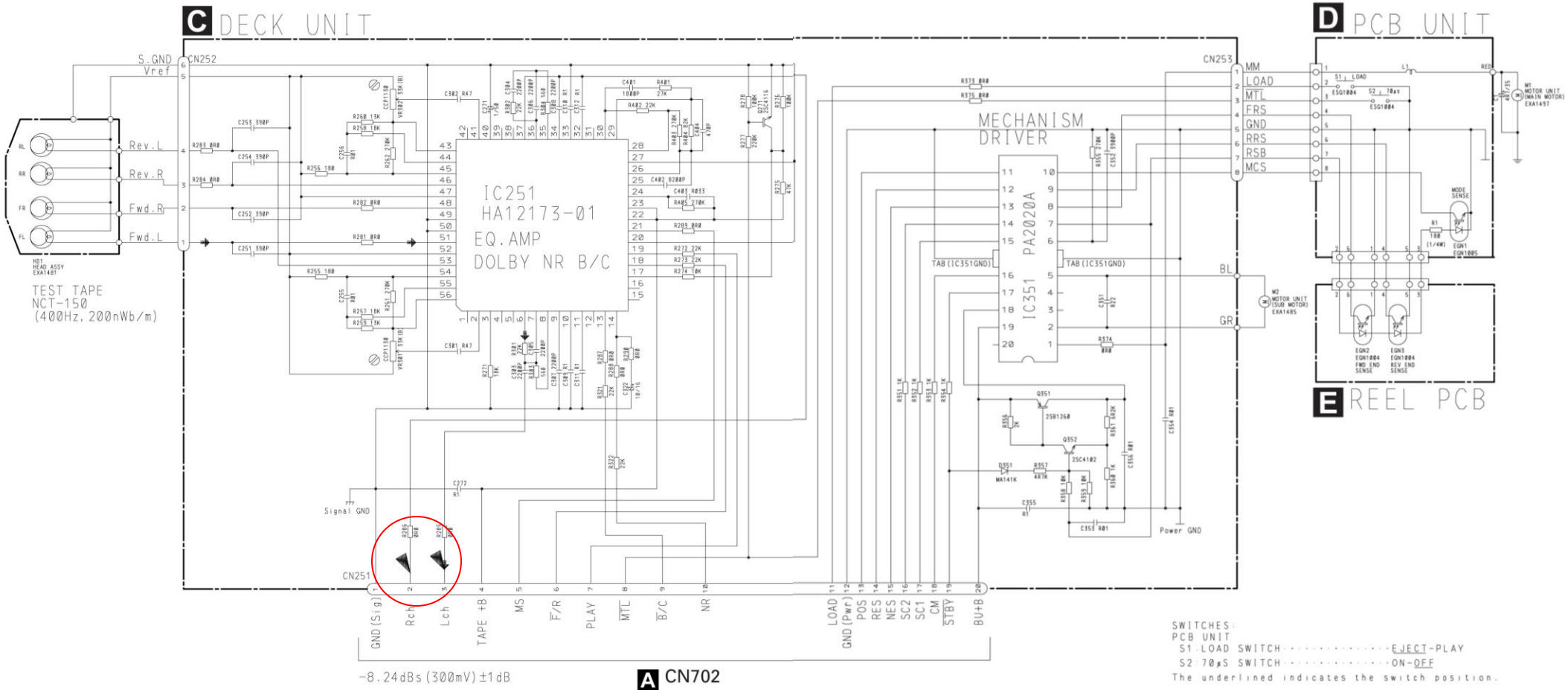


Fig. 7