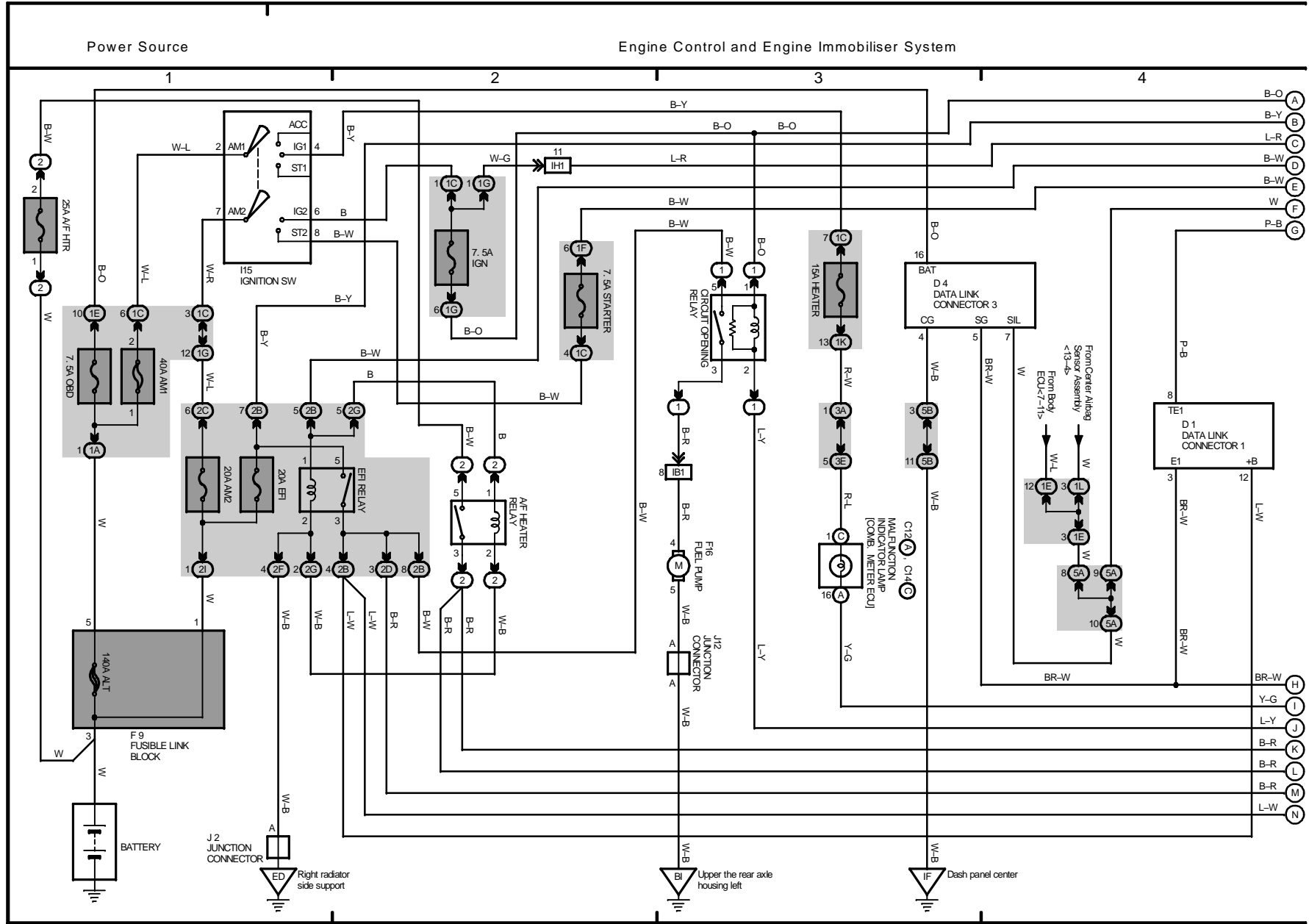


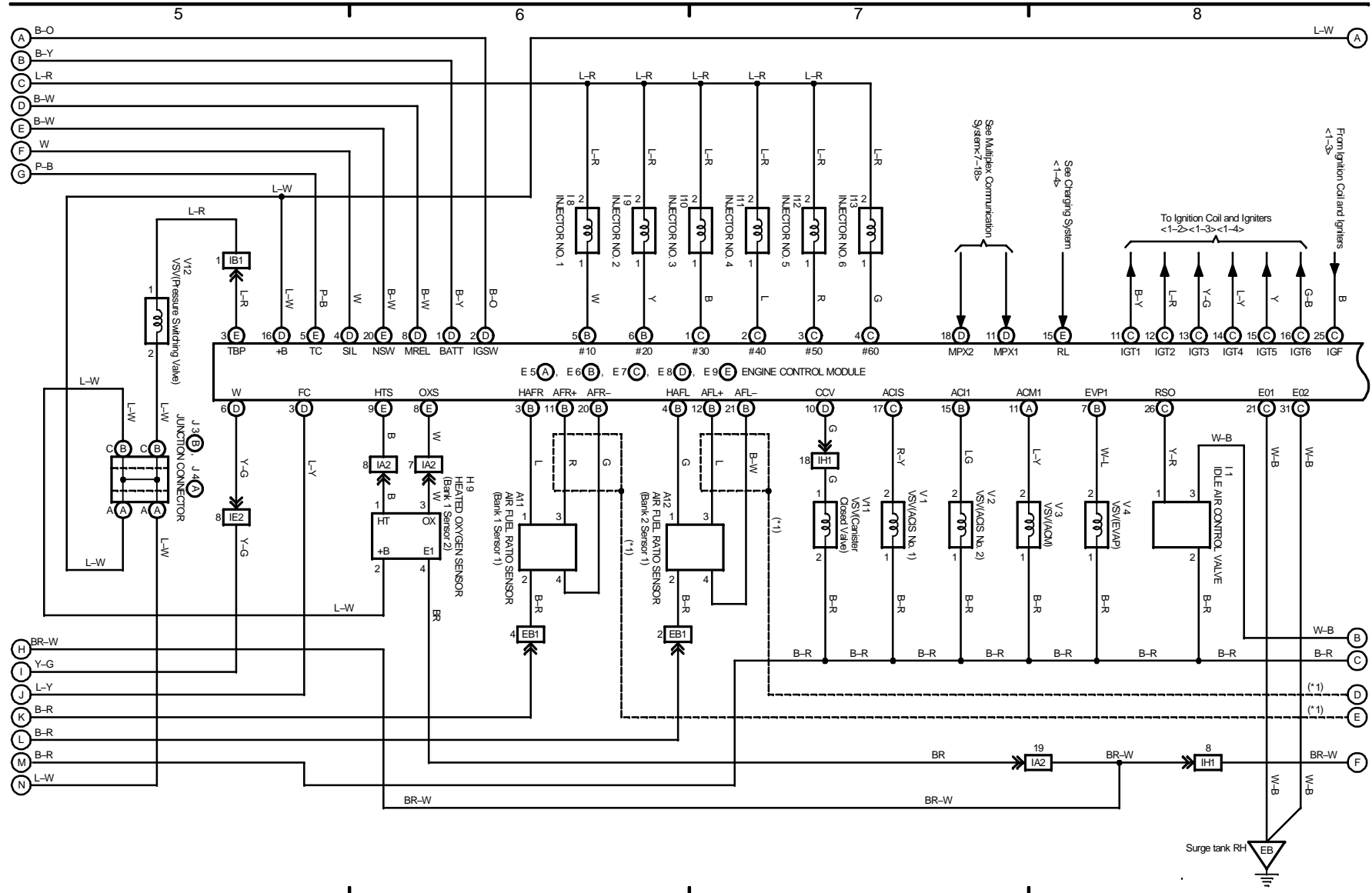
M OVERALL ELECTRICAL WIRING DIAGRAM



2000 LEXUS RX 300 (EWD395U)

Engine Control and Engine Immobiliser System

* 1 : Shielded

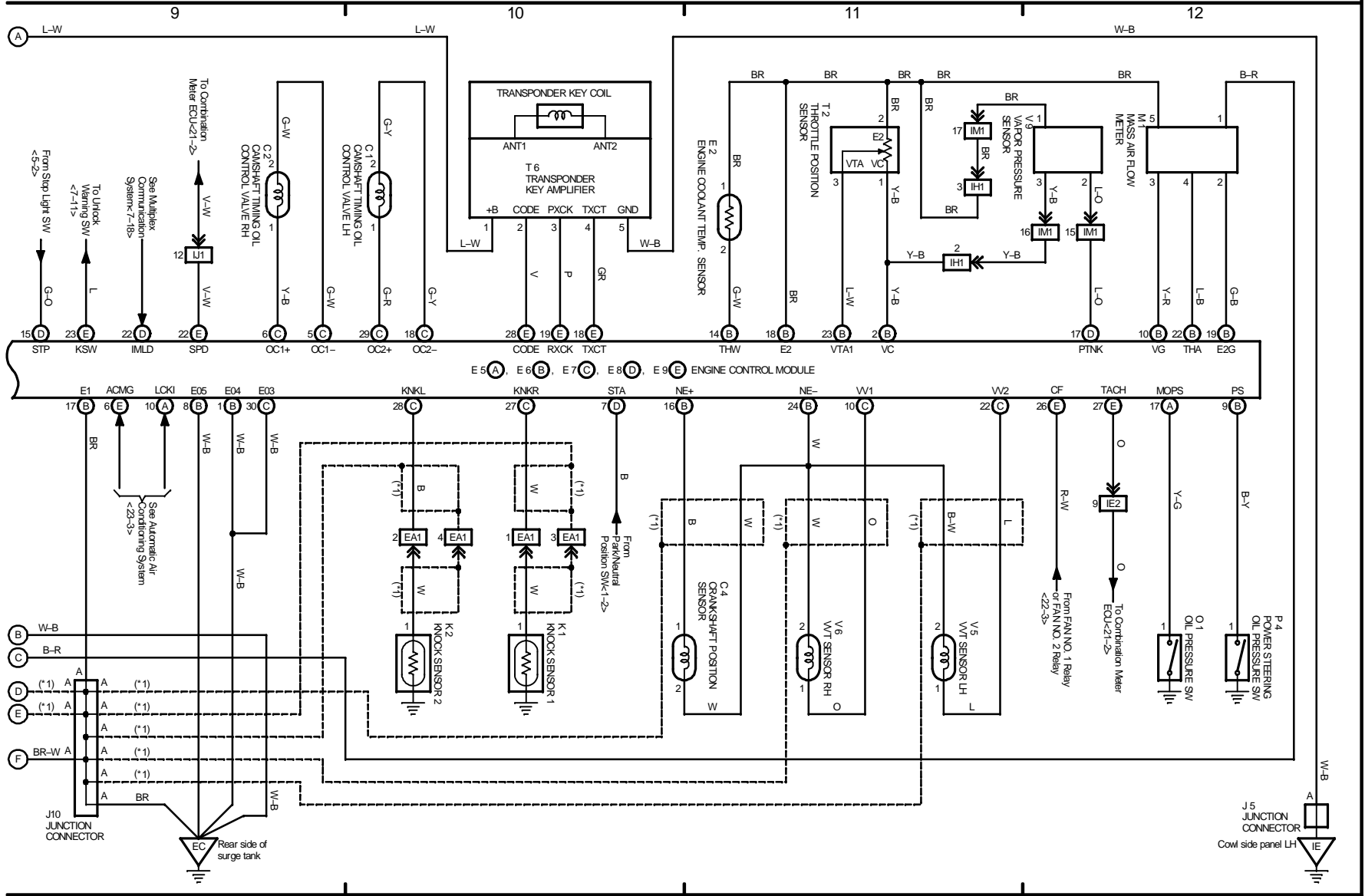


2000 LEXUS RX 300 (EWD395U)

OVERALL ELECTRICAL WIRING DIAGRAM

Engine Control and Engine Immobiliser System

* 1 : Shielded

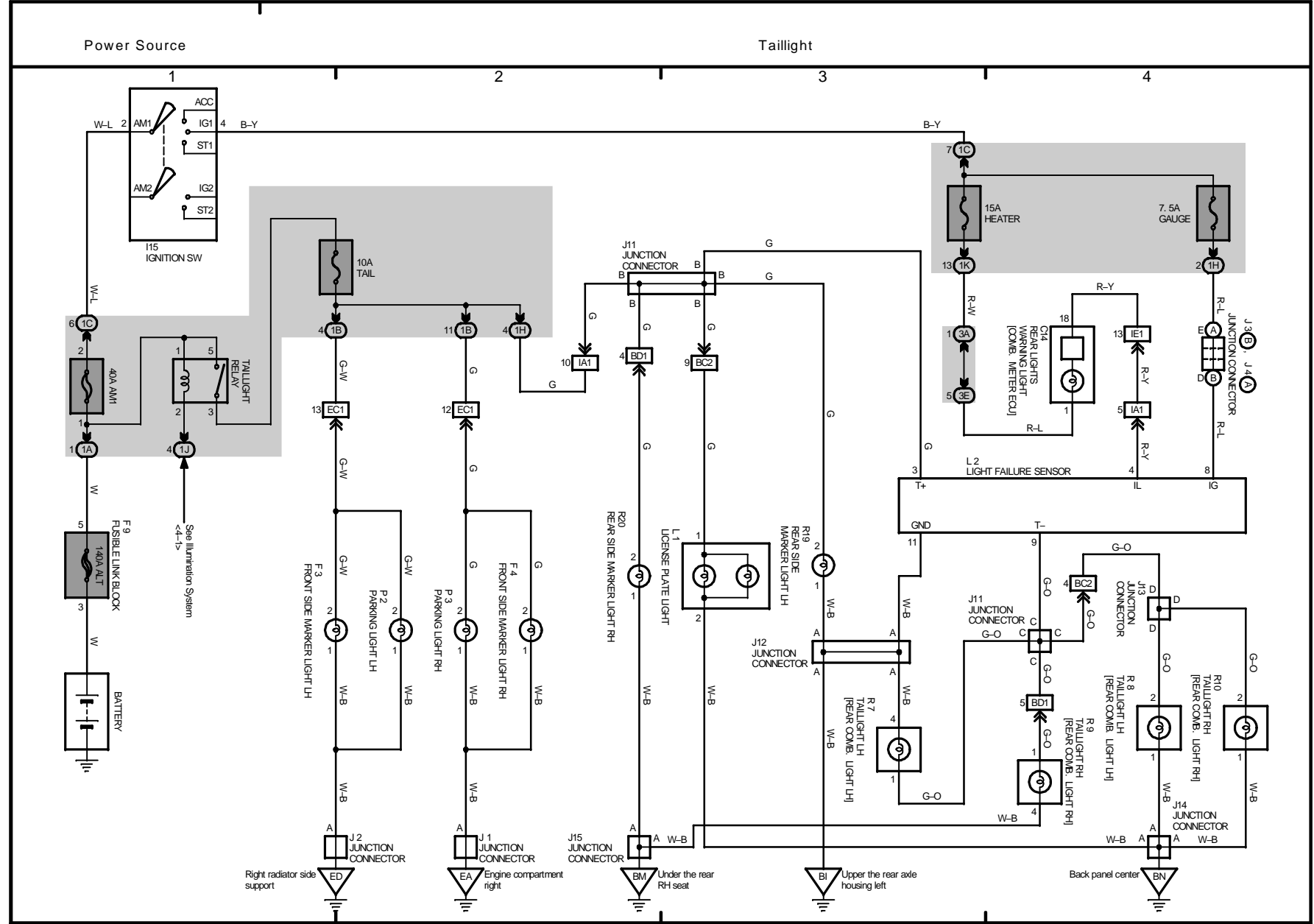


2 RX 300 (Cont' d)

2000 LEXUS RX 300 (EWD395U)

M OVERALL ELECTRICAL WIRING DIAGRAM

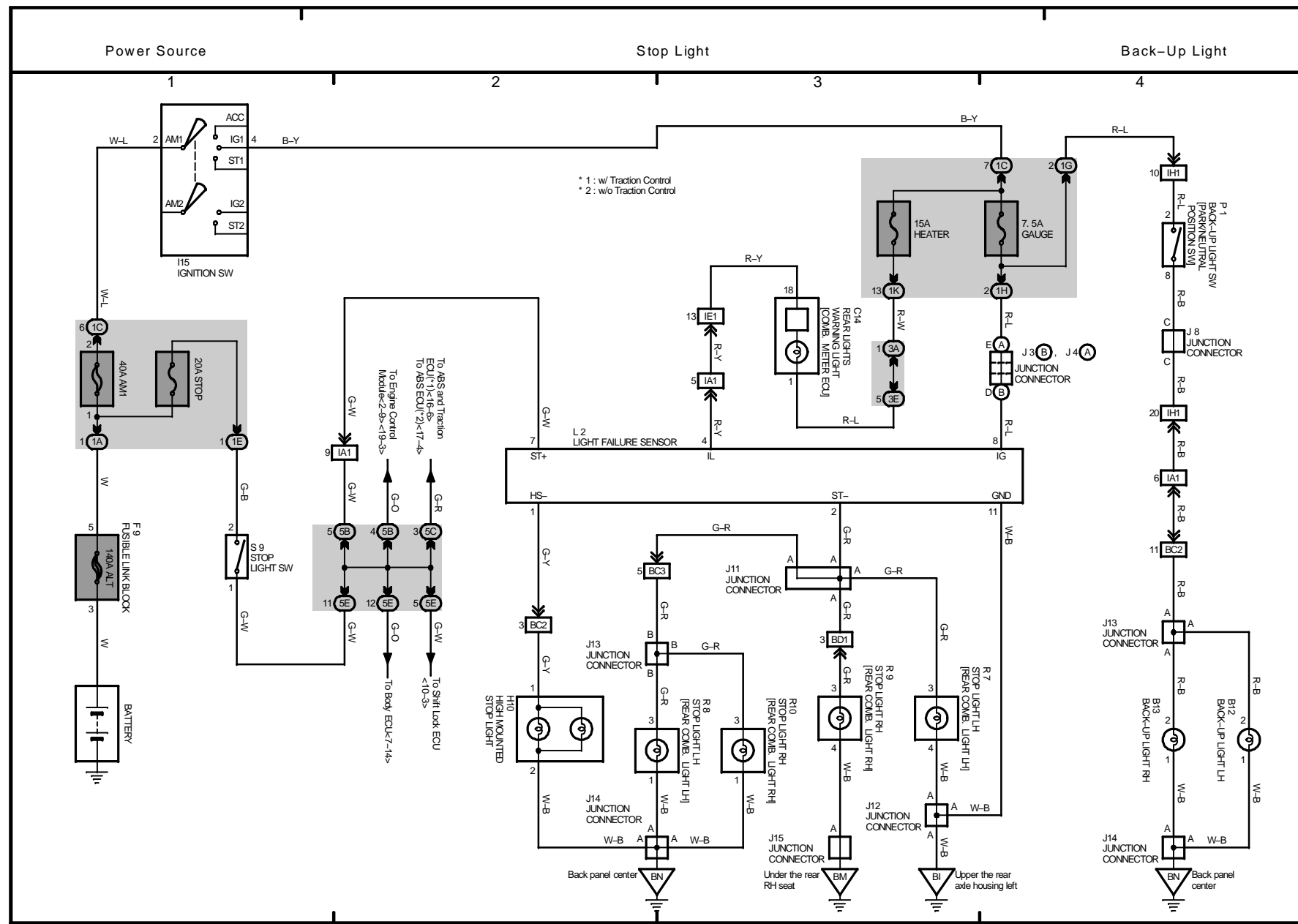
3 RX 300



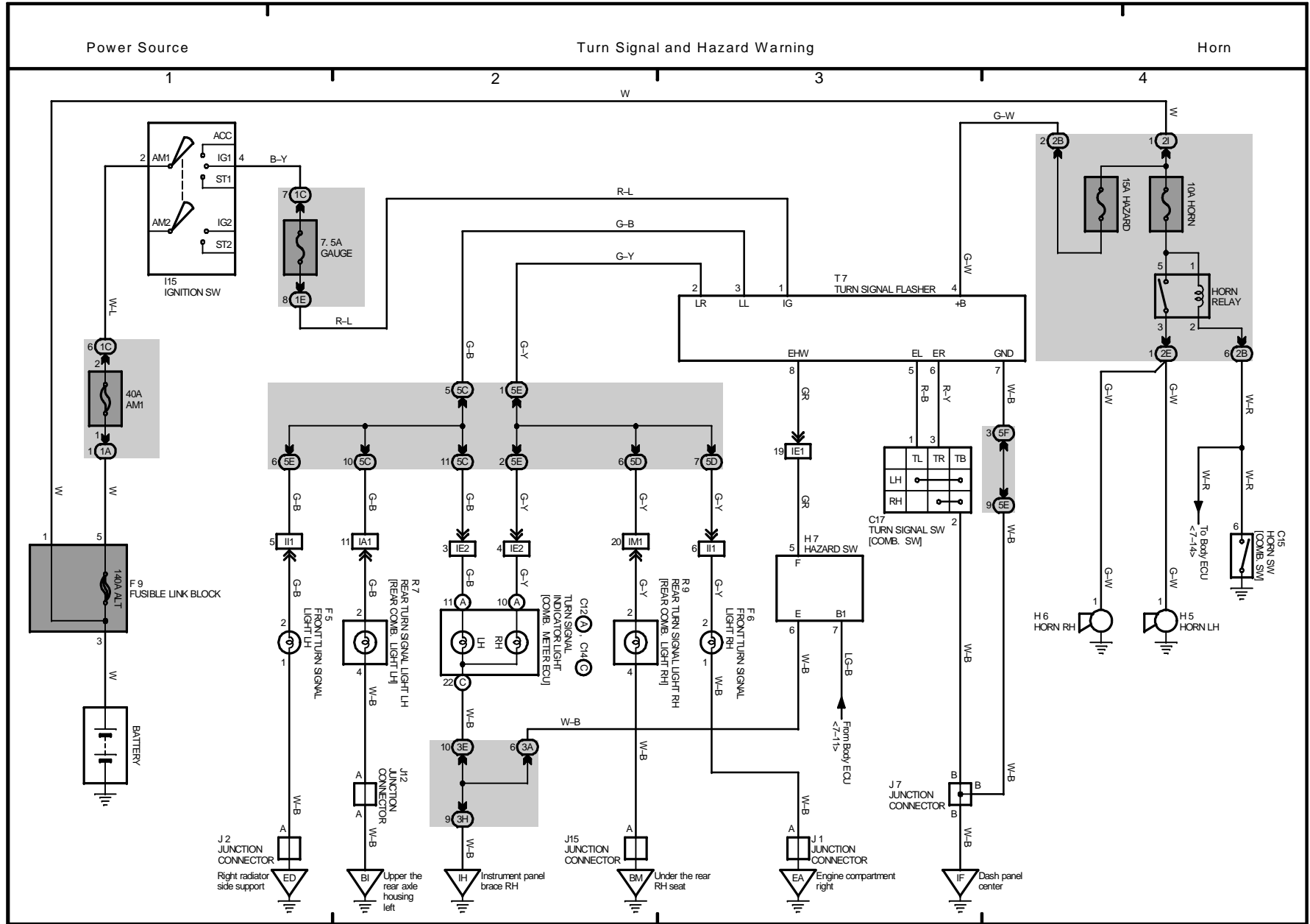
2000 LEXUS RX 300 (EWD395U)

M OVERALL ELECTRICAL WIRING DIAGRAM

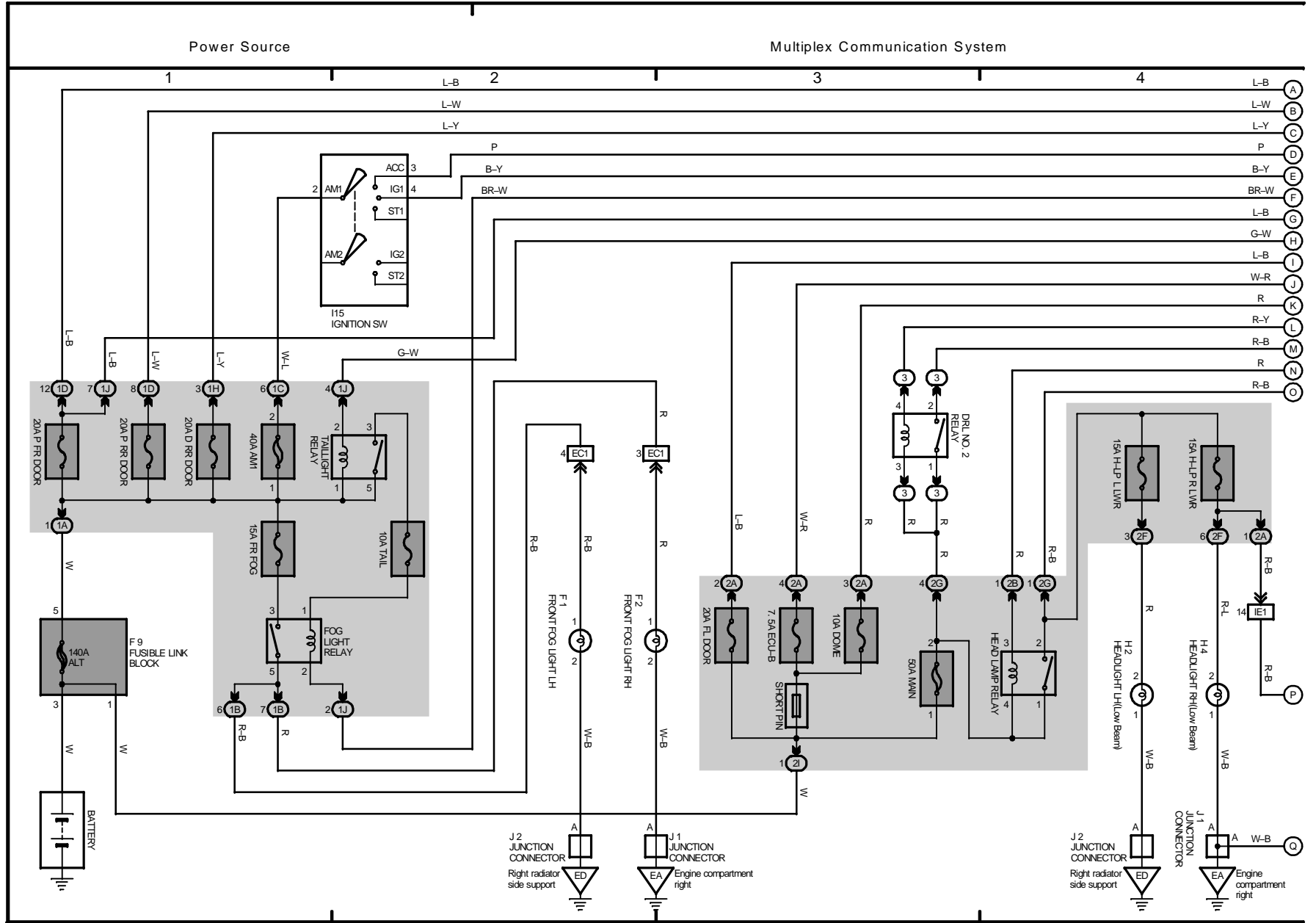
5 RX 300



2000 LEXUS RX 300 (EWD395U)

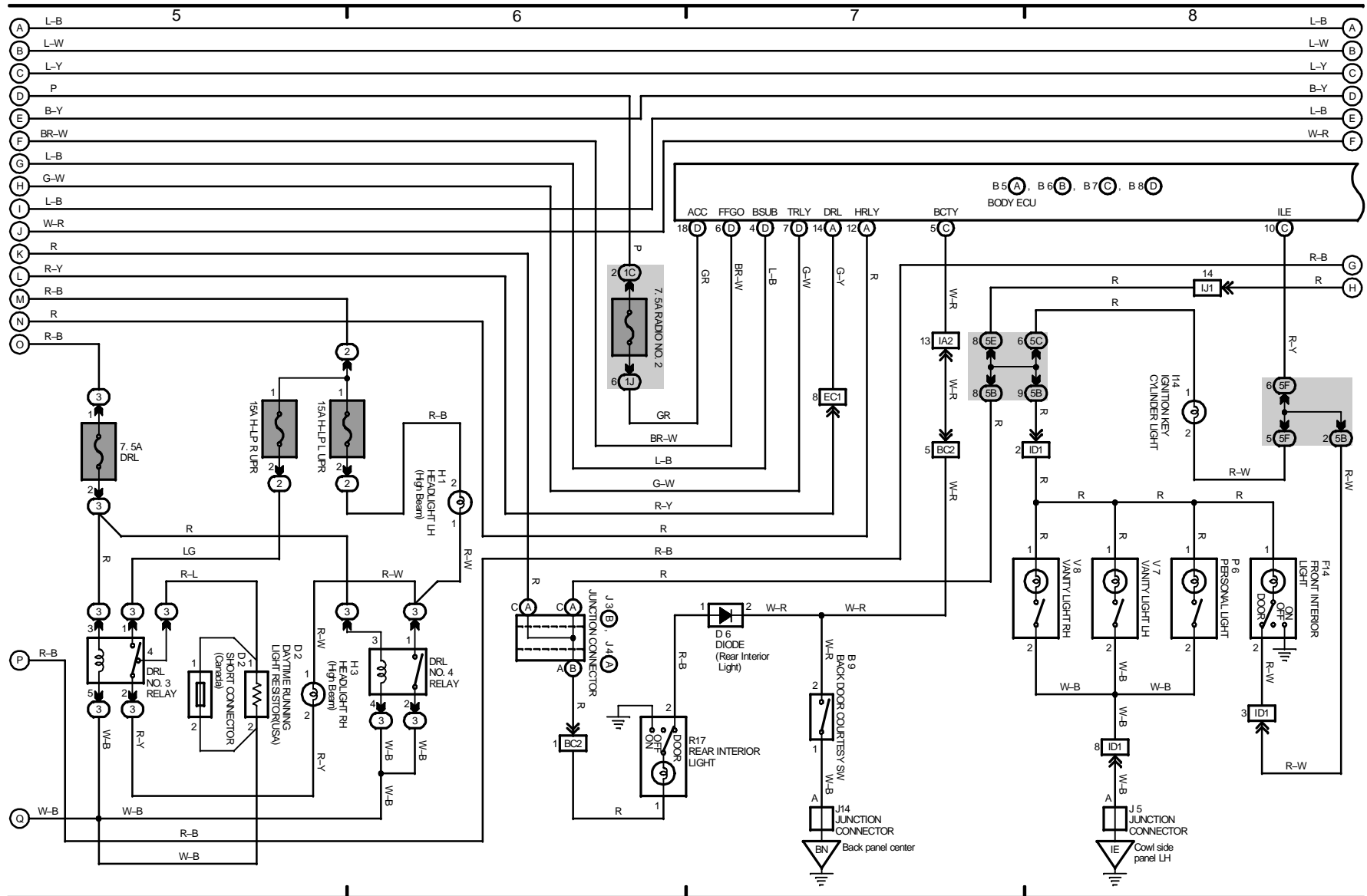


M OVERALL ELECTRICAL WIRING DIAGRAM



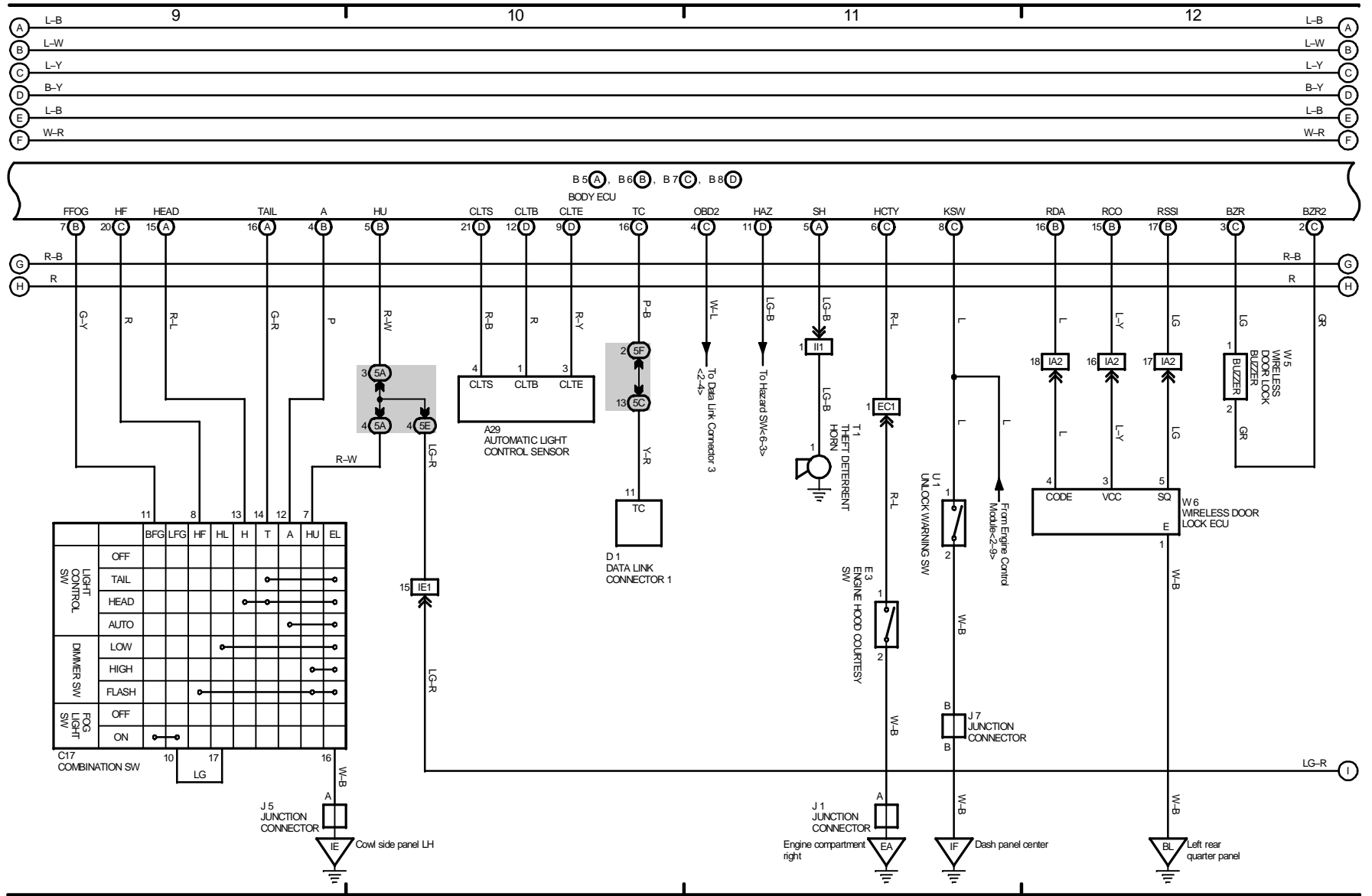
2000 LEXUS RX 300 (EWD395U)

Multiplex Communication System



2000 LEXUS RX 300 (EWPD395U)

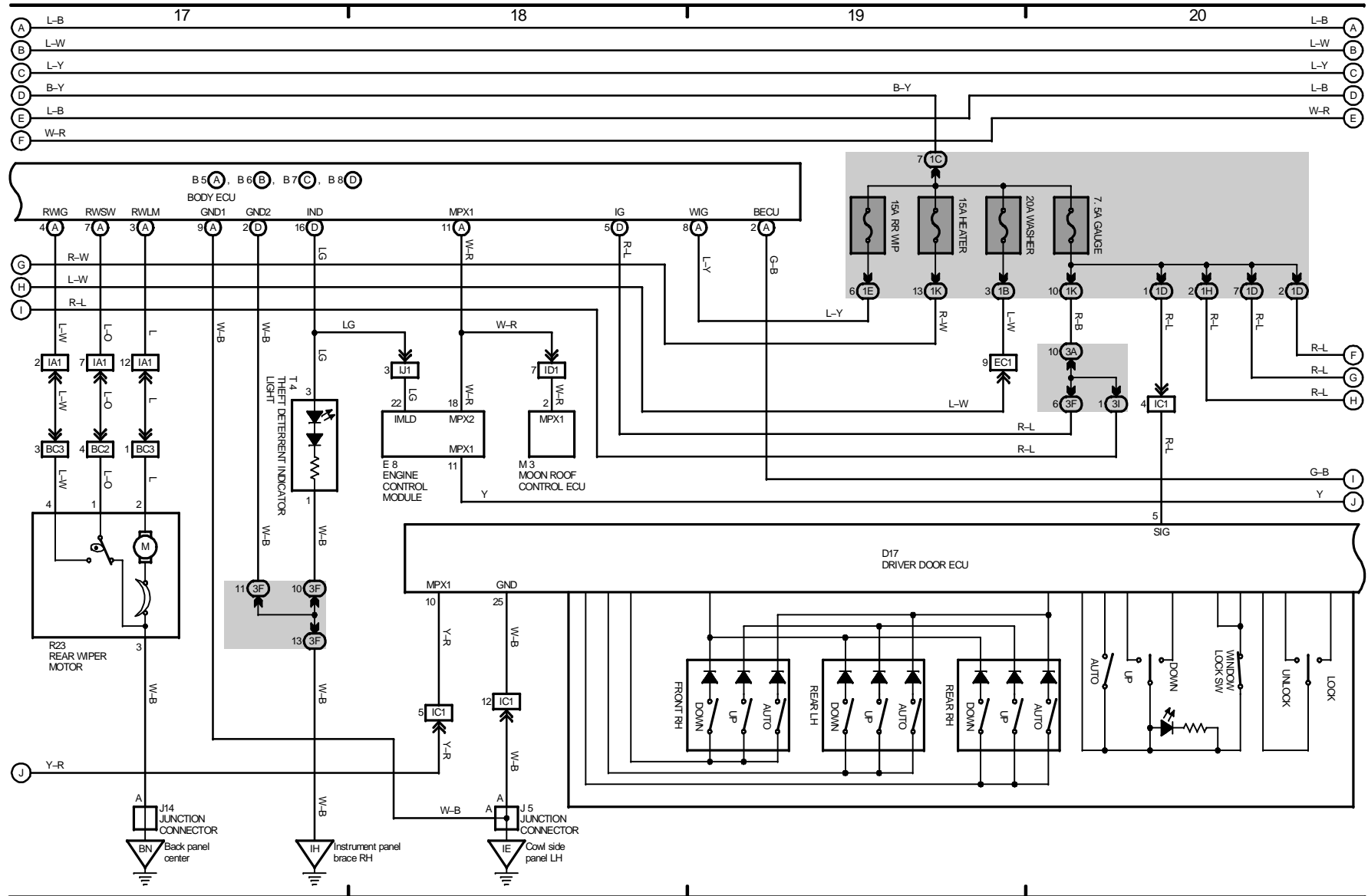
Multiplex Communication System



	BFG	LFG	HF	HL	H	T	A	HU	EL
LIGHT CONTROL SW	OFF								
	TAIL								
	HEAD								
	AUTO								
DIMMER SW	LOW								
	HIGH								
	FLASH								
FOG LIGHT SW	OFF								
	ON								

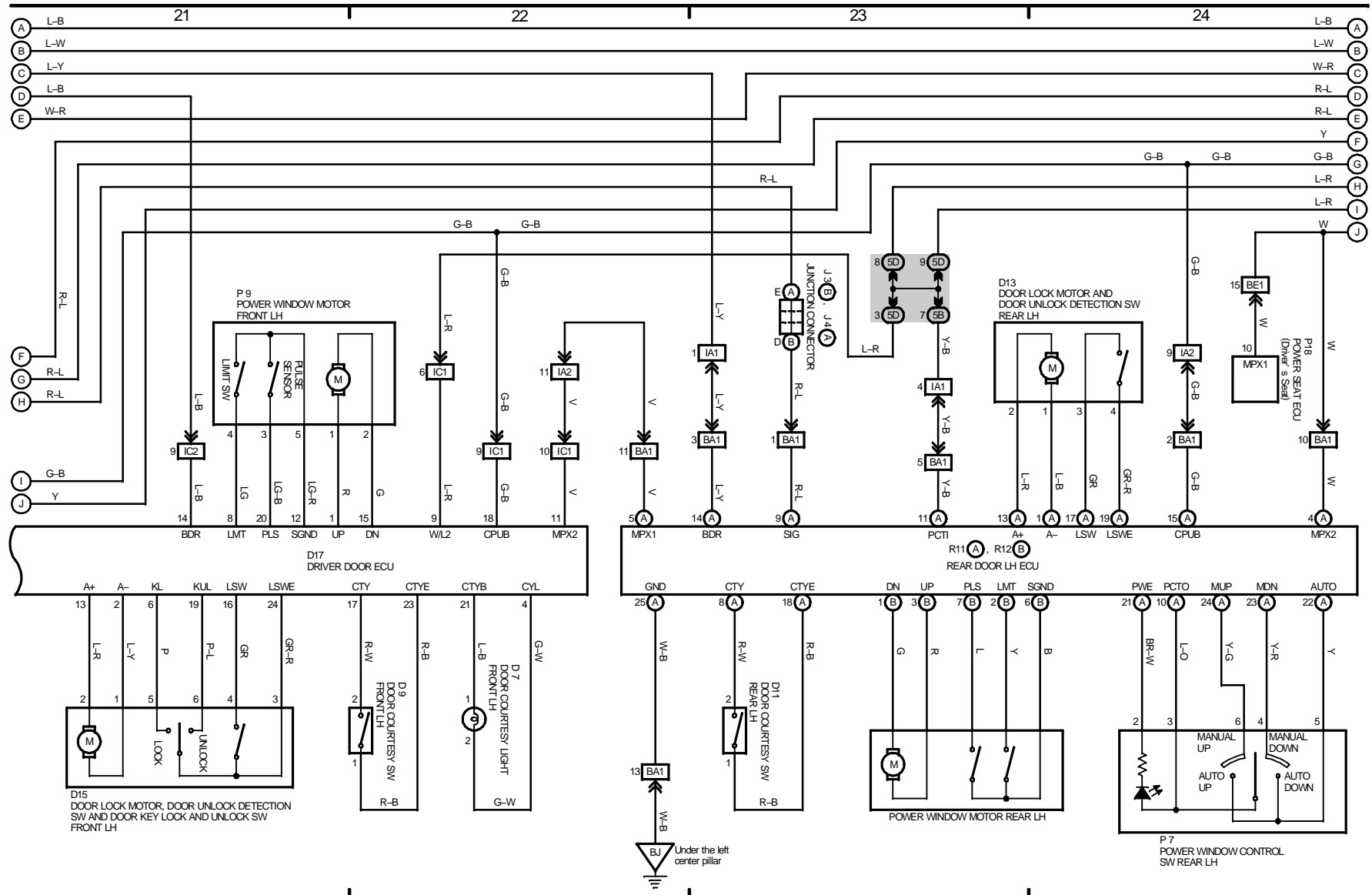
2000 LEXUS RX 300 (EWD395U)

Multiplex Communication System



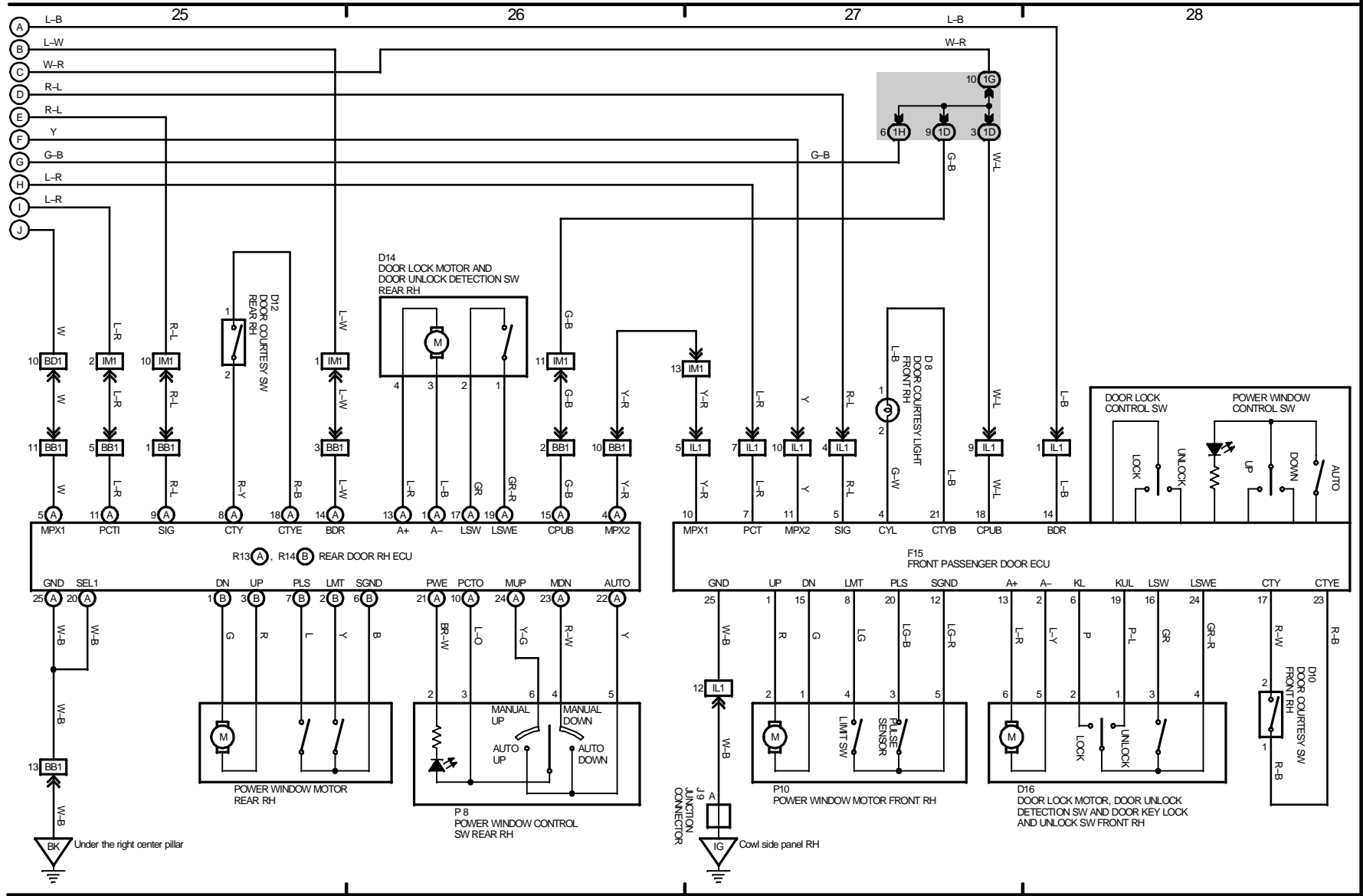
2000 LEXUS RX 300 (EWD395U)

Multiplex Communication System

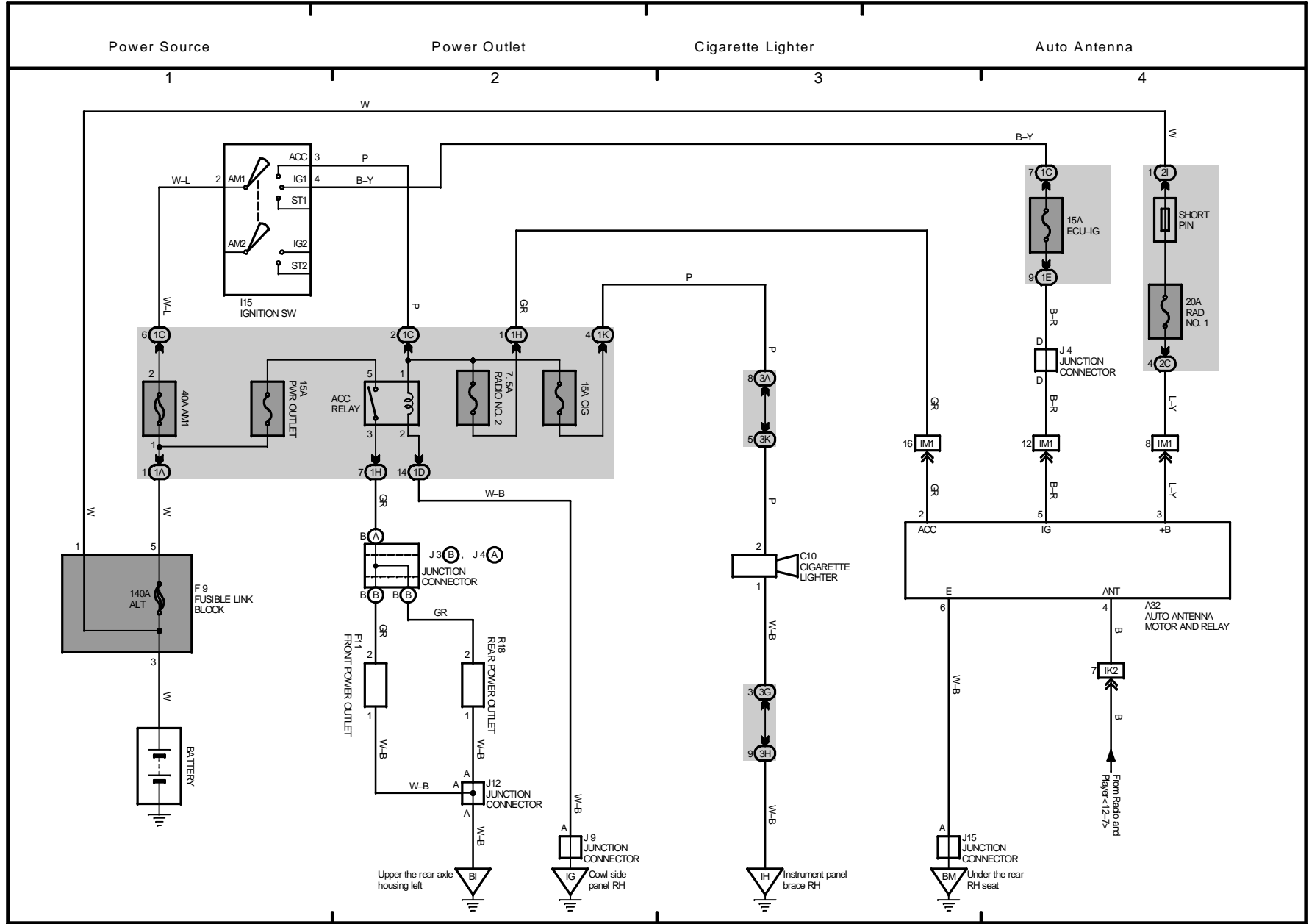


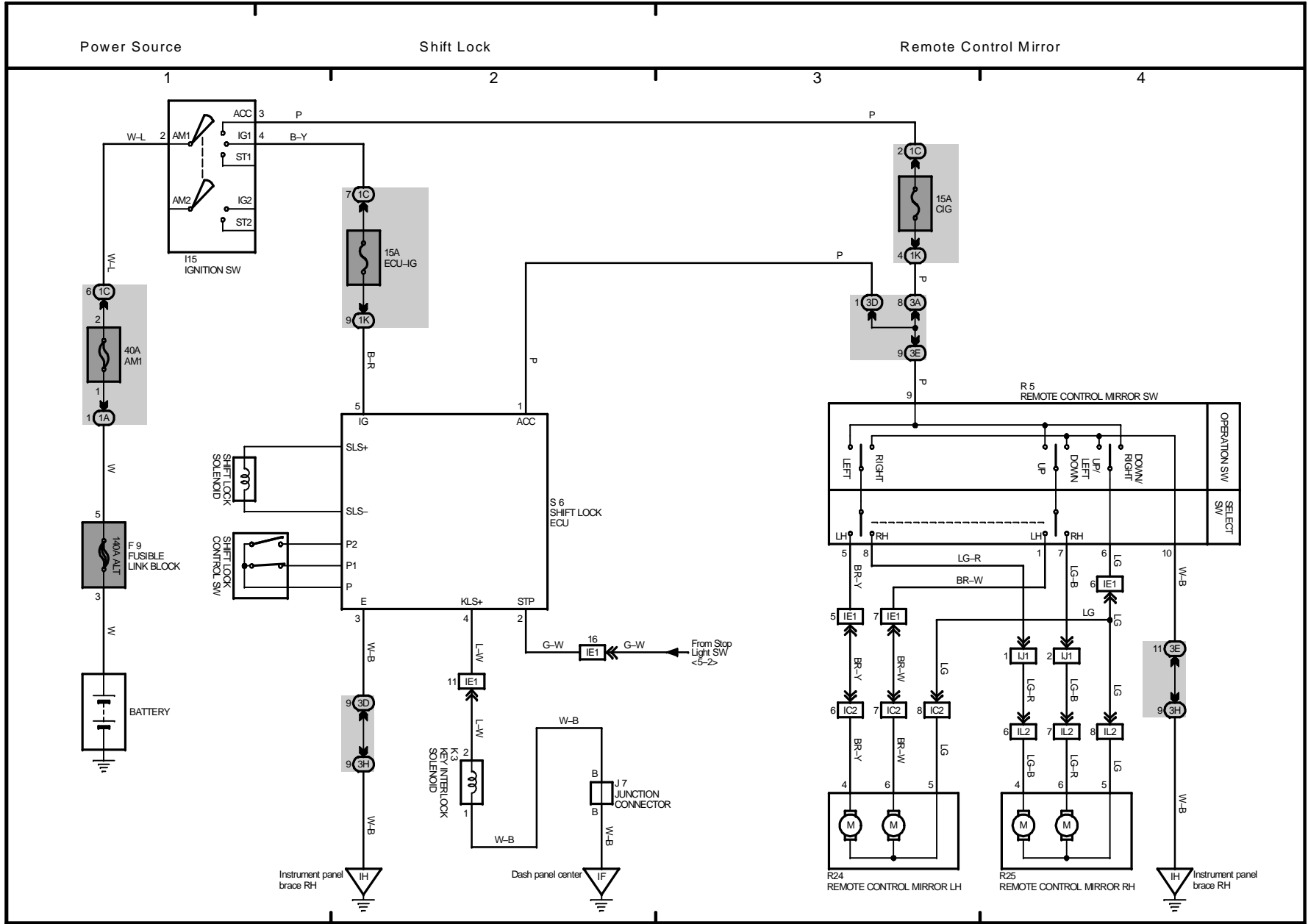
2000 LEXUS RX 300 (EWD395U)

Multiplex Communication System

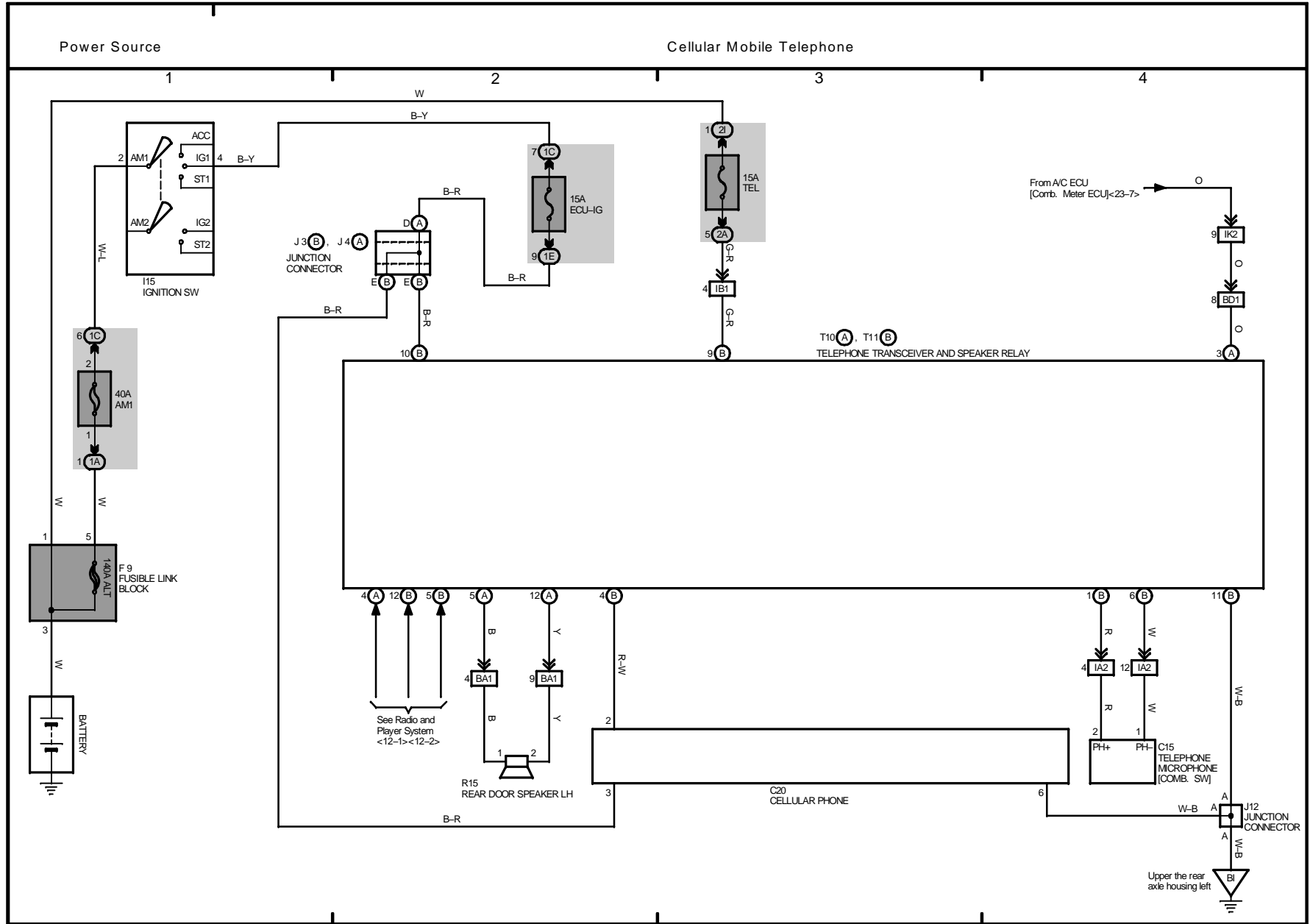


2000 LEXUS RX 300 (EWD395U)

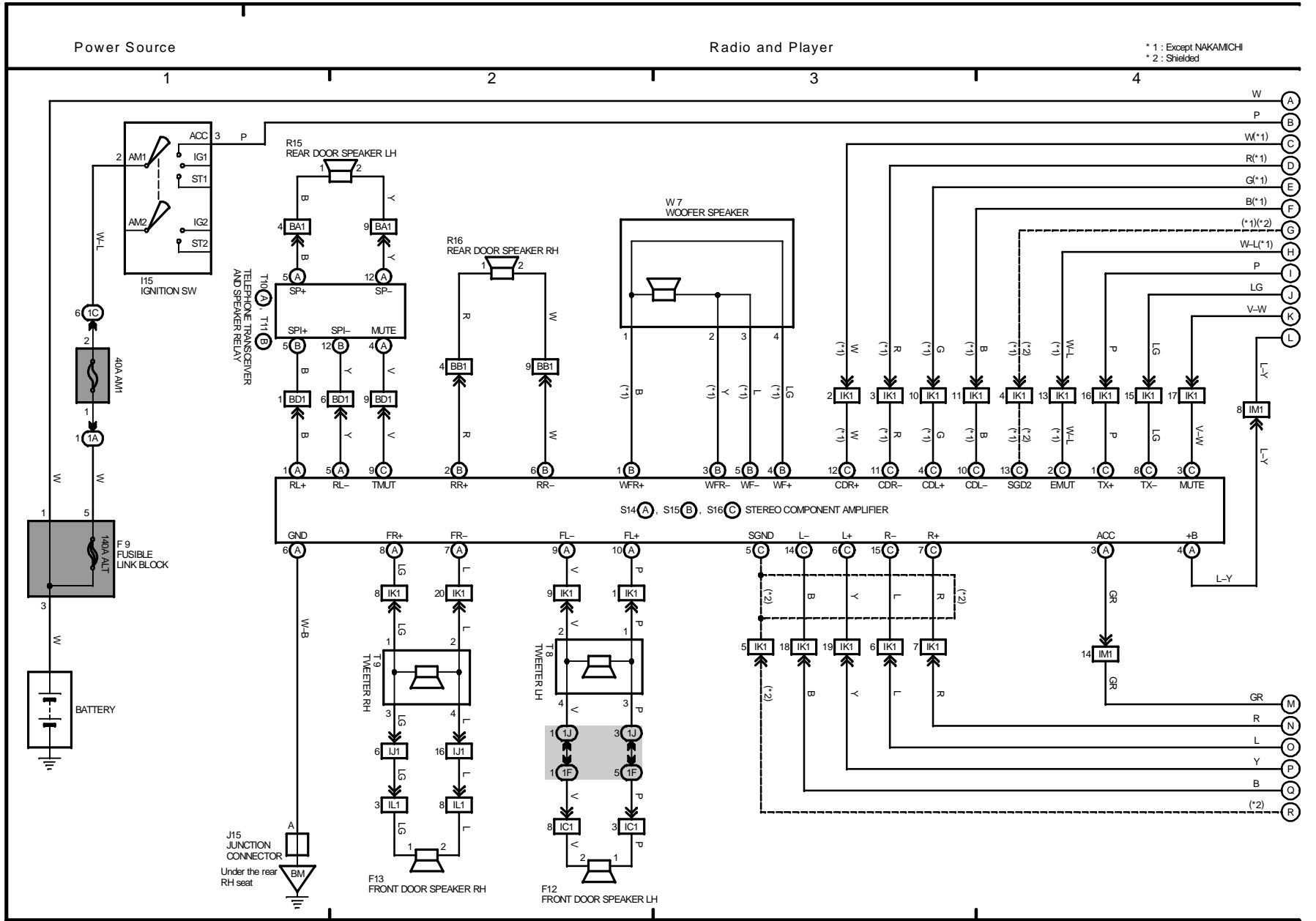




M OVERALL ELECTRICAL WIRING DIAGRAM



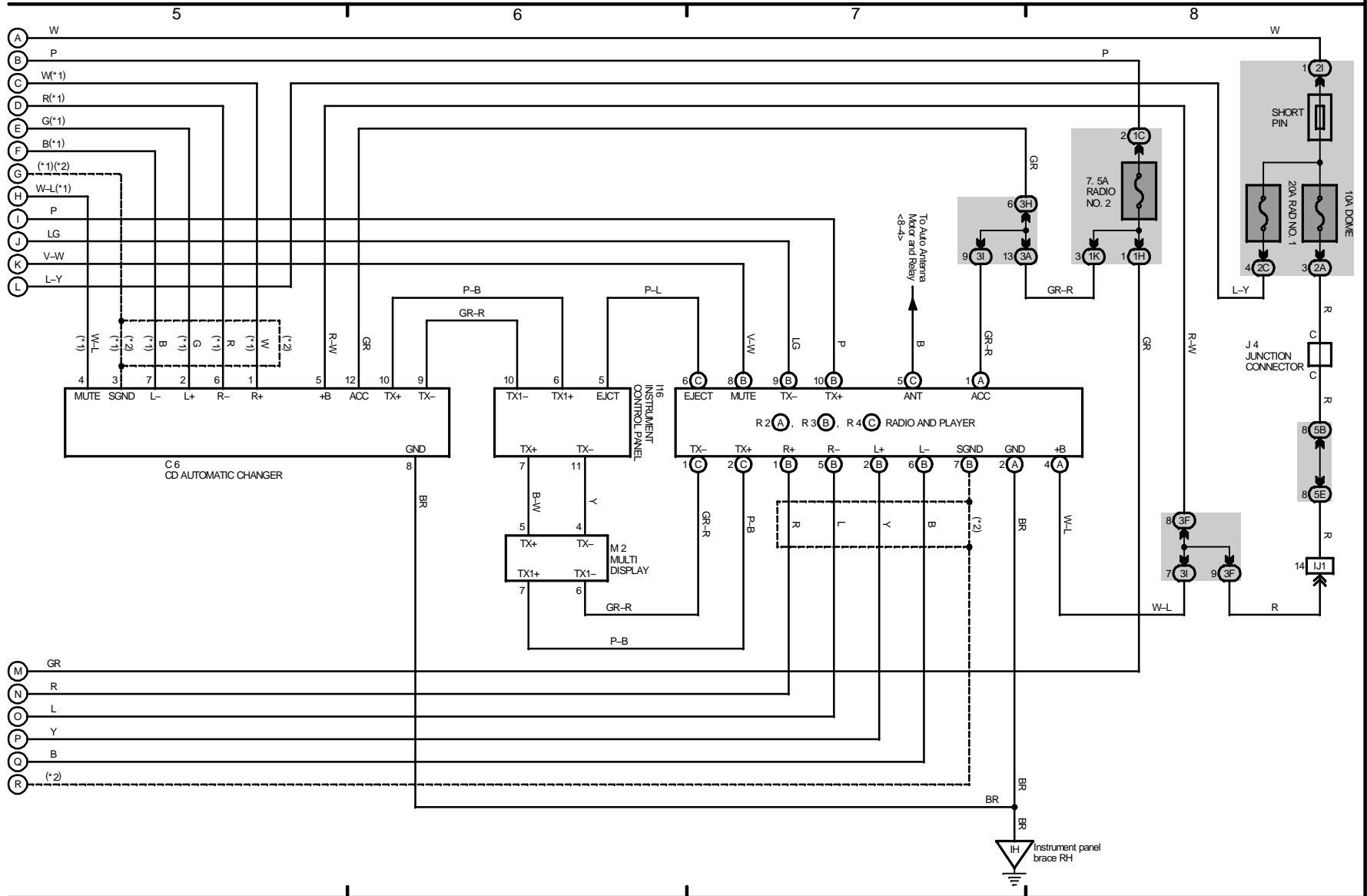
2000 LEXUS RX 300 (EWD395U)



OVERALL ELECTRICAL WIRING DIAGRAM

Radio and Player

* 1 : Except NAKAMICHI
 * 2 : Shielded

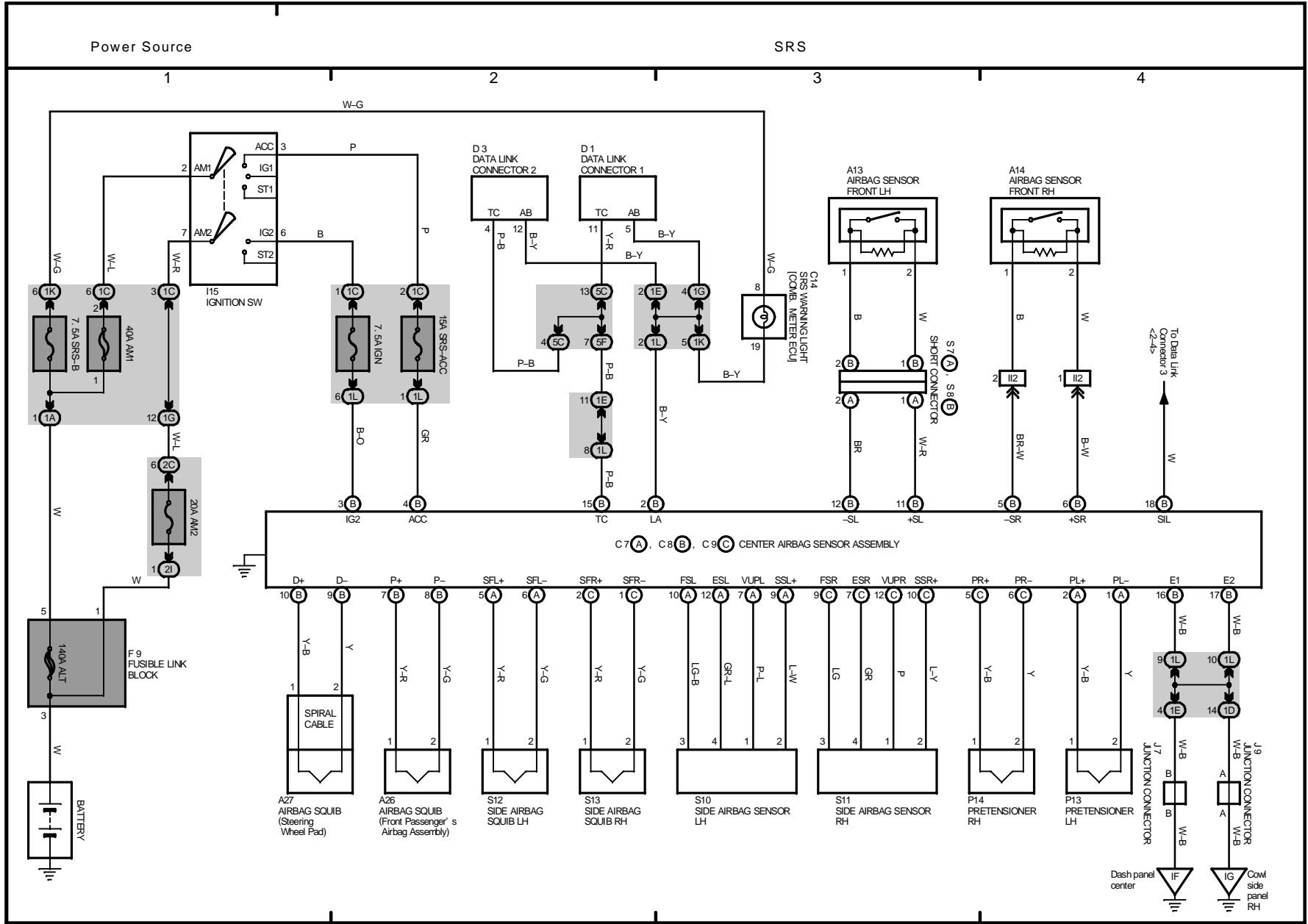


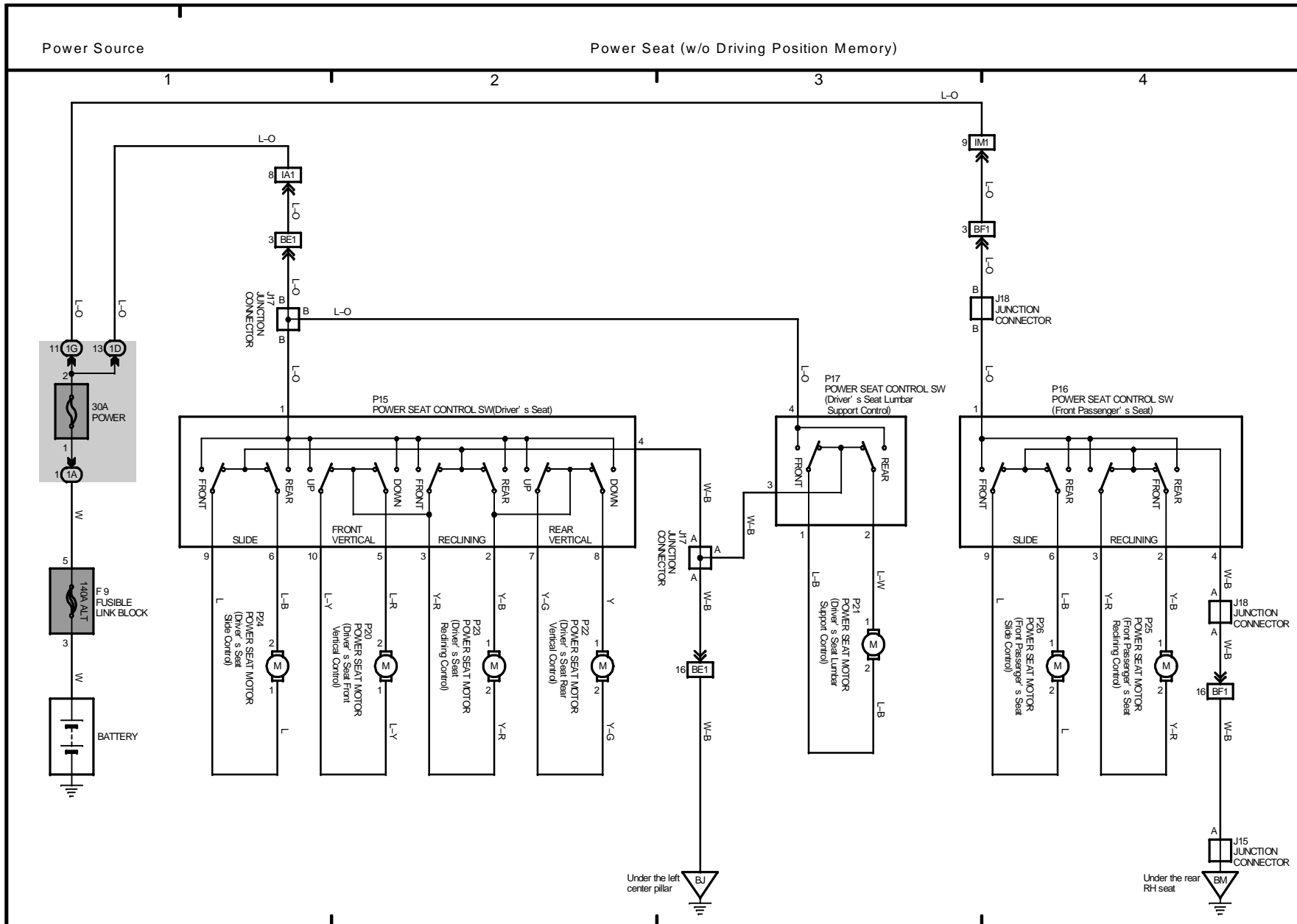
2000 LEXUS RX 300 (EWD395U)

M OVERALL ELECTRICAL WIRING DIAGRAM

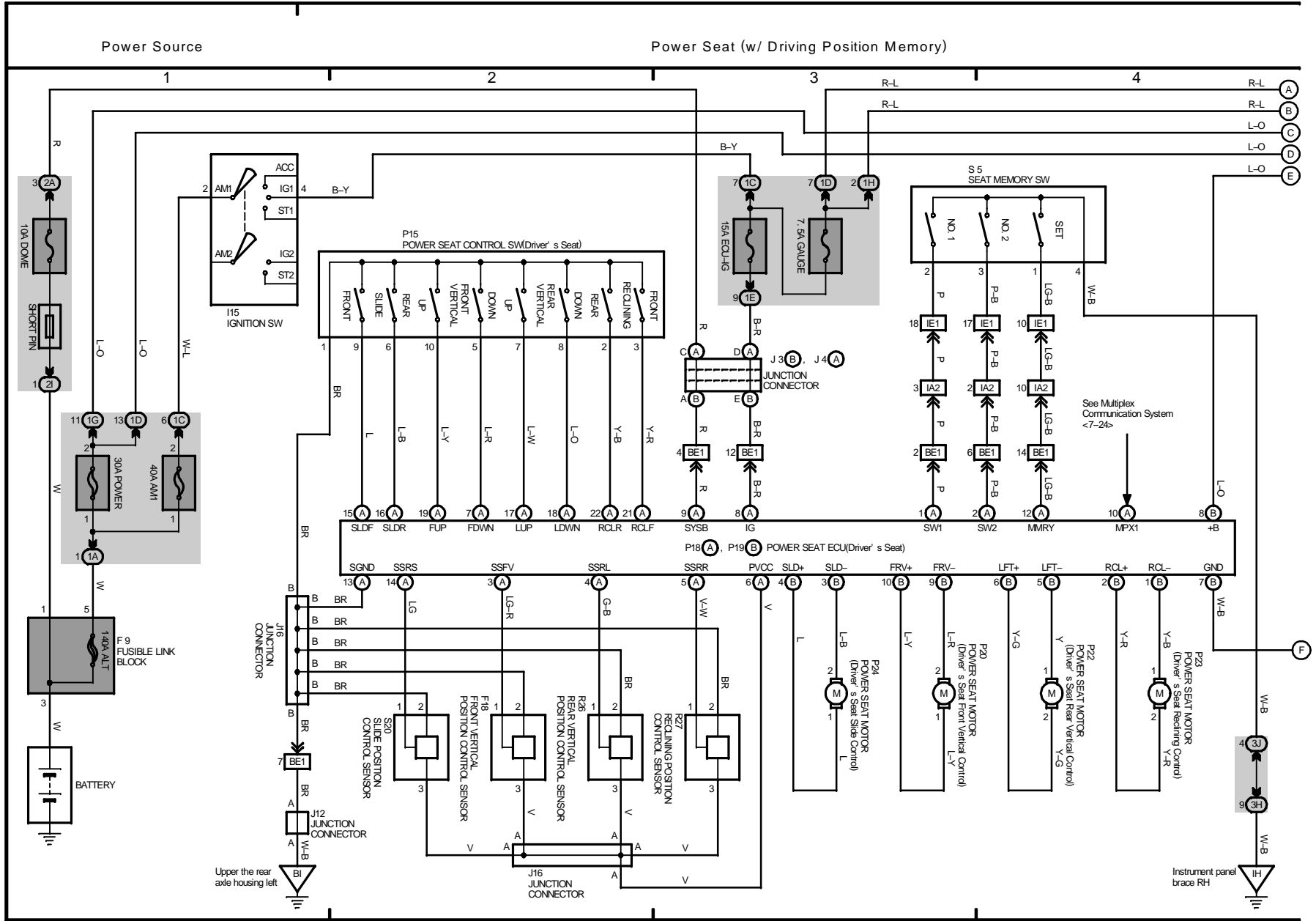
13 RX 300

2000 LEXUS RX 300 (EWD395U)





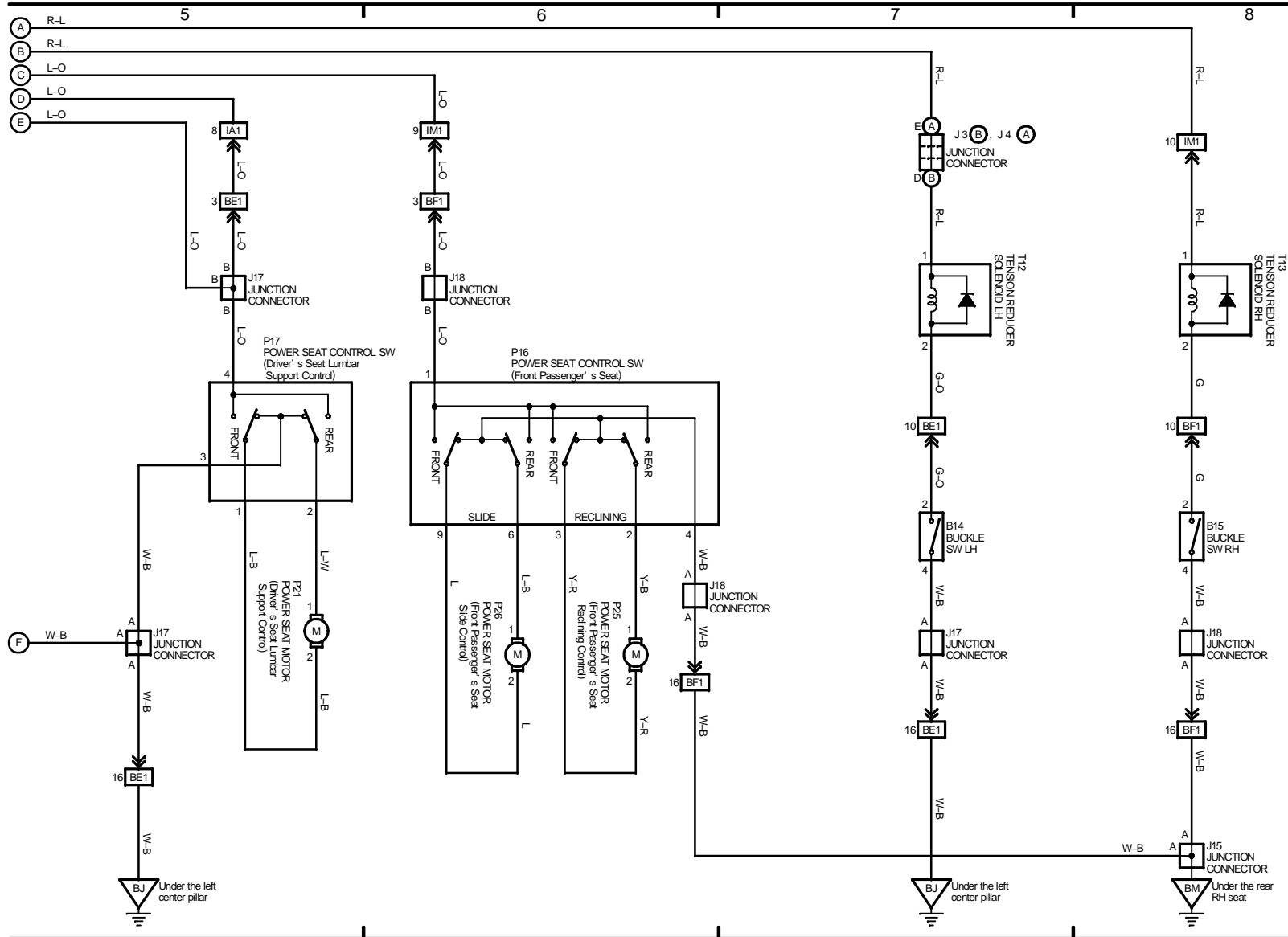
2000 LEXUS RX 300 (EWD395U)



OVERALL ELECTRICAL WIRING DIAGRAM

Power Seat (w/ Driving Position Memory)

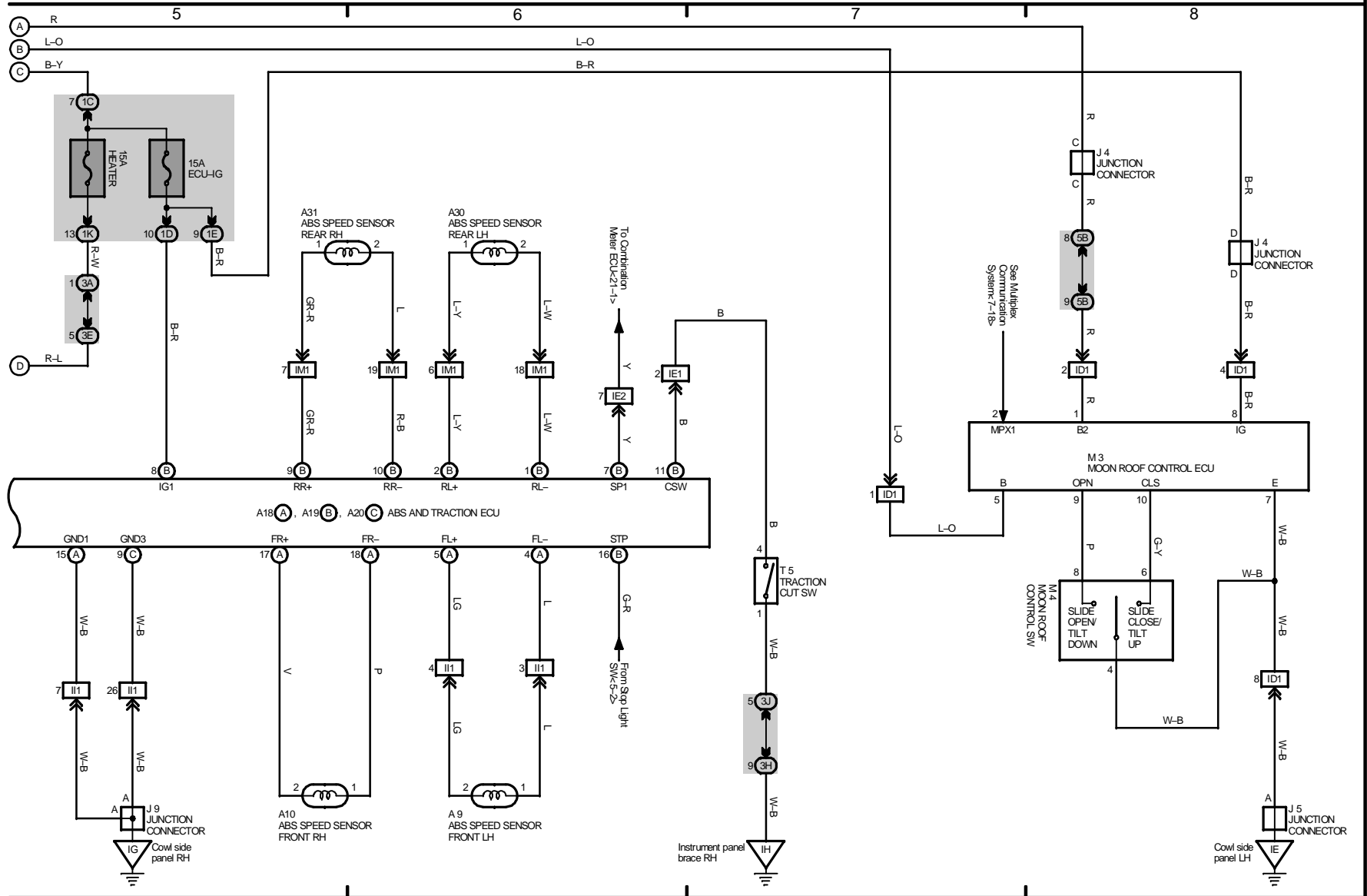
Electric Tension Reducer



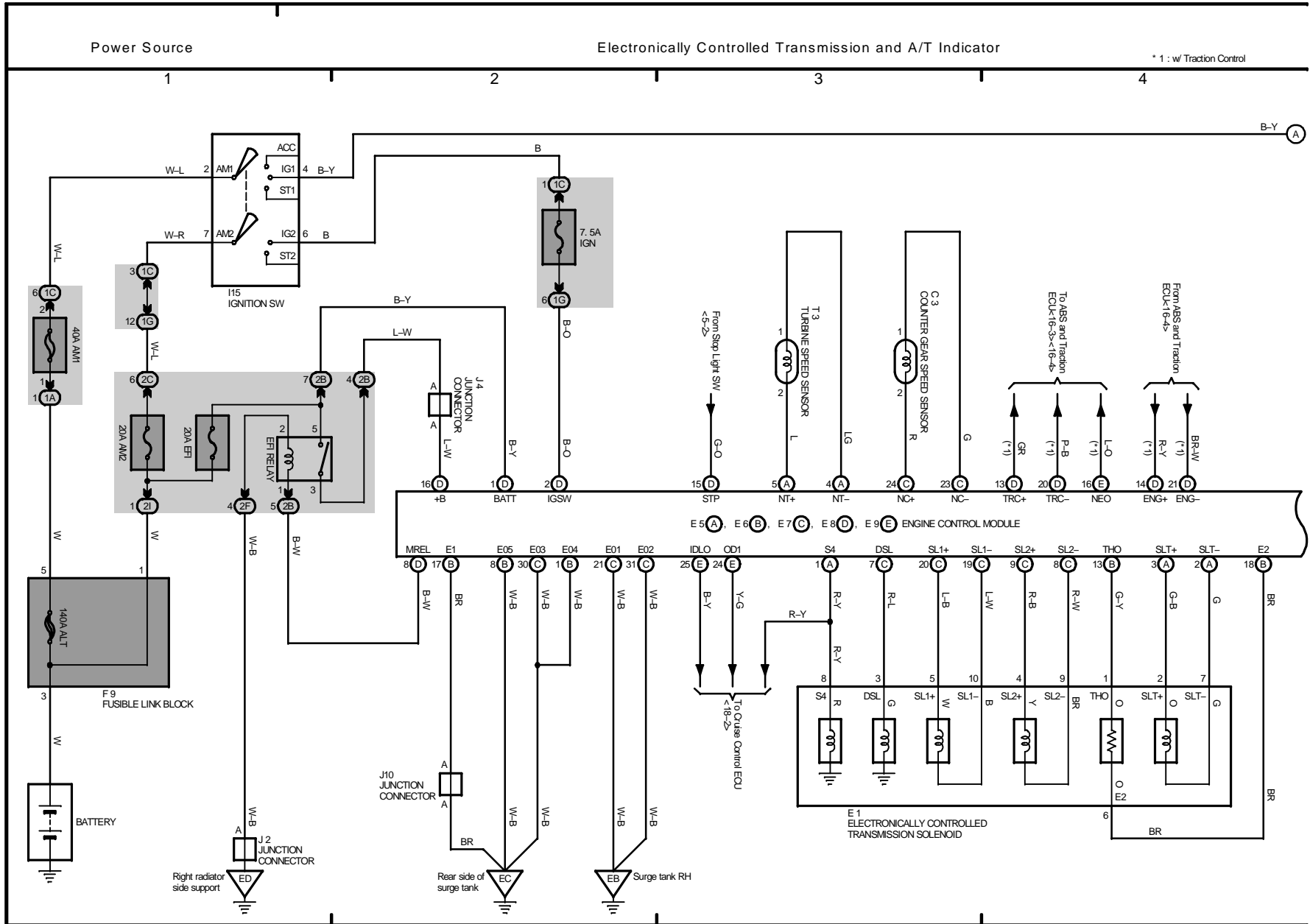
2000 LEXUS RX 300 (EWDP395U)

ABS and Traction Control

Moon Roof

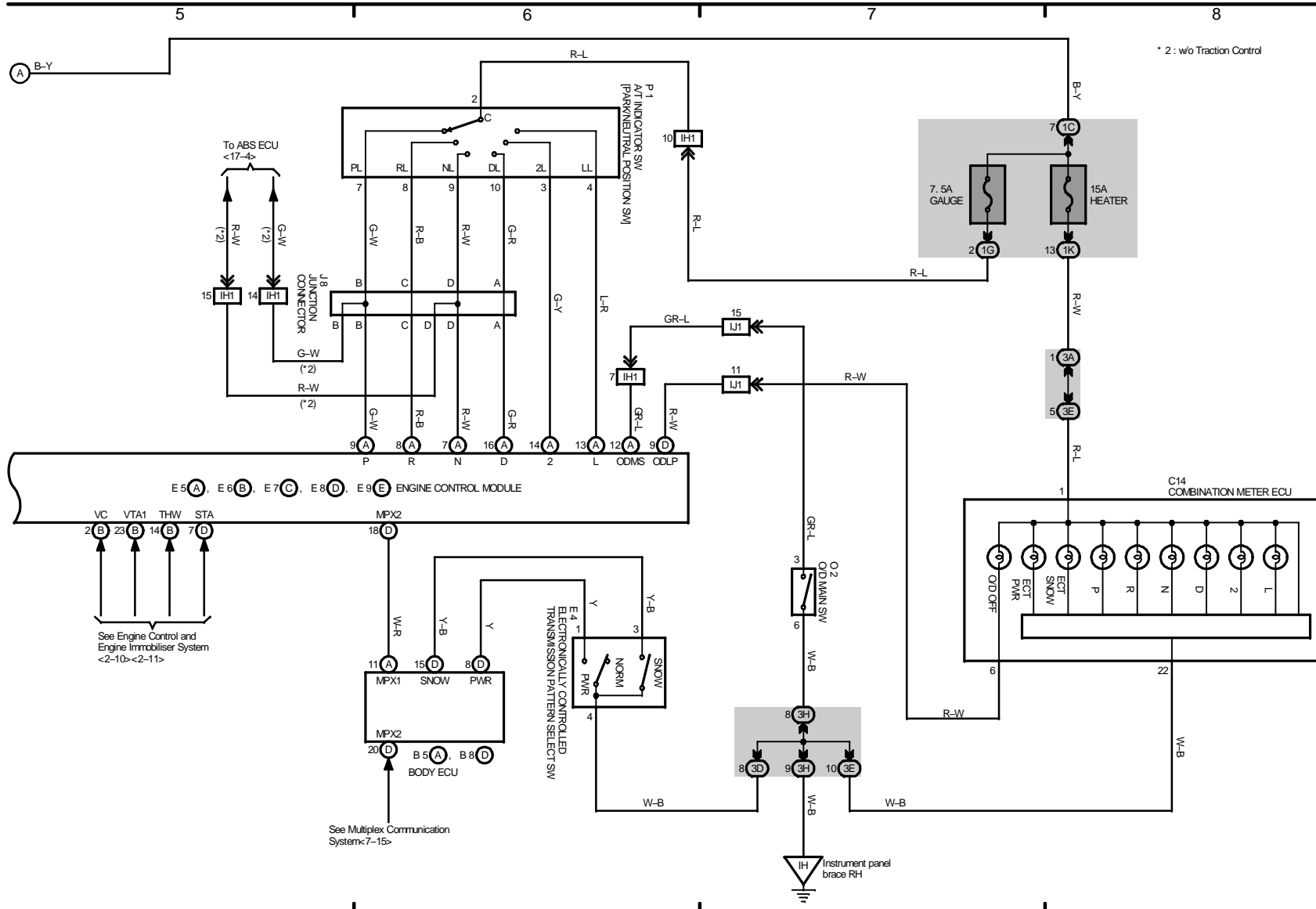


2000 LEXUS RX 300 (EWD395U)

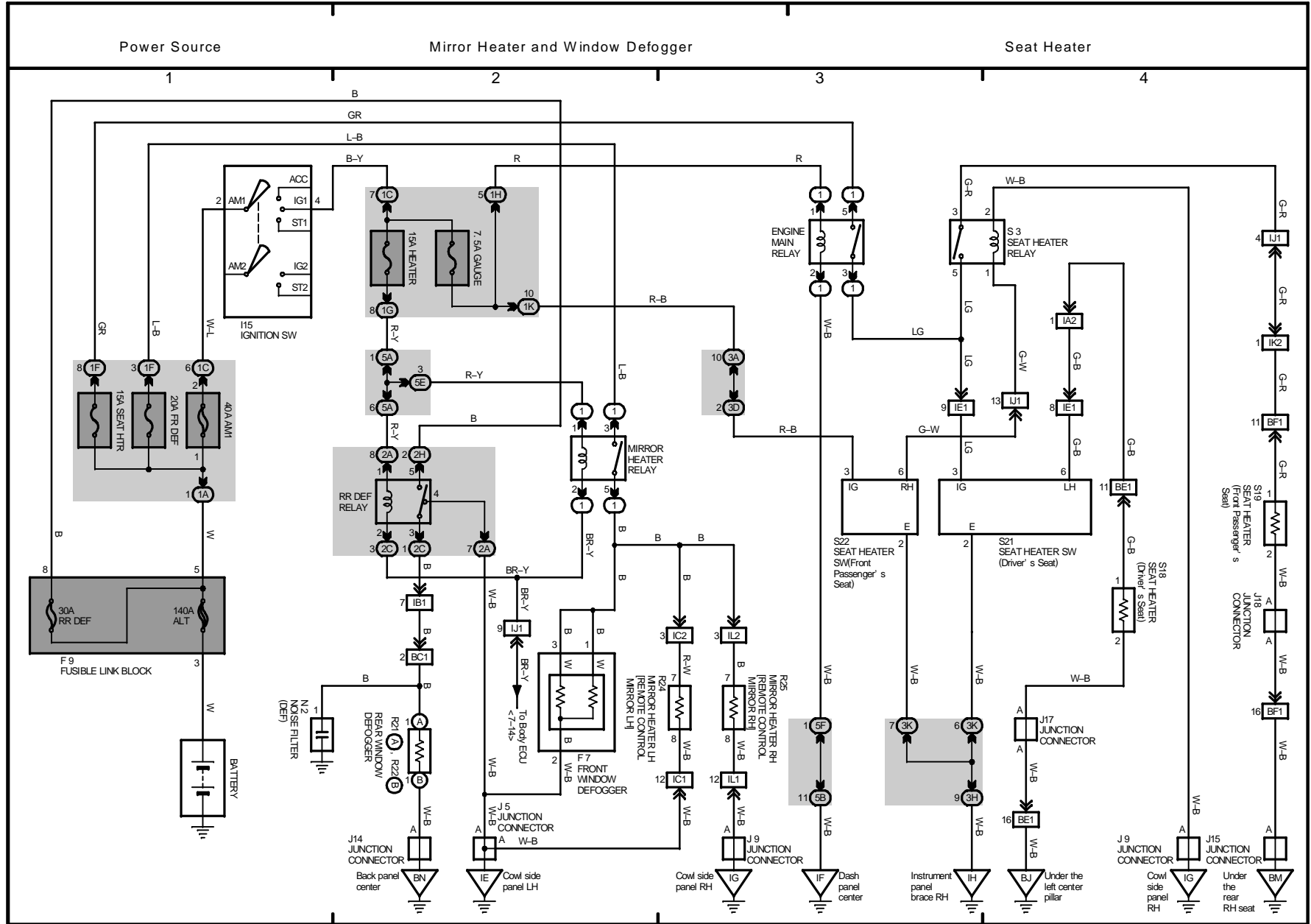


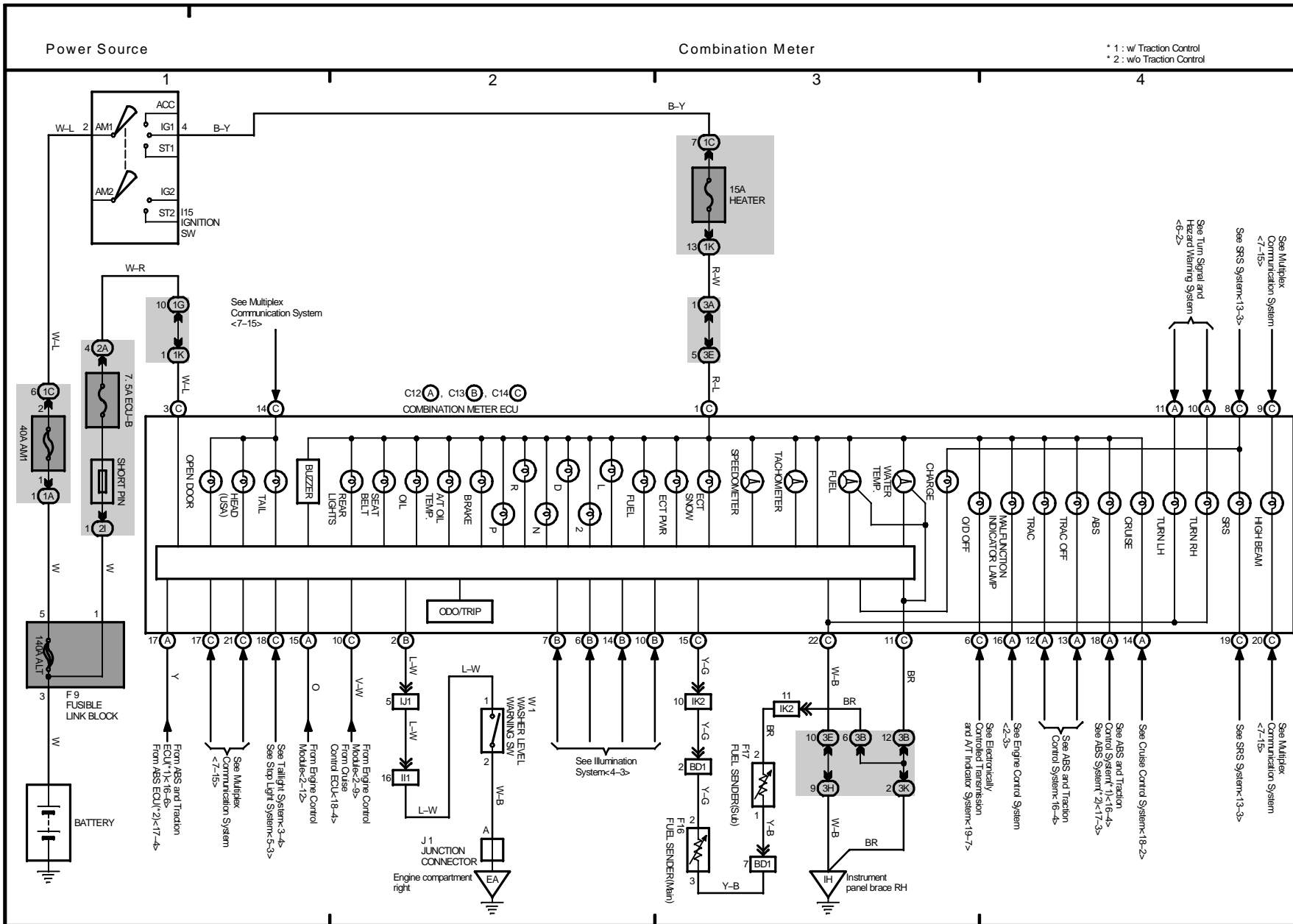
2000 LEXUS RX 300 (EWD395U)

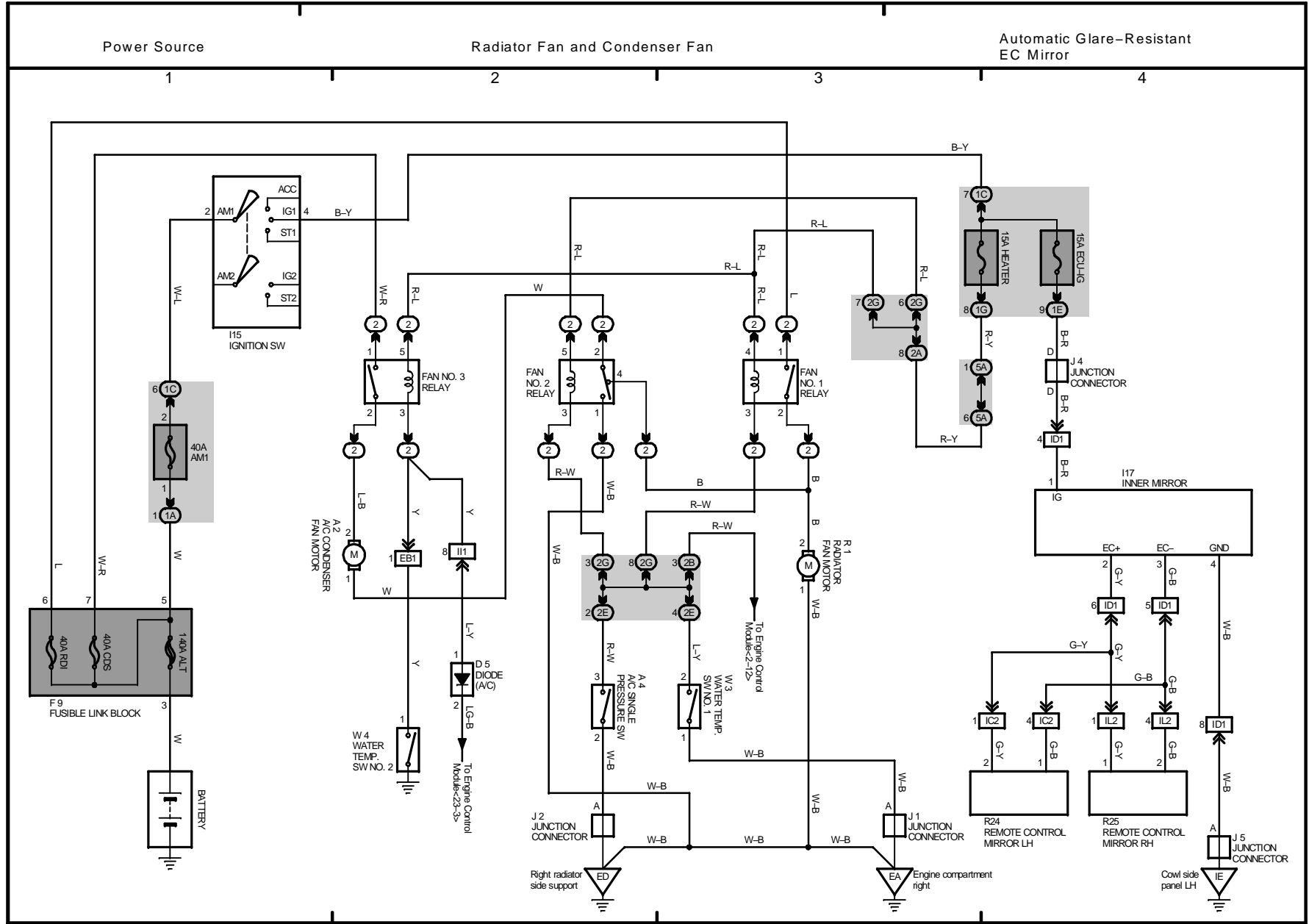
Electronically Controlled Transmission and A/T Indicator

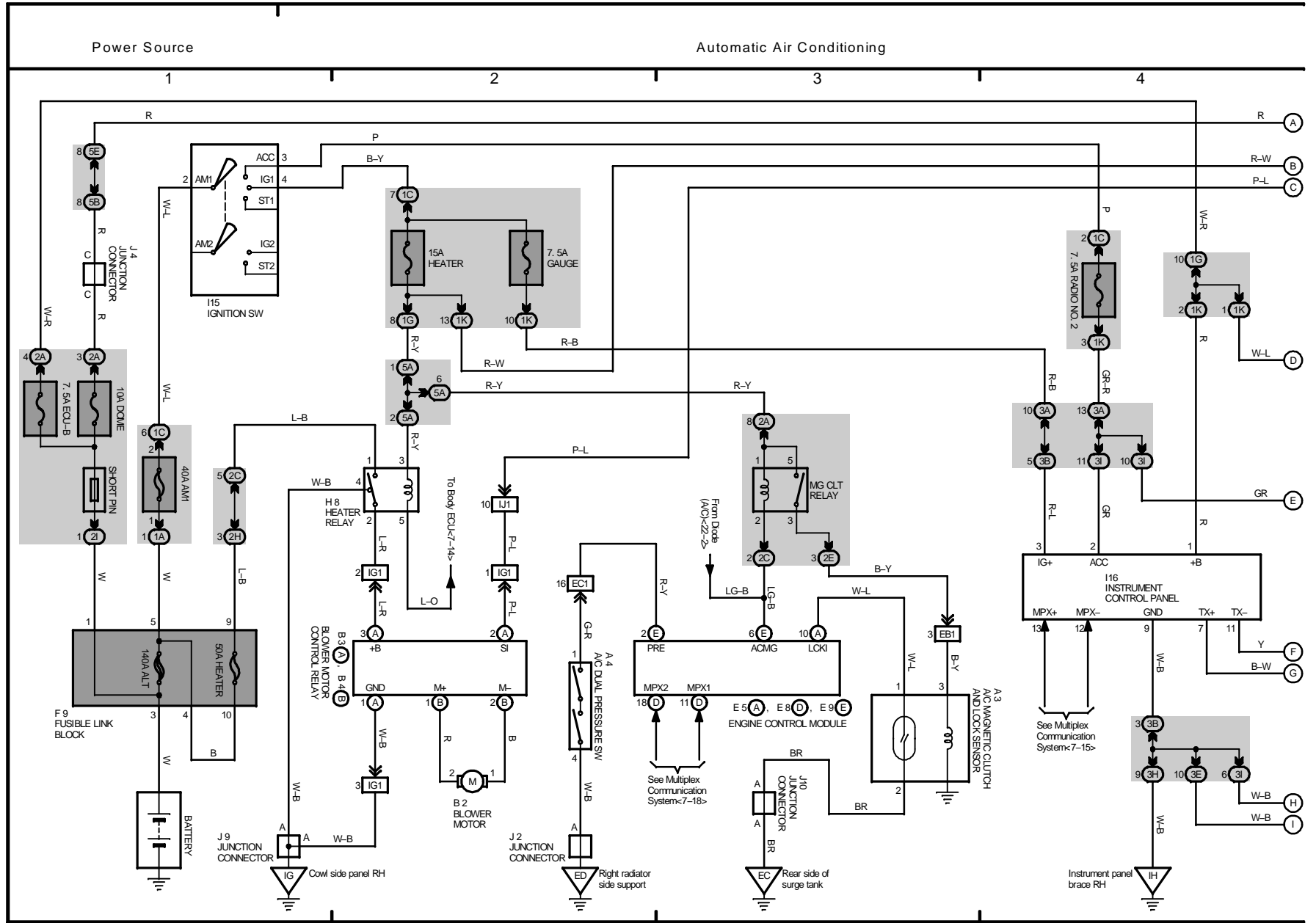


2000 LEXUS RX 300 (EWD395U)



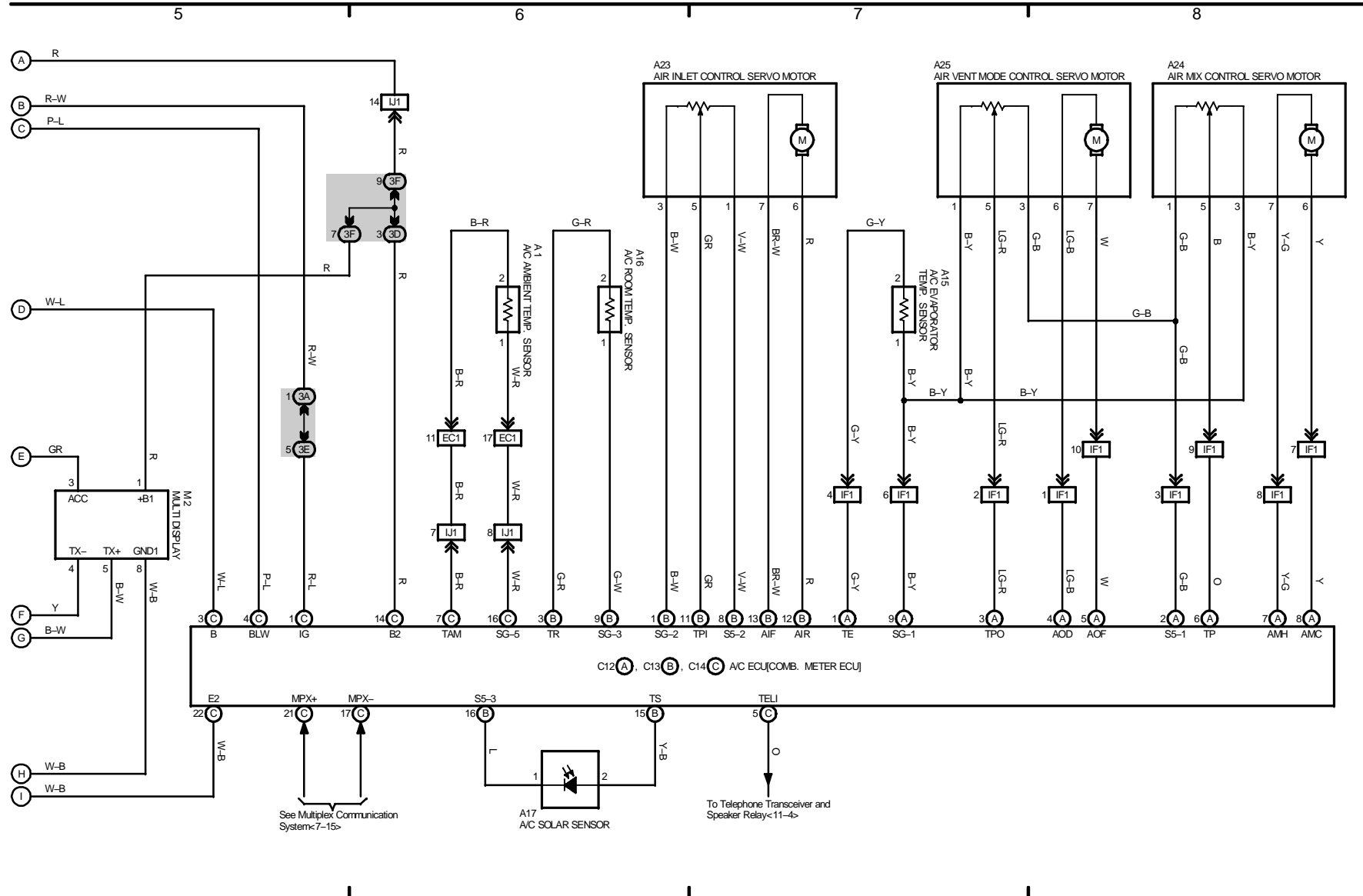






2000 LEXUS RX 300 (EWD395U)

Automatic Air Conditioning



2000 LEXUS RX 300 (EWD395U)