

TRAILERING WIRE HARNESS INSTALLATION MANUAL

Thank you for purchasing LEXUS's genuine TRAILERING WIRE HARNESS.

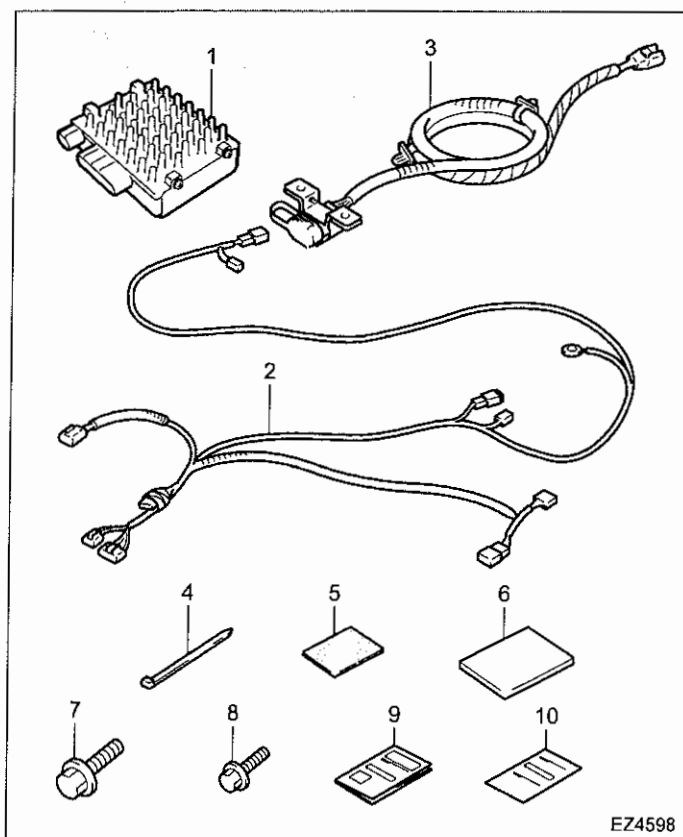
This manual explains the installation procedure for the TRAILERING WIRE HARNESS with the model number stated below.

Read it carefully before the installation of the product and be sure to hand the "Owner's Manual" to the customer.

PART No.

PART No.	VEHICLE	YEAR OF MANUFACTURE
08921-48051	RX300	2000.8~

PARTS



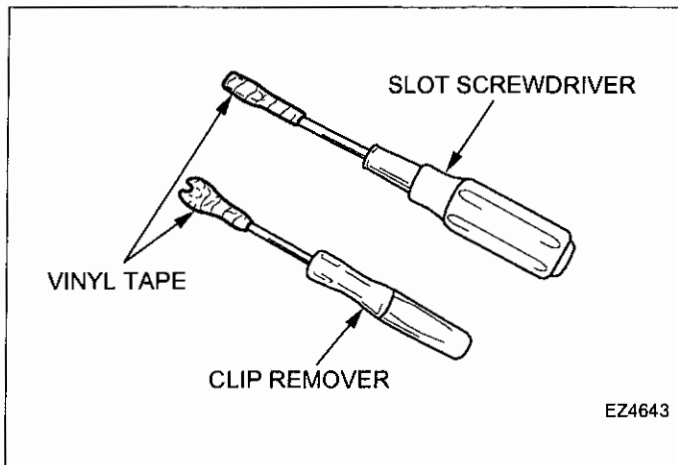
No.	Part Name	Qty
1	Converter (Tail type)	1
2	Wire harness	1
3	Sub wire harness	1
4	Plastic tie	9
5	Packing	9
6	Butyl tape	2
7	Ground bolt	1
8	Bolt	2
9	Installation manual	1
10	Owner's manual	1

DEFINITION OF TERMS

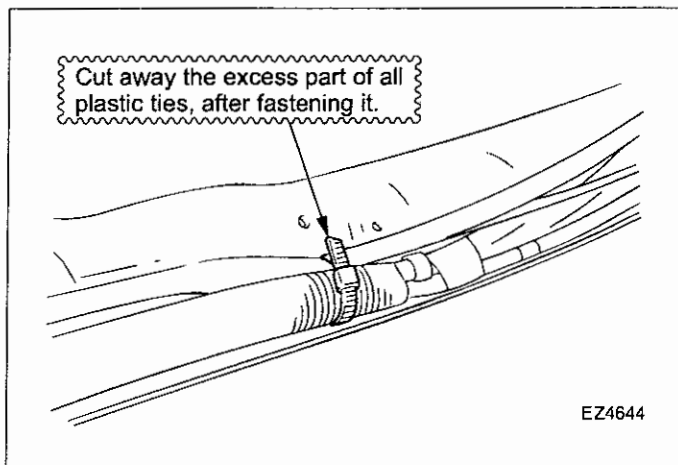
⚠ WARNING	Describes precautions that should be observed in order to prevent injury or death to the user during installation.
⚠ CAUTION	Describes precautions that should be observed in order to prevent damage to the vehicle or its components, which may occur during installation if insufficient care is taken.
NOTE	Provides additional information that facilitates installation work.
FRONT, REAR LEFT, RIGHT	Shows the direction when viewed from the driver's seat.

PRECAUTIONS FOR INSTALLATION

1. The contents given in "WARNING" and "CAUTION" in this manual must be adhered to during installation. If they are ignored, not only the functions of the trailering wire harness are hindered, but also personal injury or damage to the vehicle may result. Always carry out the installation in accordance with the "WARNING" and "CAUTION" as noted.
2. When the vehicle parts are removed, keep the tapping screws, bolts and nuts organized so that re-assembly will proceed correctly. Also be careful to protect the parts from scratches.
3. Do not remove vehicle parts except for those that are specified in this manual.



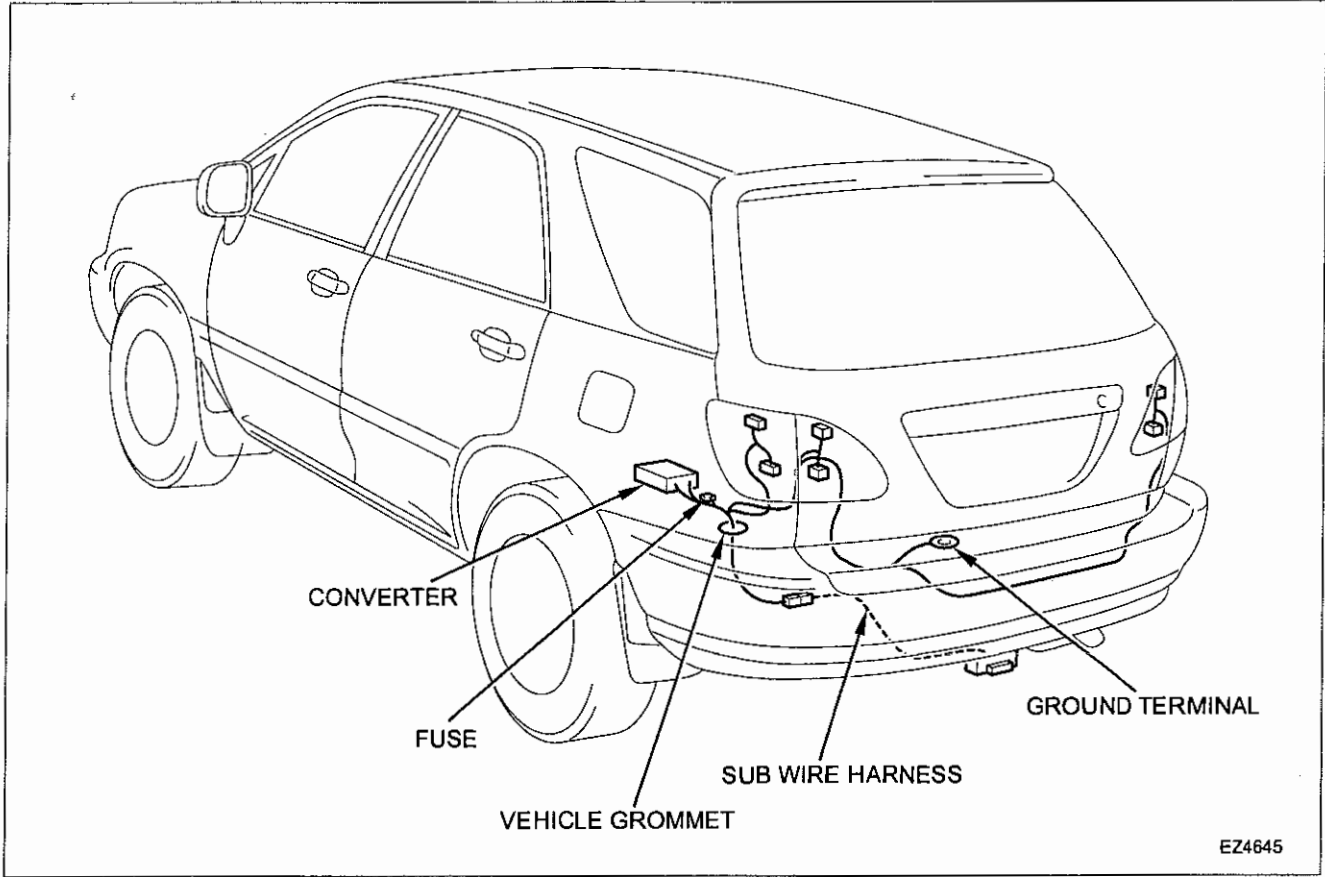
Take care not to scratch any part of the vehicle. Bind the tips of tools (clip remover, slot screwdriver etc.) with a piece of vinyl tape to prevent damage to parts of the vehicle.



NOTE

Cut away the excess part of all plastic ties, after fastening it.

INSTALLATION LAYOUT

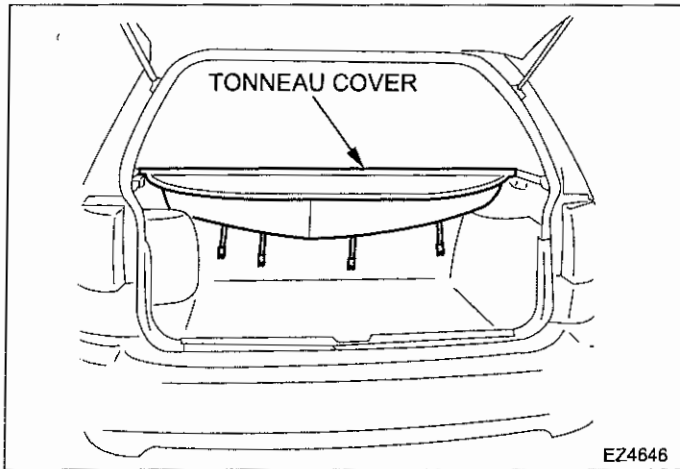


REQUIRED TOOLS FOR INSTALLATION

GENERAL TOOLS, WIRE CUTTERS, CLIP REMOVER

INSTALLATION

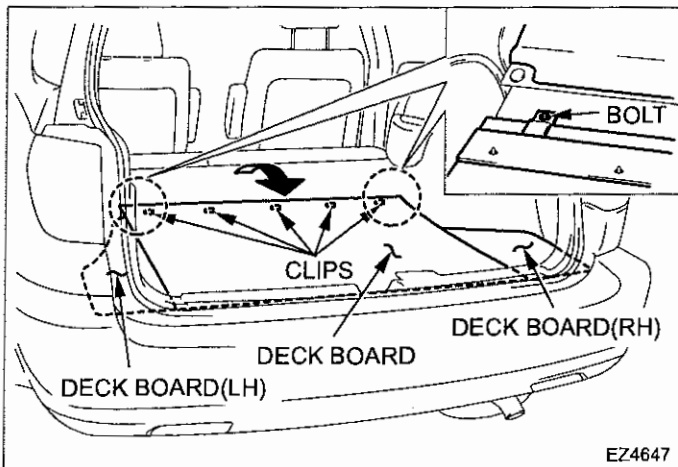
Before installation, remove the (-) terminal of battery.



1. REMOVAL OF VEHICLE PARTS

Remove the following vehicle parts.

(a) Tonneau cover

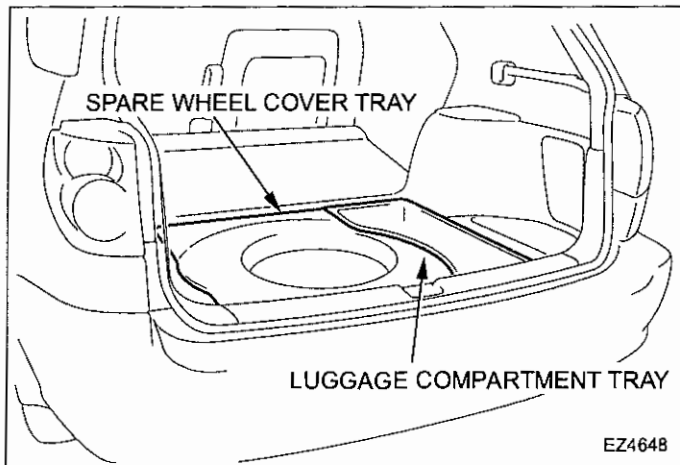


(b) Deck board

NOTE

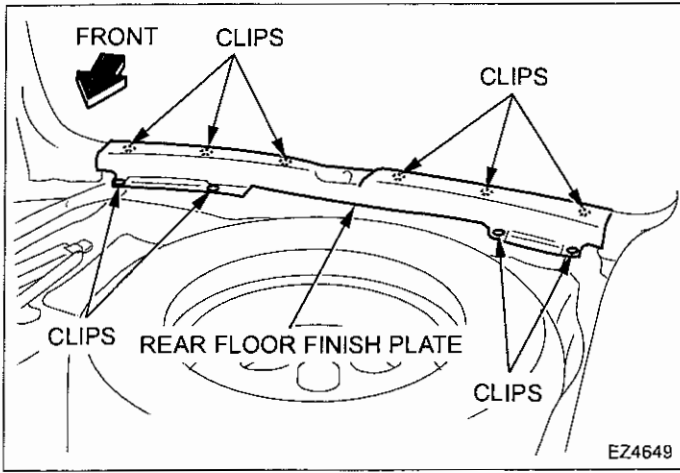
Remove five clips and then the bolt at the rear of deck board.

(c) Deck board (RH, LH)

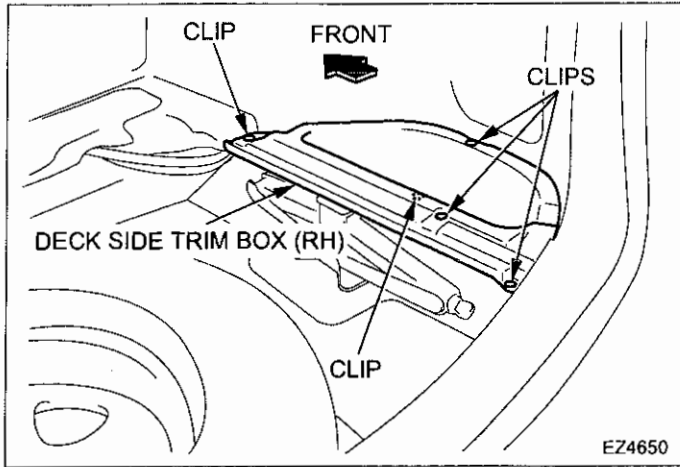


(d) Luggage compartment tray

(e) Spare wheel cover tray



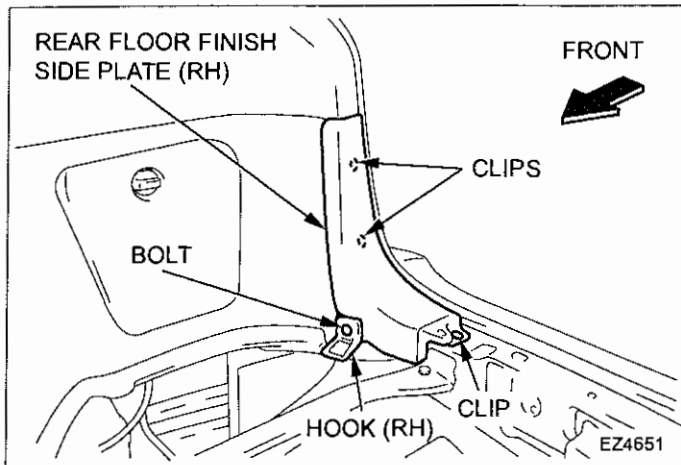
(f) Rear floor finish plate



(g) Deck side trim box (RH, LH)

NOTE

Perform the same work on the left side.



(h) Hook (RH, LH)

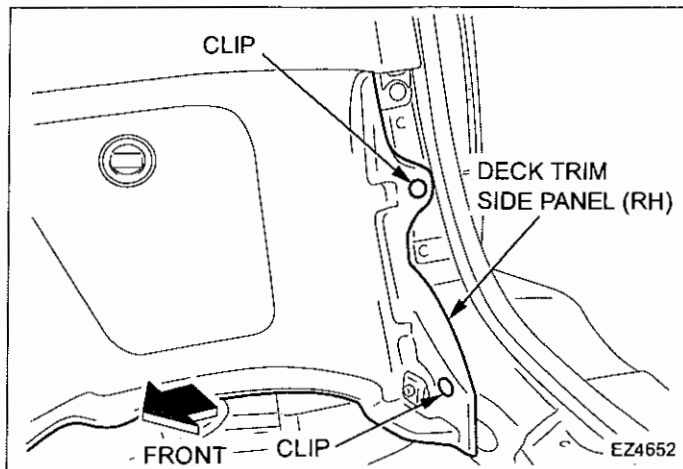
NOTE

Perform the same work on the left side.

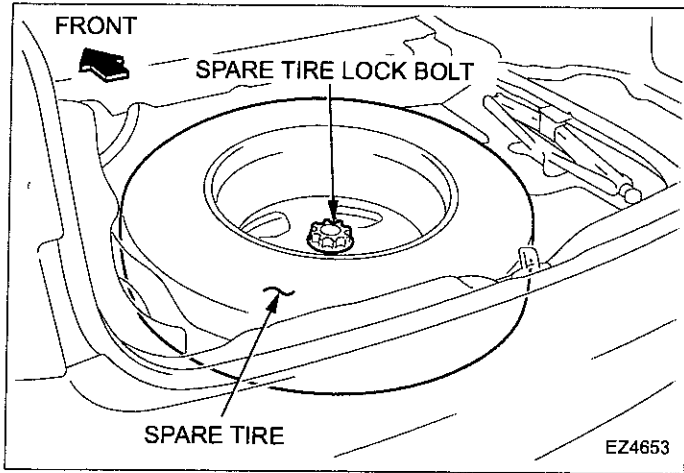
(i) Rear floor finish side plate (RH, LH)

NOTE

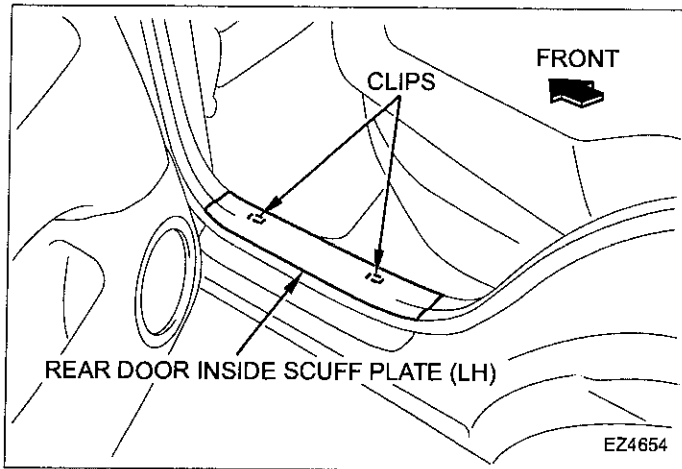
Perform the same work on the left side.



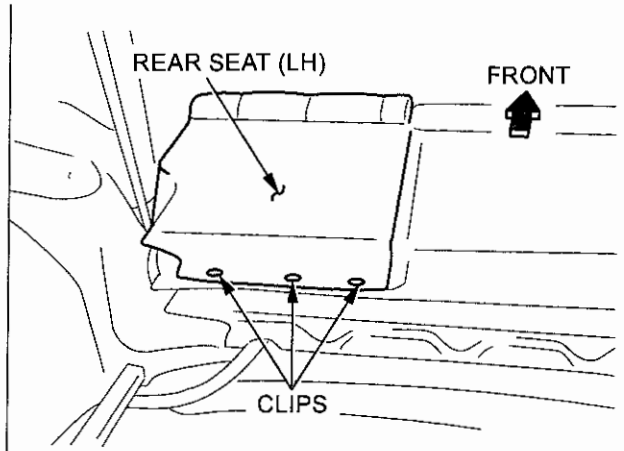
(j) Two clips (for deck trim side panel (RH))



- (k) Spare tire lock bolt
- (l) Spare tire



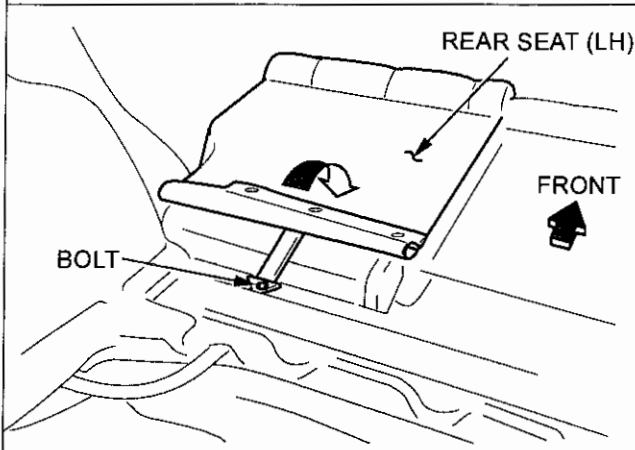
- (m) Rear door inside scuff plate (LH)



(n) Rear seat (LH)

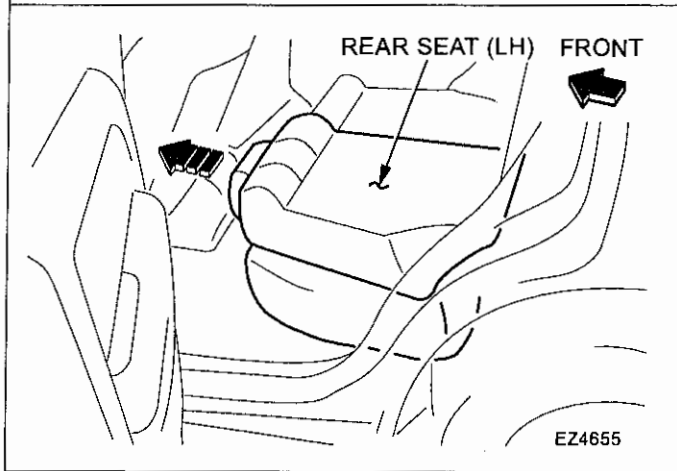
NOTE

Lay down the rear seat (LH) and remove three clips.



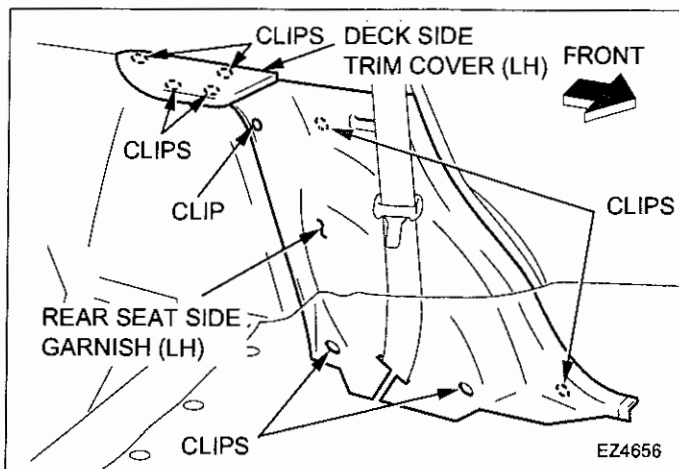
NOTE

Turn over the cover at the back of rear seat (LH) and remove one bolt.



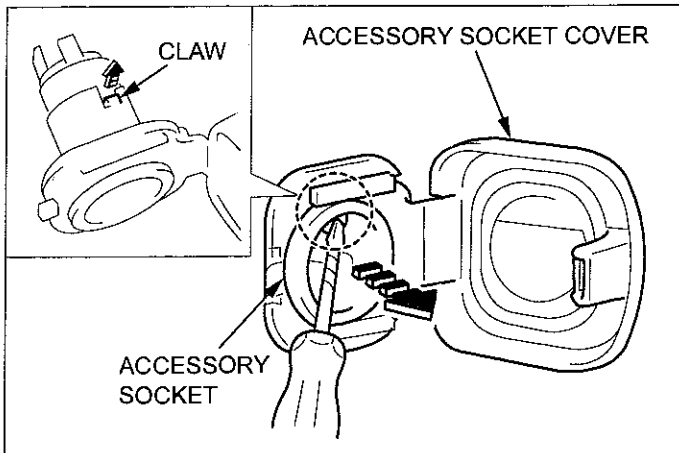
NOTE

Pull the rear seat (LH) toward the vehicle front.



(o) Deck side trim cover (LH)

(p) Rear seat side garnish (LH)

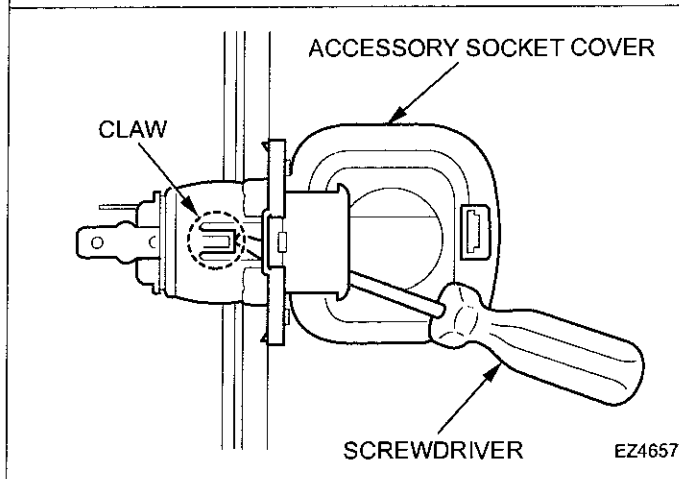


(q) Accessory socket cover

(r) Accessory socket

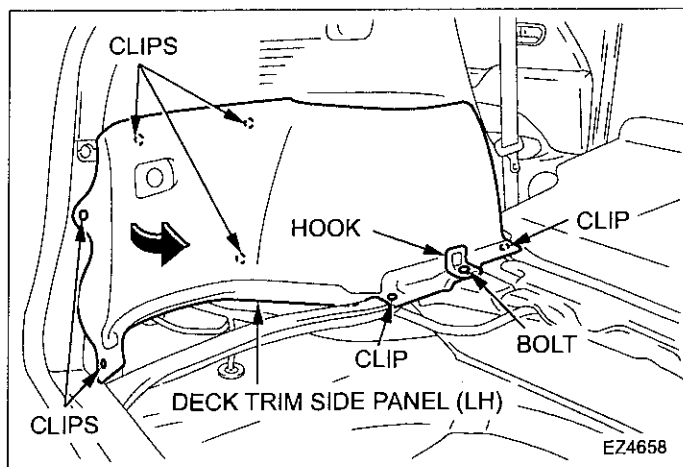
NOTE

Using a screwdriver, disengage the claws on the accessory socket cover from the hole in the accessory socket, then pull out the accessory socket approx. 10mm.



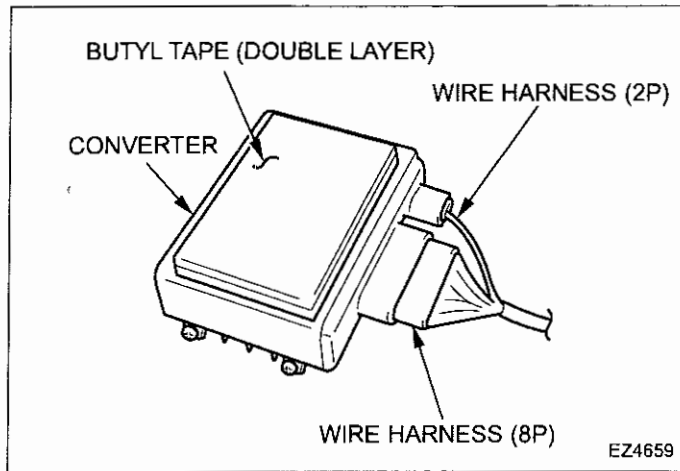
NOTE

Using a screwdriver, disengage the claws (two place) on the accessory socket cover from the body and remove the accessory socket and cover as a unit.



(s) Hook

(t) Deck trim side panel (LH)
(Lift slightly)



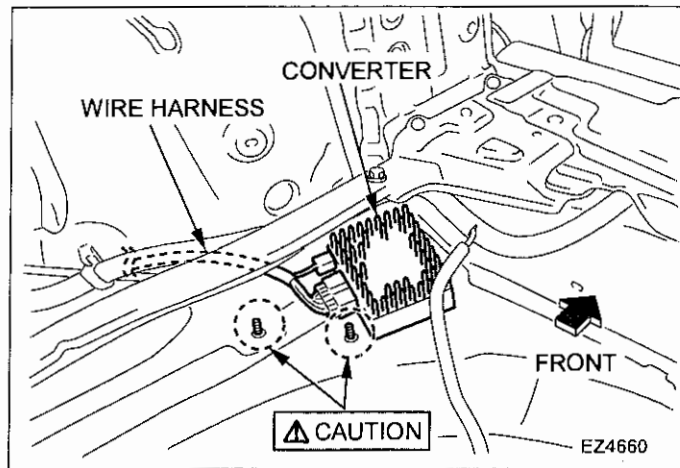
2. INSTALLING THE CONVERTER

- (a) Attach butyl tape to the converter as shown in the figure on the left.

NOTE

Attach 2 strips of butyl tape (double layer).

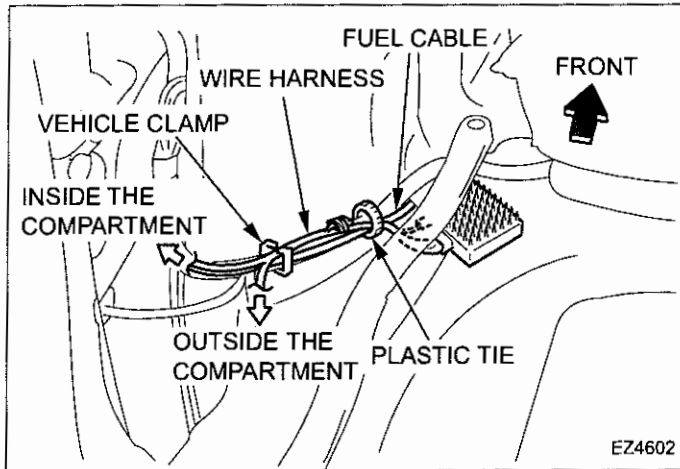
- (b) Connect the wire harness (8P) and (2P) to the converter.



- (c) Install the converter to the position indicated in the figure on the left.

CAUTION

- Remove dirt, dust, oil stain from the converter installation position.
- Install the converter in the correct direction.
- Fasten the converter not to contact with the spare tire, when fastening it.
- Ensure that the wire harness is not interfered the existing stud bolts when wiring.

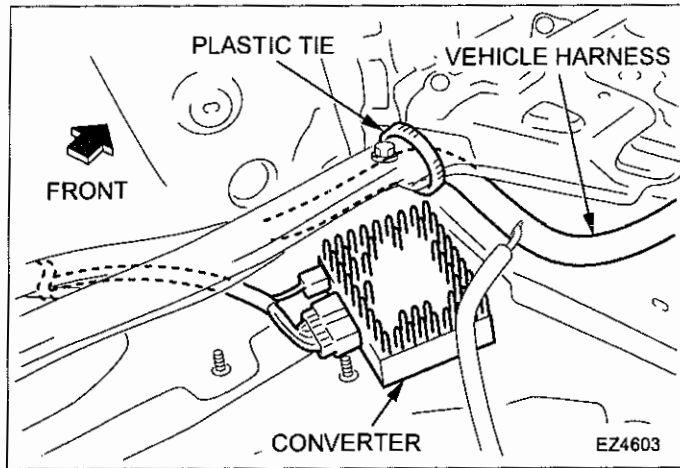


3. ROUTING THE WIRE HARNESS

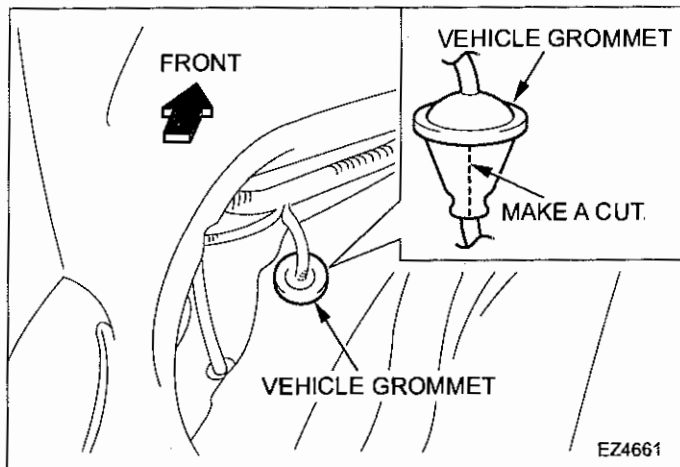
- (a) Route the wire harness along the vehicle harness in the vehicle clamp and fasten with a plastic tie.

NOTE

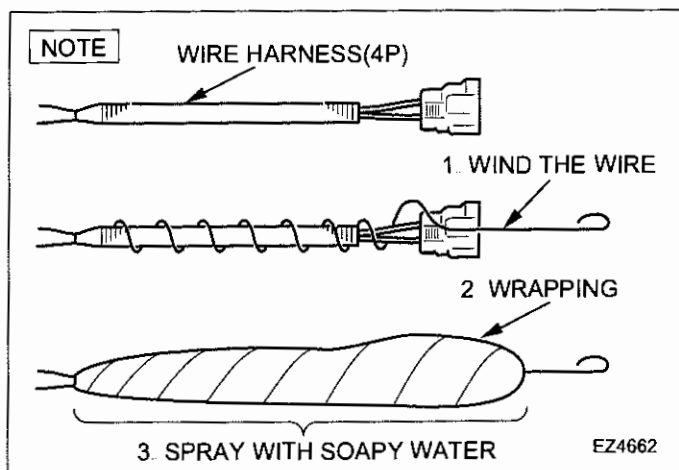
Fasten the wire harness and fuel cable together with a plastic tie.



- (b) Fix the vehicle harness with the plastic tie to secure the converter is not interfered

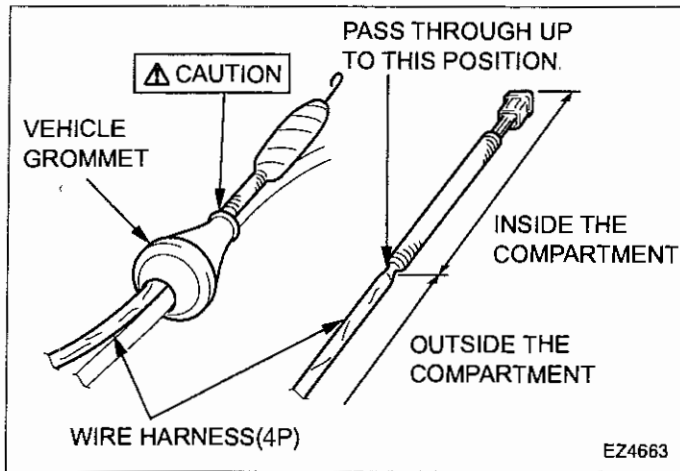


- (c) Remove the vehicle grommet and cut as shown in the figure on the left.



NOTE

1. Wind the wire around the wire harness (4P) as shown in the figure on the left.
2. Wrap the vinyl tape on the cut.
3. Spray diluted soapy water to the area of the wire harness (4P) as shown in the figure on the left.



- (d) Pass the wire harness (4P) through the space between the vehicle grommet and vehicle harness and route into the compartment.

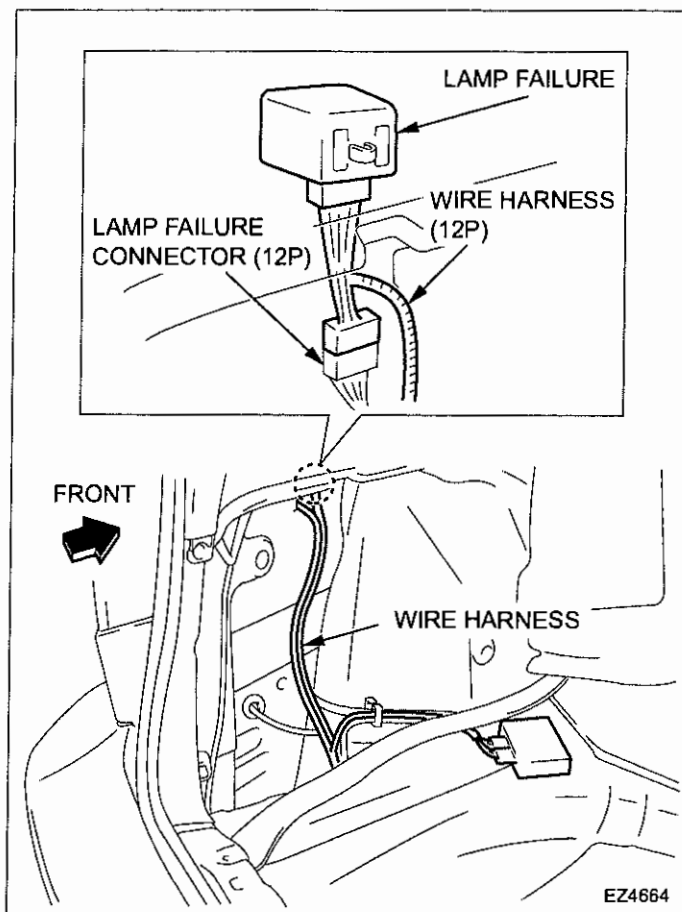
NOTE

After routing the wire harness (4P), wipe off the remaining soapy water.

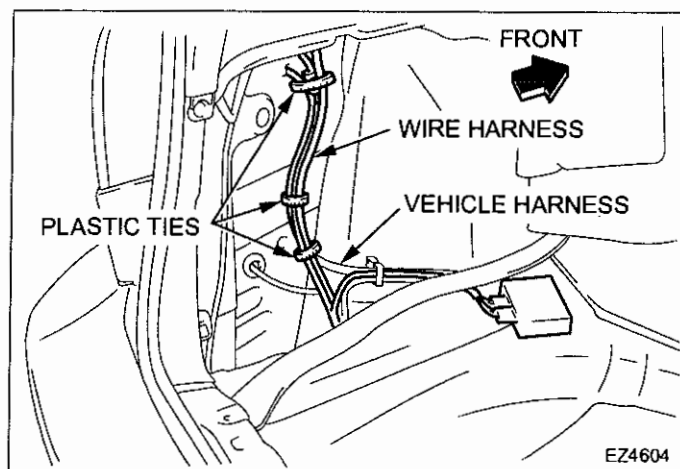
- (e) Remove the vinyl tape, wire from the wire harness (4P).

CAUTION

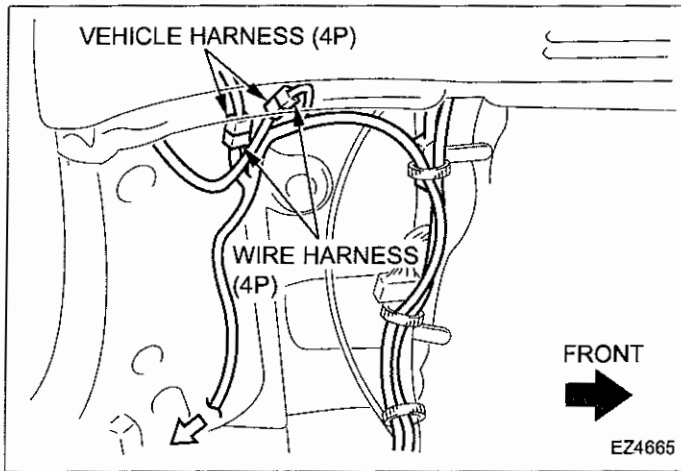
Attach butyl tape to prevent water from entering the compartment.



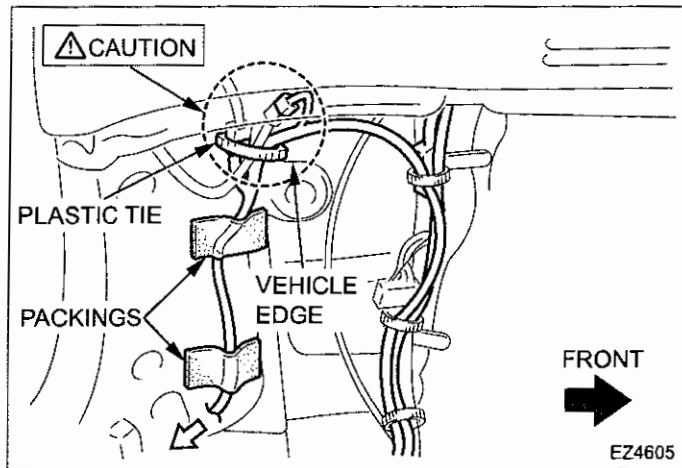
- (f) Route the wire harness along the vehicle harness as shown in the figure on the left. Branch the wire harness (12P) to the lamp failure connector (12P).



- (g) Fasten the wire harness along the vehicle harness with a plastic tie as shown in the figure on the left.



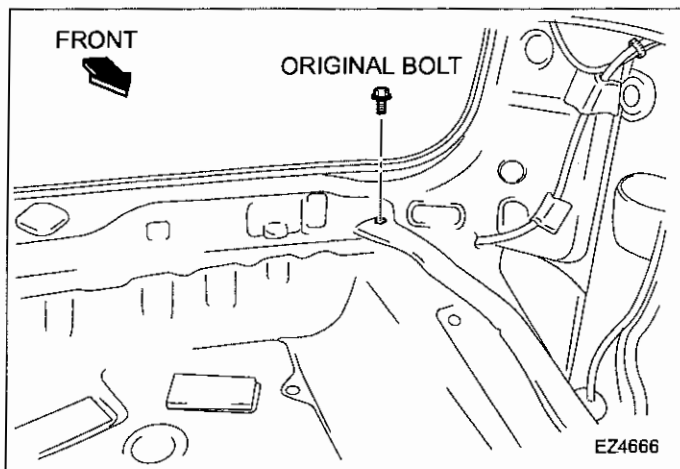
(h) Route the wire harness along the vehicle harness as shown in the figure on the left and branch the wire harness (4P) to the vehicle harness (4P).



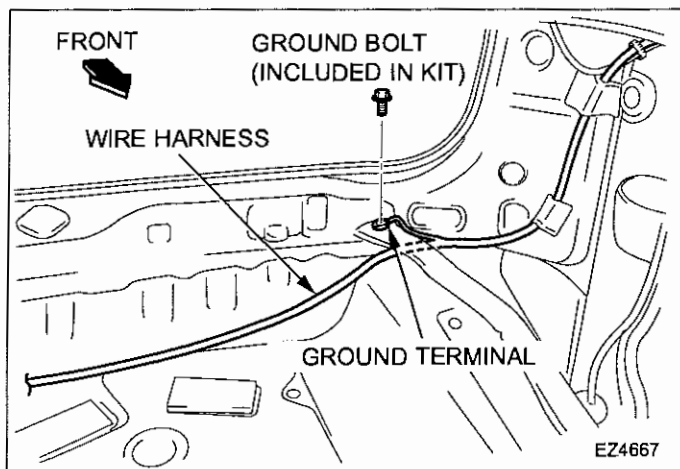
(i) Fasten the wire harness along the vehicle harness with a plastic tie and packings as shown in the figure on the left.

CAUTION

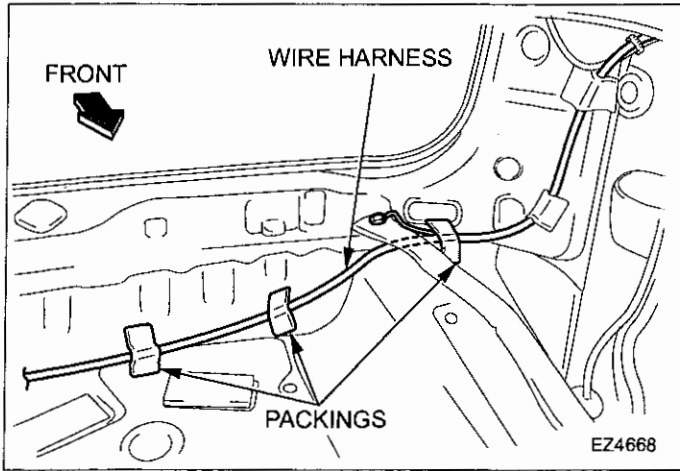
- Fasten so that the wire harness does not interfere with the vehicle edge.
- Remove dirt, dust, oil stain from the packing installation position.



(j) Remove and discard the original bolt in the figure on the left.



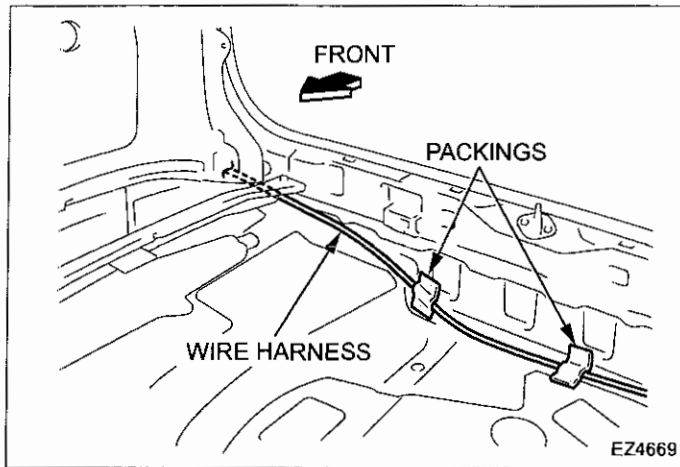
(k) Route the wire harness as shown in the figure on the left and fasten the ground terminal with the ground bolt (included in kit).



(l) Fasten the wire harness with packings as shown in the figure on the left.

CAUTION

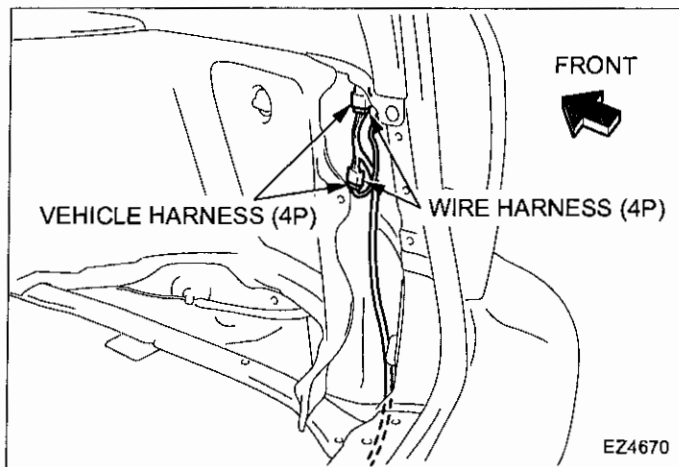
- Remove dirt, dust, oil stain from the packing installation position.
- Fasten the wire harness not to contact with the spare tire, when fastening it using a packing.



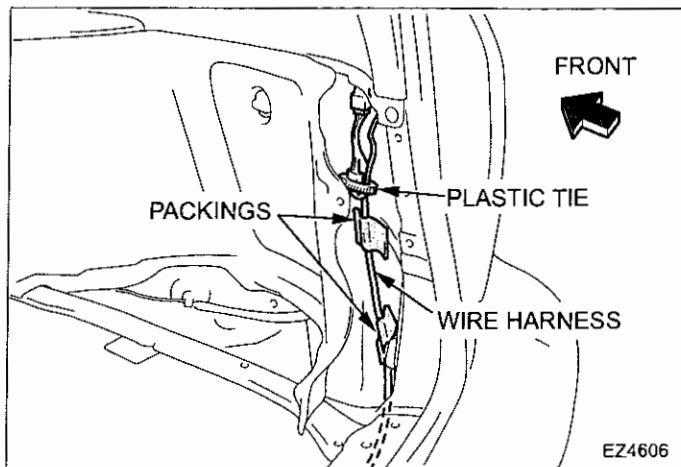
(m) Route the wire harness as shown in the figure on the left and fasten with packings.

CAUTION

- Remove dirt, dust, oil stain from the packing installation position.
- Fasten the wire harness not to contact with the spare tire, when fastening it using a packing.



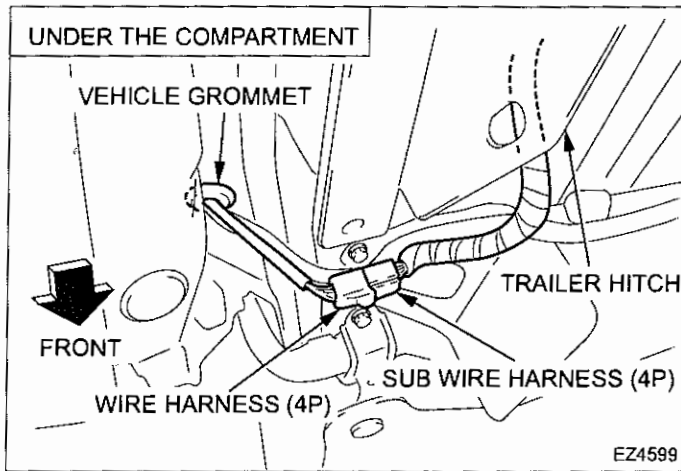
(n) Route the wire harness as shown in the figure on the left and branch the vehicle harness (4P) to the wire harness (4P).



(o) Route the wire harness as shown in the figure on the left and fasten with a plastic tie and packings.

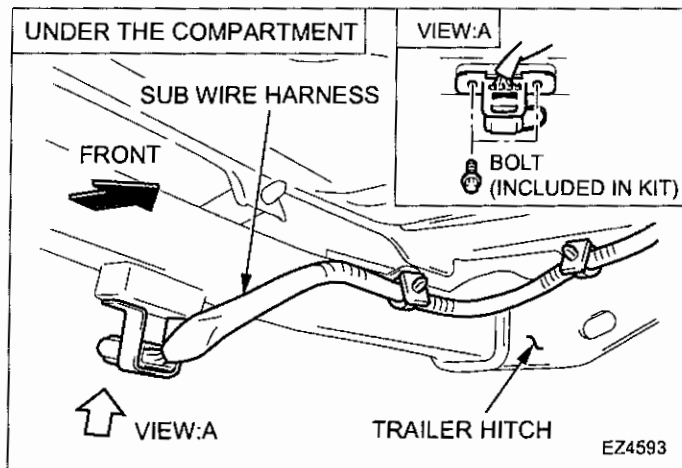
CAUTION

- Fasten so that the wire harness does not interfere with the vehicle edge.
- Remove dirt, dust, oil stain from the packing installation position.



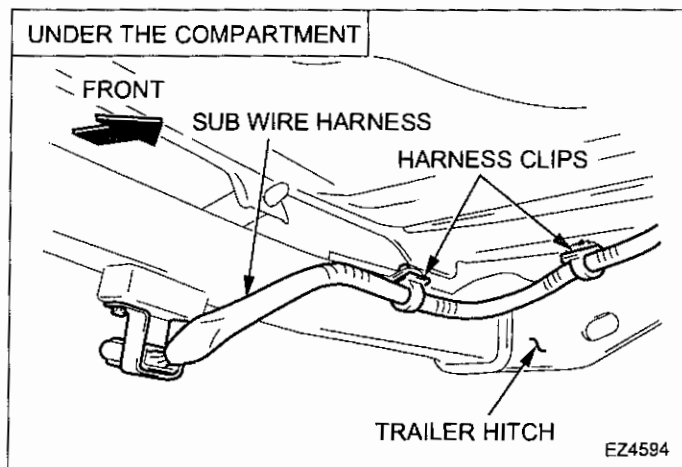
4. ROUTING THE SUB WIRE HARNESS

- (a) Connect the wire harness (4P) to the sub wire harness (4P).

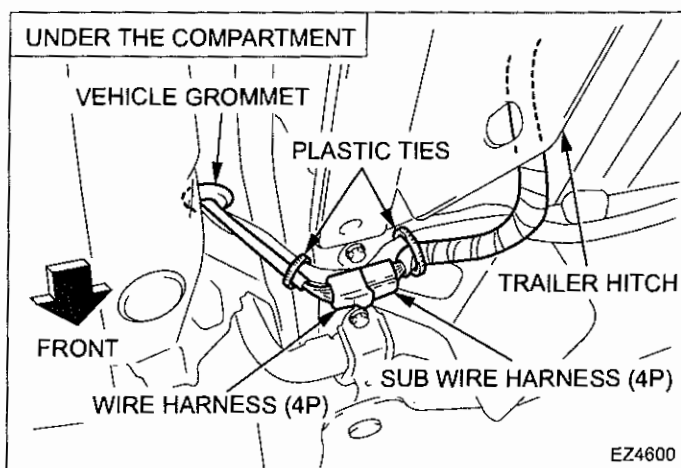


- (b) Route the sub wire harness as shown in the figure on the left and fasten with the bolt (included in kit).

Tightening Torque
3.9 N m (34 inch pound)



- (c) Fasten the sub wire harness to the trailer hitch tabs using the attached harness clips.



- (d) Fasten the wire harness and sub wire harness along the vehicle harness with plastic ties.

INSPECTION AFTER INSTALLATION

1. INSTALLATION CHECK

- (1) Check for faults in the wiring and installation.
- (2) Check for excessive pushing on the converter, stretching of the vehicle harness, and biting into the trailing wire harness. And check again for off-positioning of the clamp or band, and remember to tighten the parts

2. OPERATION CHECK

- (1) Install the "-" terminal of the battery. With the engine started, check if the trailing wire harness operates according to the operation manual.
- (2) After checking for faults of the starting lights of the tractor, perform the following check-ups.
- (3) The lights are available for both the turn signal lights and the stop lights of the trailer.

INSPECTION PROCEDURE	OPERATION CONFIRMATION INSTRUCTION	INSPECTION RESULT
(1)	<ol style="list-style-type: none"> 1) Connect the trailer and join the connectors. <u>Check for safety in moving or hooking up the tractor and trailer.</u> 2) Start the engine. <u>Ventilate the exhaust gas completely.</u> <u>Be careful that the vehicle does not move.</u> 	
(2)	<ol style="list-style-type: none"> 1) Turn on the tail lights with the light switch. (Turn on the light controlling system for operation confirmation by darkening the sensor by covering it with your hand.) 2) Check for lighting of the tail lights for the tractor and trailer. 	
(3)	<ol style="list-style-type: none"> 1) Step on the foot brake to light the stop lights. 2) Check for lighting of the stop lights of the tractor and trailer. 	
(4)	<ol style="list-style-type: none"> 1) Turn on the turn signal switch to the left or right to light the turn signal lights. 2) Check that the turn signal lights are flashing for the tractor and trailer. 	
(5)	<ol style="list-style-type: none"> 1) With the turn signal switch to the right, step on the foot brake. 2) Confirm that the lights of the trailer are working as follows. <ul style="list-style-type: none"> •The light for the right side should be flashing. •Turn on the stop light on the left side. 3) With the foot brake pressed, turn off the turn signal switch. 4) Check for lighting of the stop lights on both sides. (Depending on whether the lights are flashing, the light may be turned off for a while after the turn signal switch is turned off. This is not a fault.) 5) In the same way, check by turning the switch to the left side. 	
(6)	<ol style="list-style-type: none"> 1) Turn on the hazard light switch, and check that all the turn signal lights for the tractor and the trailer are flashing. 2) Step on the foot brake with the hazard light switch turned on. 3) Check that all the turn signal lights for the tractor and the trailer are flashing. 4) Next, turn off the hazard light switch while stepping on the foot brake. 5) Check that the stop lights are lit on both sides. (Depending on whether the lights are flashing, the light may be turned off for a while after the turn signal switch is turned off. This is not a fault.) 	

INSPECTION PROCEDURE	OPERATION CONFIRMATION INSTRUCTION	INSPECTION RESULT
(7)	1) Turn off the ignition switch and stop the engine. 2) Check with steps (2) and (3) above.	
(8)	1) Set to (4) and (1). (With the ignition switch set to "OFF"). 2) Check that the turn signal lights of the tractor and the trailer <u>do not flash</u> .	
(9)	1) Set to (5) and (1). (With the ignition switch set to "OFF"). 2) Check for lighting of the stop lights of the trailer <u>on both sides</u> . 3) Next, turn off the turn signal switch while stepping on the foot brake. 4) Check that the stop lights <u>are lighting</u> on both sides. 5) In the same way, check by turning the switch to the left.	
(10)	1) Check (6). (With the ignition switch set to "OFF").	

REINSTALLATION

After the operation checks, install the parts that were taken off to their original positions.

CAUTION

While reinstalling, be careful of biting into the vehicle harness and the trailering wire harness and damage to the parts.

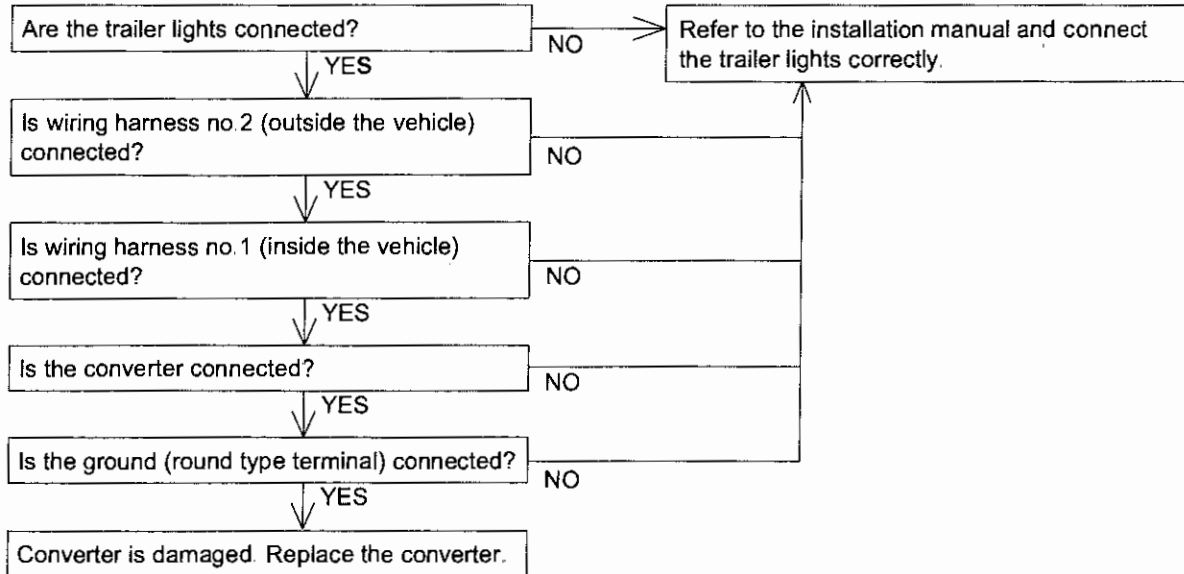
FINAL CHECK

1. Check for biting into the harness and faults in the installation of the parts.
2. Check for faults of the vehicle functions. In particular, the electrical system.

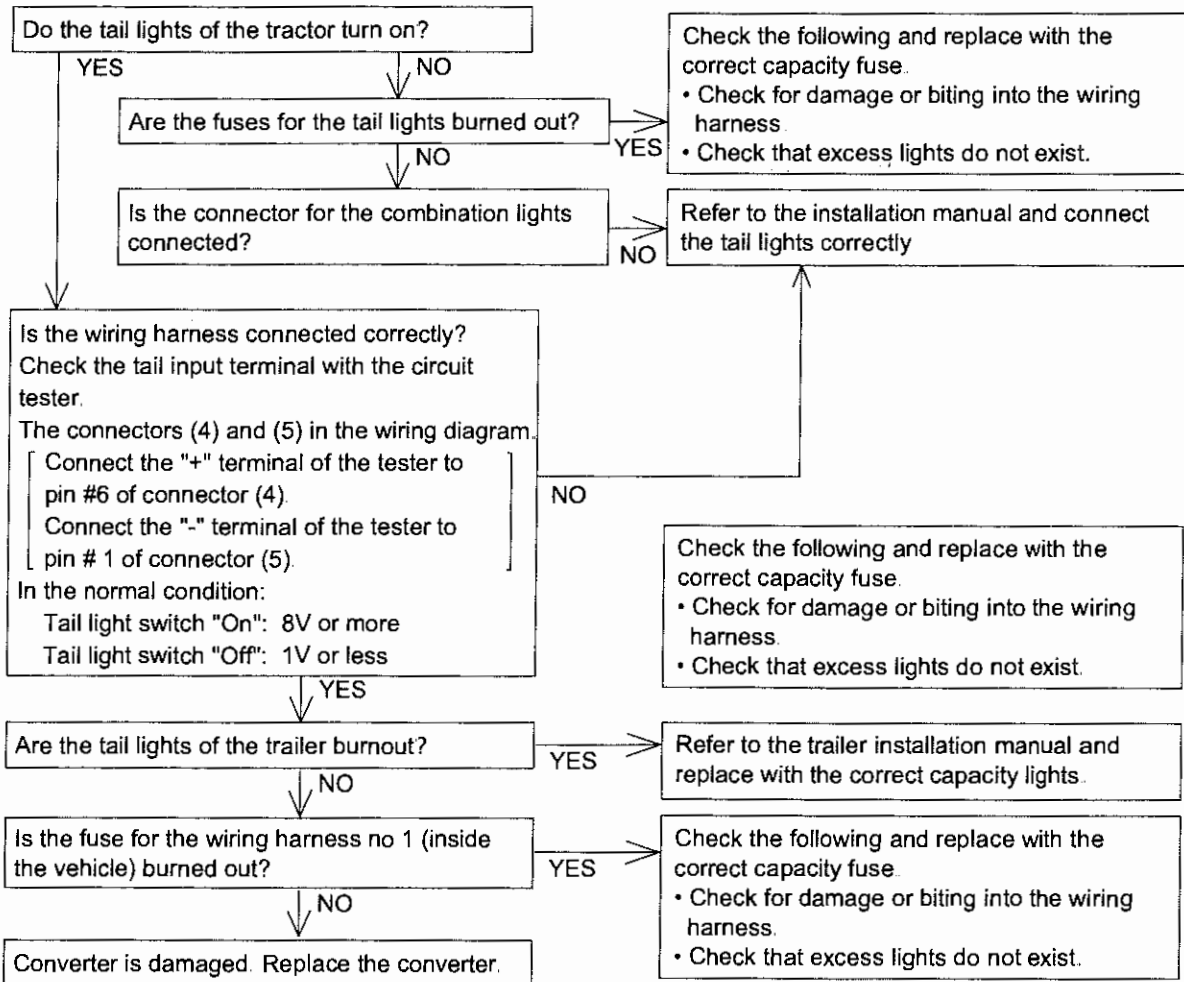
TROUBLESHOOTING

Check for faults again in the vehicle functions In particular the electrical system.

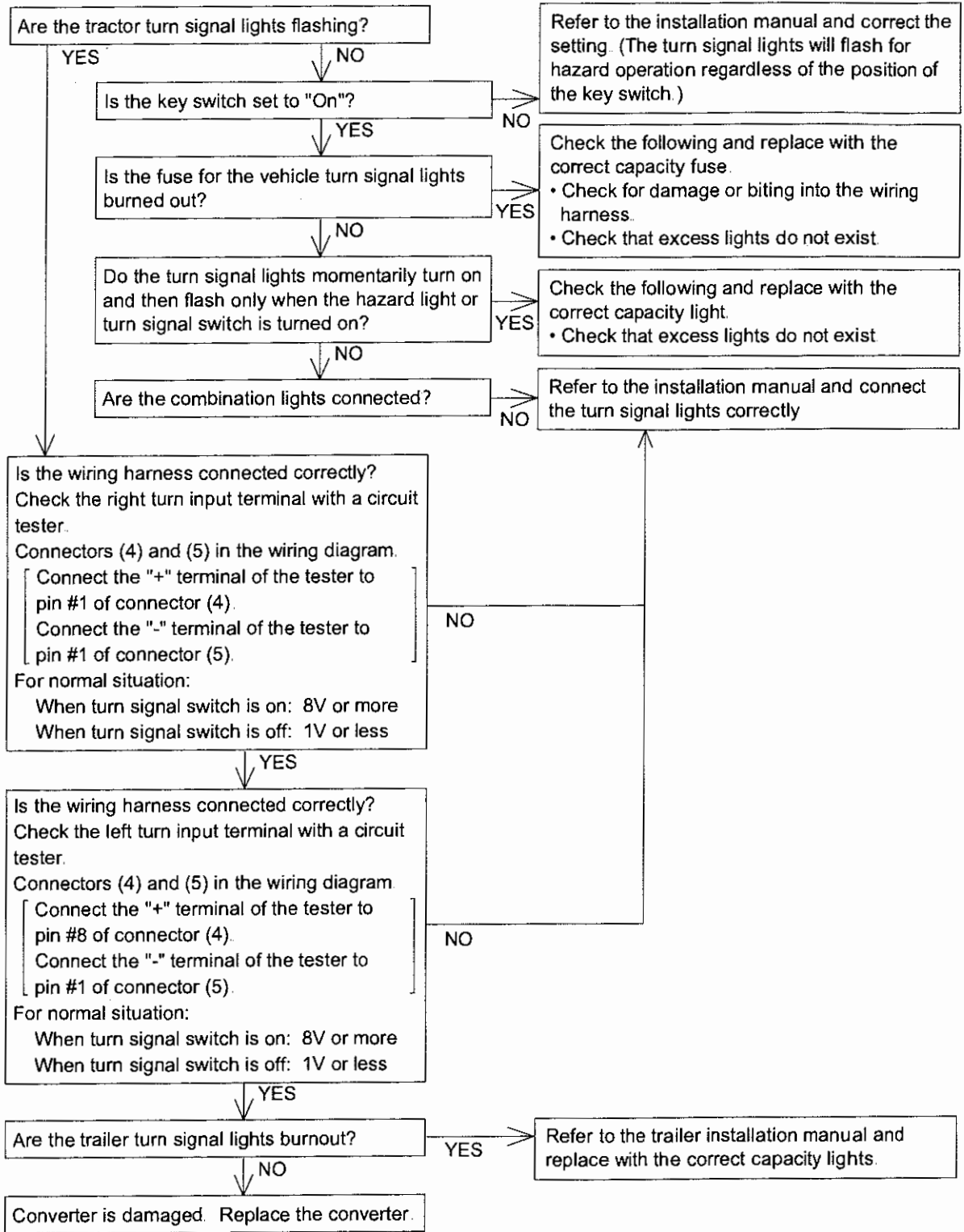
1 The trailer lights do not turn on.



2 The tail lights do not turn on.

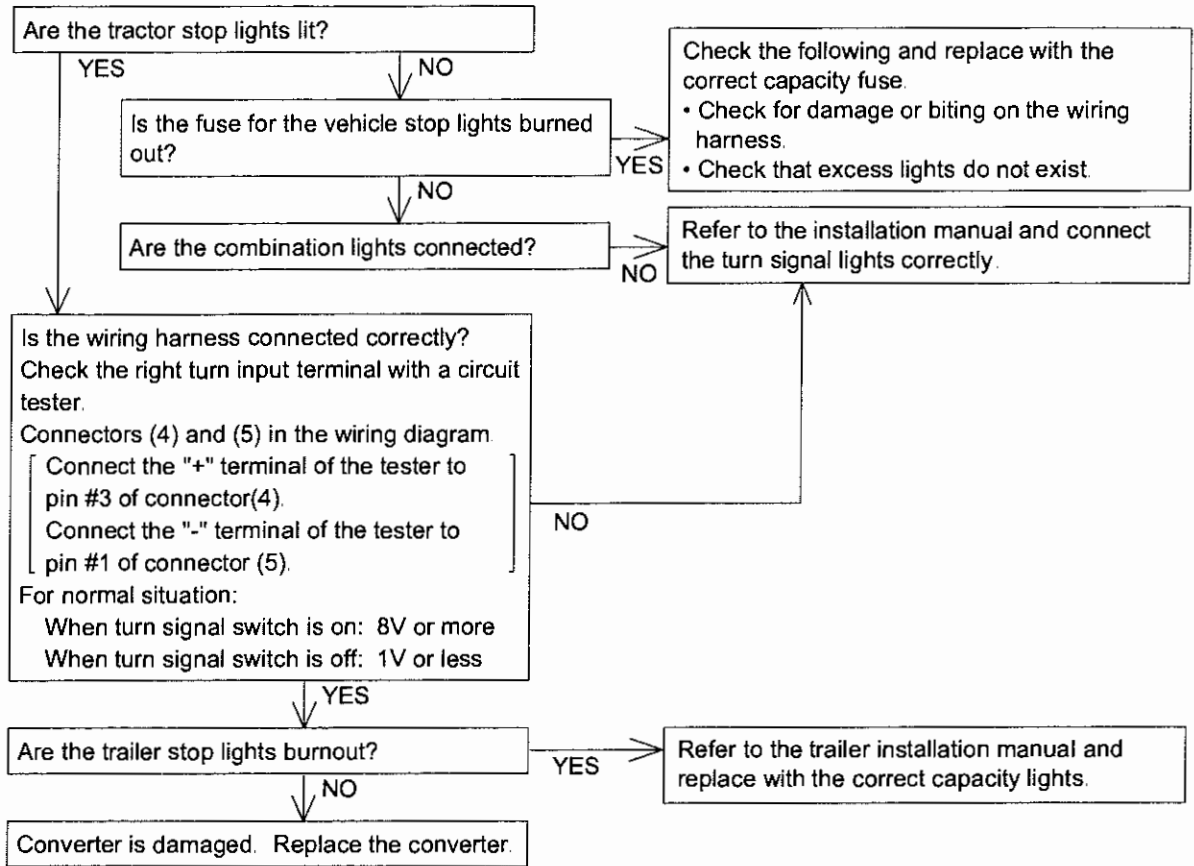


3 The turn signal lights do not flash.

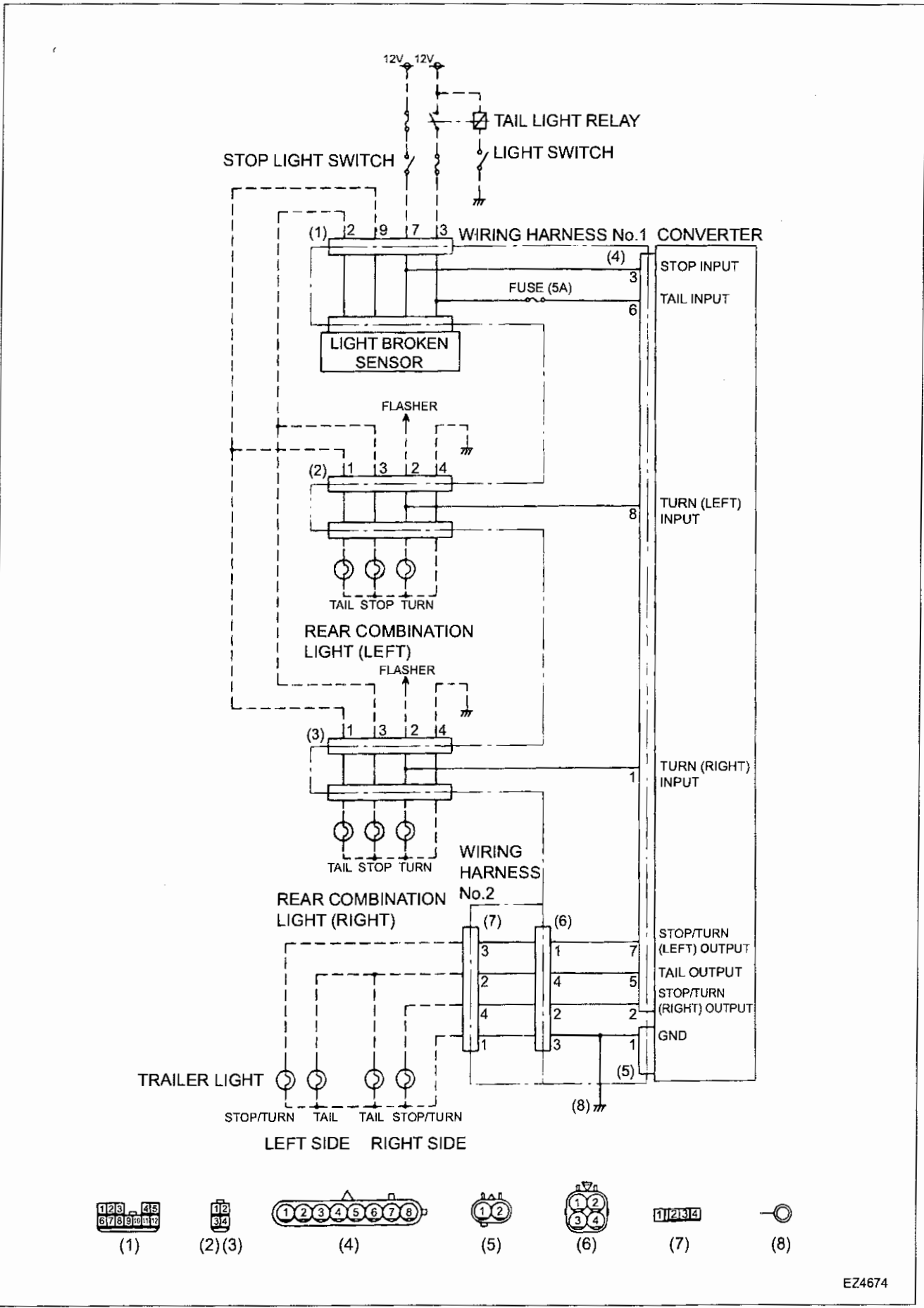


4

Stop lights do not light.



WIRING DIAGRAM



- (1)
- (2)(3)
- (4)
- (5)
- (6)
- (7)
- (8)

SPECIFICATIONS

If the current of the lamp connected to this trailering wire harness exceeds the rated value, the vehicle fuse or trailering wire fuse may be damaged. Use the lamp within the rated values specified in the table below.

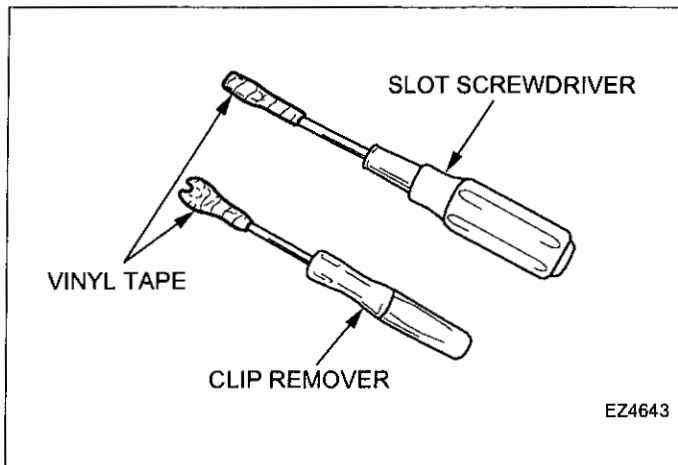
Rated Current	TAIL	MAX 3.5A
	STOP / TURN (RIGHT)	MAX 4.2A
	STOP / TURN (LEFT)	MAX 4.2A

DEFINITION OF TERMS

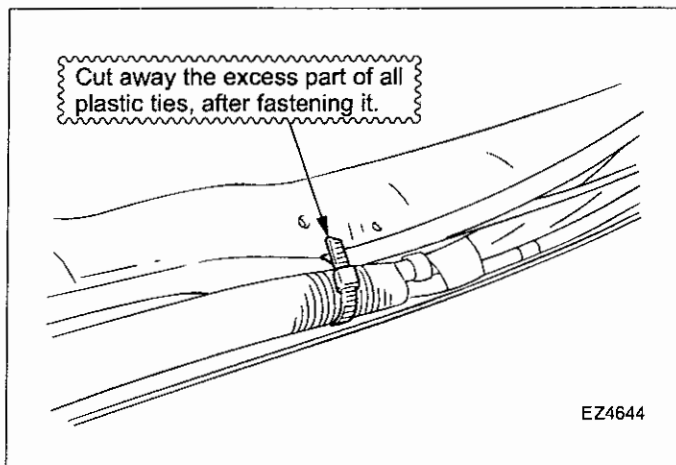
⚠ WARNING	Describes precautions that should be observed in order to prevent injury or death to the user during installation.
⚠ CAUTION	Describes precautions that should be observed in order to prevent damage to the vehicle or its components, which may occur during installation if insufficient care is taken.
NOTE	Provides additional information that facilitates installation work.
FRONT, REAR LEFT, RIGHT	Shows the direction when viewed from the driver's seat.

PRECAUTIONS FOR INSTALLATION

1. The contents given in "WARNING" and "CAUTION" in this manual must be adhered to during installation. If they are ignored, not only the functions of the trailering wire harness are hindered, but also personal injury or damage to the vehicle may result. Always carry out the installation in accordance with the "WARNING" and "CAUTION" as noted.
2. When the vehicle parts are removed, keep the tapping screws, bolts and nuts organized so that re-assembly will proceed correctly. Also be careful to protect the parts from scratches.
3. Do not remove vehicle parts except for those that are specified in this manual.



Take care not to scratch any part of the vehicle. Bind the tips of tools (clip remover, slot screwdriver etc.) with a piece of vinyl tape to prevent damage to parts of the vehicle.



NOTE

Cut away the excess part of all plastic ties, after fastening it.