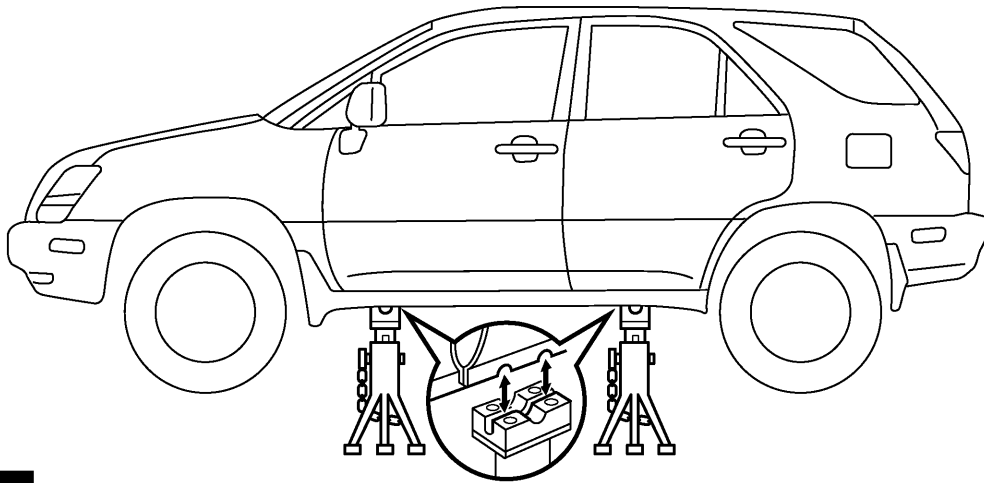
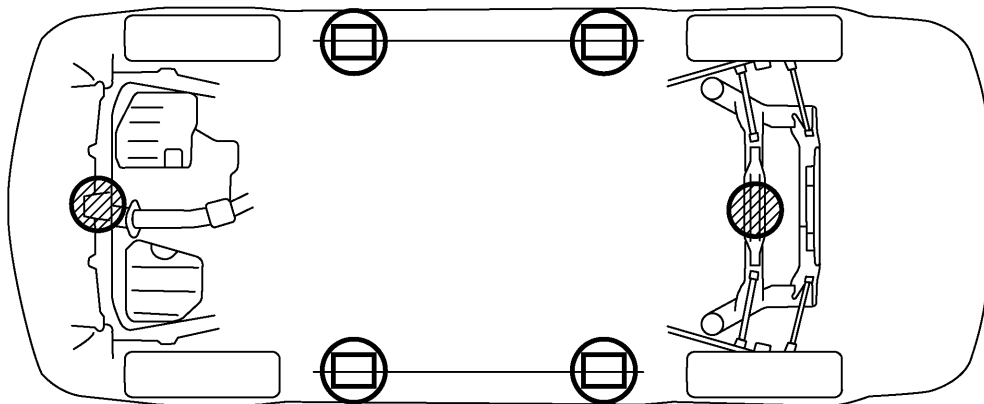


VEHICLE LIFT AND SUPPORT LOCATIONS

2WD



FRONT ←



JACK POSITION ————— (hatched circle)

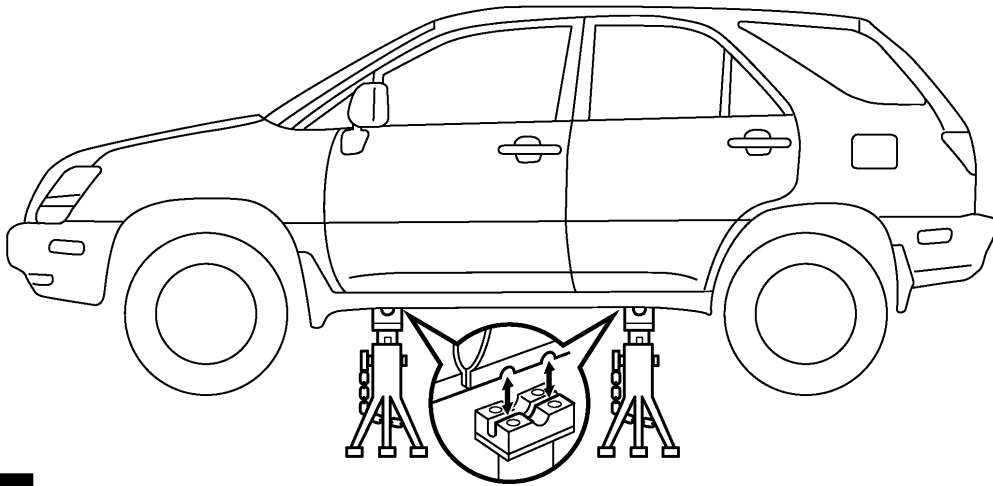
- Front Front frame
- Rear Rear suspension member

CAUTION: Before jacking-up the front and rear, make sure the car is not carrying any extra weight.

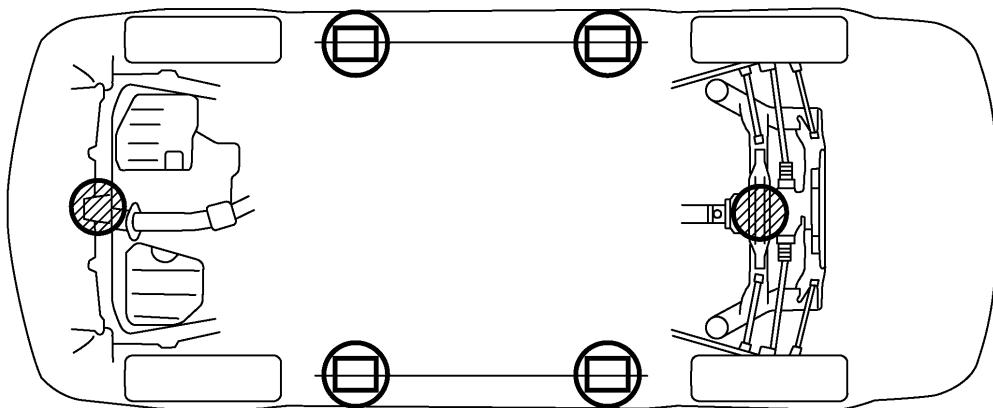
PANTOGRAPH JACK POSITION ————— (circle)

SUPPORT POSITION
 Safety stand and swing arm type lift (square)

4WD



FRONT ←



JACK POSITION ————— ○ (with diagonal lines)

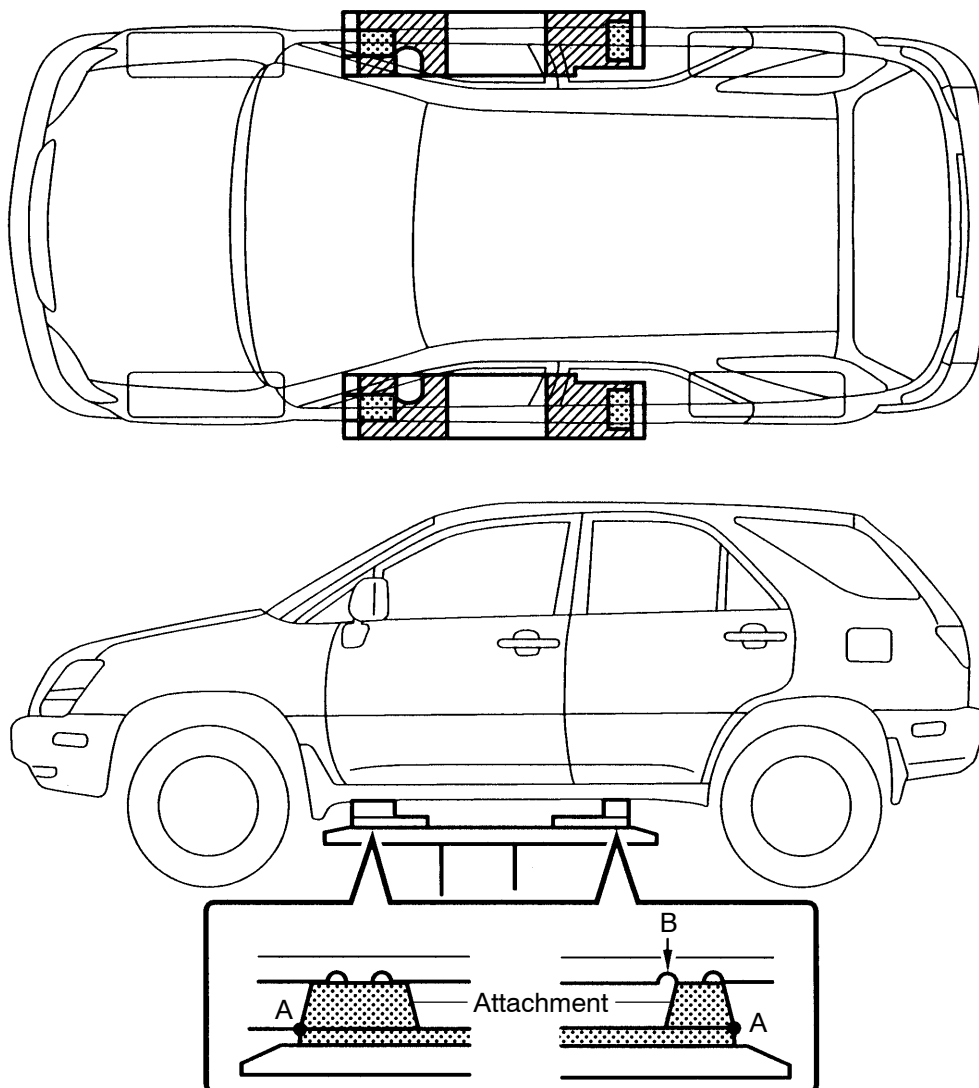
- Front..... Front frame
- Rear Rear differential support

CAUTION: Before jacking-up the front and rear, make sure the car is not carrying any extra weight.

PANTOGRAPH JACK POSITION ————— ○

SUPPORT POSITION
 Safety stand and swing arm type lift □

PLATE TYPE LIFT



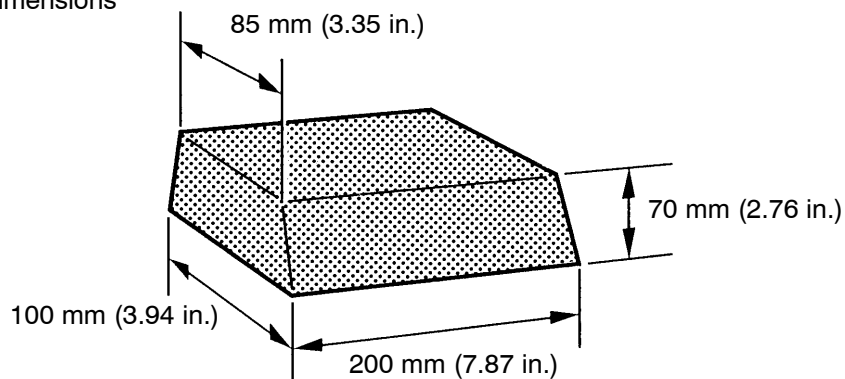
HINT:

Left and right set position
 Front and rear set position

Place the over center of lift.

- Align the cushion gum ends of the plate with the attachment lower ends (A).
- Align the attachment upper end (B) with the front cut-out at the pantograph jack position.
- Place the rear attachment sideways.

Attachment dimensions



B04694