


# Active Rear Wing Inoperative - Stuck in Raised Position

**Service Category** Vehicle Exterior

**Section** Exterior Panels/Trim

**Market** USA

Lexus Supports  
ASE Certification 

## Applicability

YEAR(S)	MODEL(S)	ADDITIONAL INFORMATION
2015	RC F	

## Introduction

Some 2015 model year RC F vehicles may exhibit a condition in which the Active Rear Wing becomes stuck in the fully raised position. When this condition occurs, the Active Rear Wing does not retract during normal driving and cannot be retracted with the switch on the instrument panel. Follow the Repair Procedure in this bulletin to address this condition.

## Production Change Information

This bulletin applies to vehicles produced **BEFORE** the Production Change Effective VIN shown below.

MODEL	PLANT	PRODUCTION CHANGE EFFECTIVE VIN
RC F	Tahara	JTHHP5BC#F5002927

## Warranty Information

OP CODE	DESCRIPTION	TIME	OFP	T1	T2
EL1507	R & R Computer Assy, Spoiler Control	0.5	89750-24010	87	74
EL1507A	Remove, Retract, and Reinstall Active Rear Wing Assembly	0.5			

### APPLICABLE WARRANTY

- This repair is covered under the Lexus Basic Warranty. This warranty is in effect for 48 months or 50,000 miles, whichever occurs first, from the vehicle's in-service date.
- Warranty application is limited to occurrence of the specified condition described in this bulletin.

## Active Rear Wing Inoperative - Stuck in Raised Position

### Parts Information

PART NUMBER		PART NAME	QTY
PREVIOUS	NEW		
89750-24010	89750-24011	Computer Assy, Spoiler Control	1

**NOTE**

The following part (quantity 2) may be used for multiple repairs. It does NOT need to be ordered for each vehicle. An equivalent 1.5 mm male terminal with wire attached may be used instead.

PART NUMBER	PART NAME	QTY
82998-24340	Terminal, Repair, w/Wire (or Equivalent)	2

### Required Tools & Equipment

REQUIRED EQUIPMENT	SUPPLIER	PART NUMBER	QTY
Techstream 2.0*	ADE	TS2UNIT	1
Techstream Lite		TSLITEPDLR01	

**NOTE**

- Only ONE of the Techstream units listed above is required.
- Software version 10.10.018 or later is required.
- Additional Techstream units may be ordered by calling Approved Dealer Equipment (ADE) at 1-800-368-6787.

SPECIAL SERVICE TOOLS (SST)	PART NUMBER	QTY
Plastic Pry Tool Kit*	<a href="#">00002-06020-02</a>	1

**NOTE**

Additional SSTs may be ordered by calling 1-800-933-8335.

\* Essential SST.

REQUIRED TOOLS & MATERIAL	QTY
Paint Marker (or Equivalent)	1
12 V Battery or Power Supply	1

## Active Rear Wing Inoperative - Stuck in Raised Position

### Repair Procedure

1. Confirm that the Active Rear Wing is in the fully raised position, and that it cannot be retracted with the switch on the instrument panel.

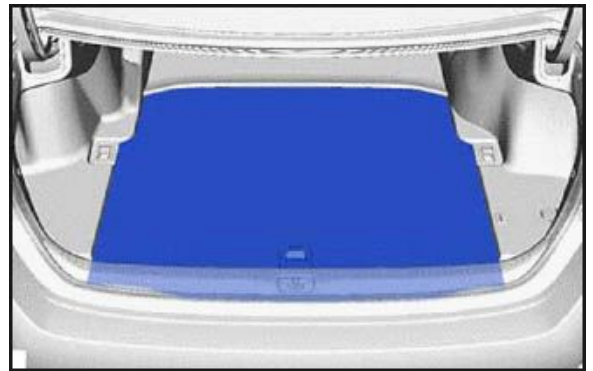
Are the conditions above met?

- **YES** — Continue to step 2.
- **NO** — This bulletin does NOT apply. Continue diagnosis using the applicable Repair Manual.

2. Remove and replace the Spoiler Control Computer Assembly.

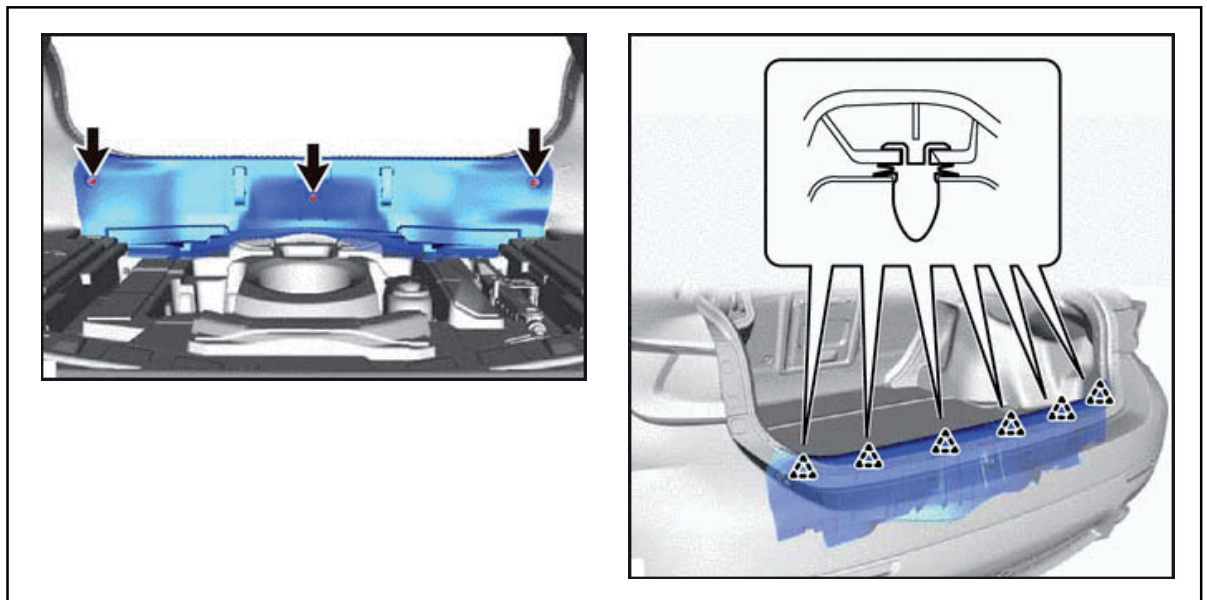
- A. Remove the No. 1 luggage compartment trim cover.

Figure 1.



- B. Remove the spare wheel cover tray.
- C. Remove the rear luggage compartment trim cover.

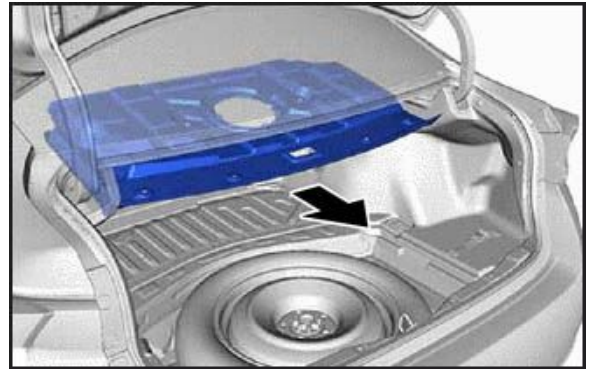
Figure 2.



## Active Rear Wing Inoperative - Stuck in Raised Position

### Repair Procedure (Continued)

- D. Remove the No. 1 luggage compartment light assembly.
- E. Remove the front upper luggage compartment trim cover. **Figure 3.**



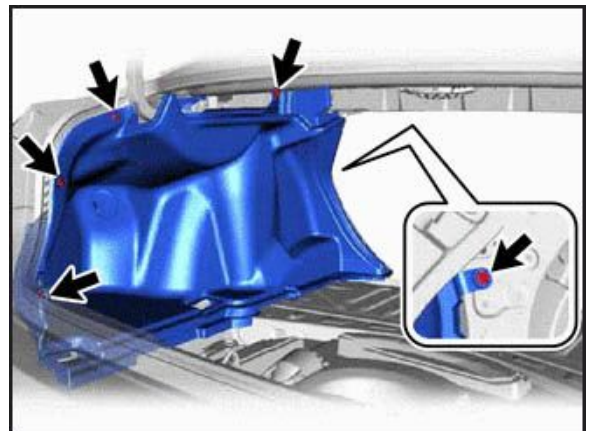
- F. Remove the front luggage compartment trim cover. **Figure 4.**



- G. Remove the rope hook assembly.
- H. Remove the luggage compartment trim cover LH. **Figure 5.**

**NOTE**

There is a hidden clip on the on the luggage compartment trim cover LH. This clip is accessible from the trunk, as shown in Figure 5.

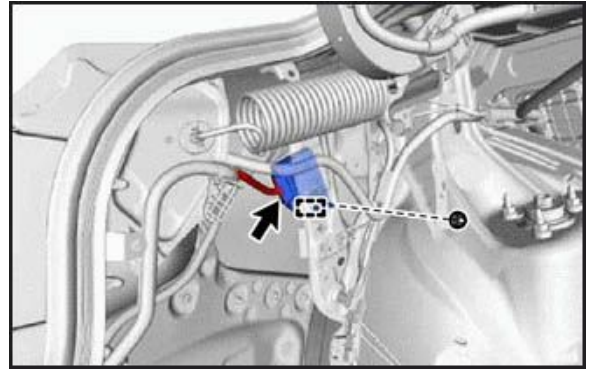


## Active Rear Wing Inoperative - Stuck in Raised Position

### Repair Procedure (Continued)

- I. Remove the spoiler control ECU assembly.
  - (1) Remove the nut.
  - (2) Disengage the guide.
  - (3) Disconnect the connector to remove the spoiler control ECU assembly.

Figure 6.



- J. Reassemble in the reverse order of disassembly.

#### NOTE

For additional details on any of the steps above, refer to the Technical Information System (TIS), applicable model and model year Repair Manual:

- 2015 RC F:  
*Vehicle Exterior – Exterior Panels/Trim – “Exterior Panels/Trim: Active Rear Wing ECU: [Removal](#) / [Installation](#)”*

3. Attempt to initialize the Active Rear Wing.

Refer to TIS, applicable model and model year Repair Manual:

- 2015 RC F:  
*Vehicle Exterior – Exterior Panels/Trim – “Exterior Panels/Trim: Active Rear Wing System: [Initialization](#)”*

Was the initialization successful?

- **YES** — If the Active Rear Wing retracts and initialization is successful, proceed to step 11.
- **NO** — If the Active Rear Wing does not retract, proceed to step 4.

## Active Rear Wing Inoperative - Stuck in Raised Position

### Repair Procedure (Continued)

**NOTE**

Perform steps 4 – 10 **ONLY** if initialization was not successful and Active Rear Wing does not retract.

4. Remove the Active Rear Wing assembly from the vehicle.

**NOTICE**

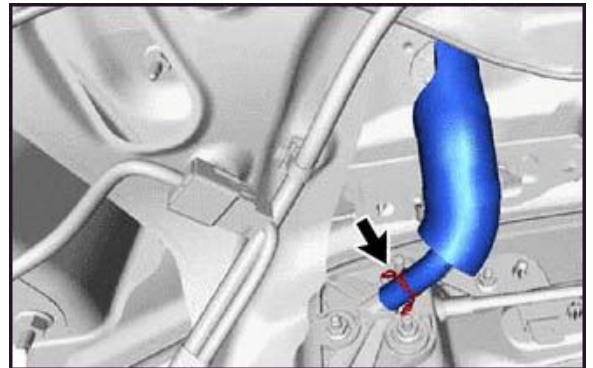
Take appropriate precautions to prevent scratches on the outer surface of the Active Rear Wing.

- A. Remove the luggage compartment door cover.
- B. Disconnect the sliding roof drain hose by expanding the clip.

**HINT**

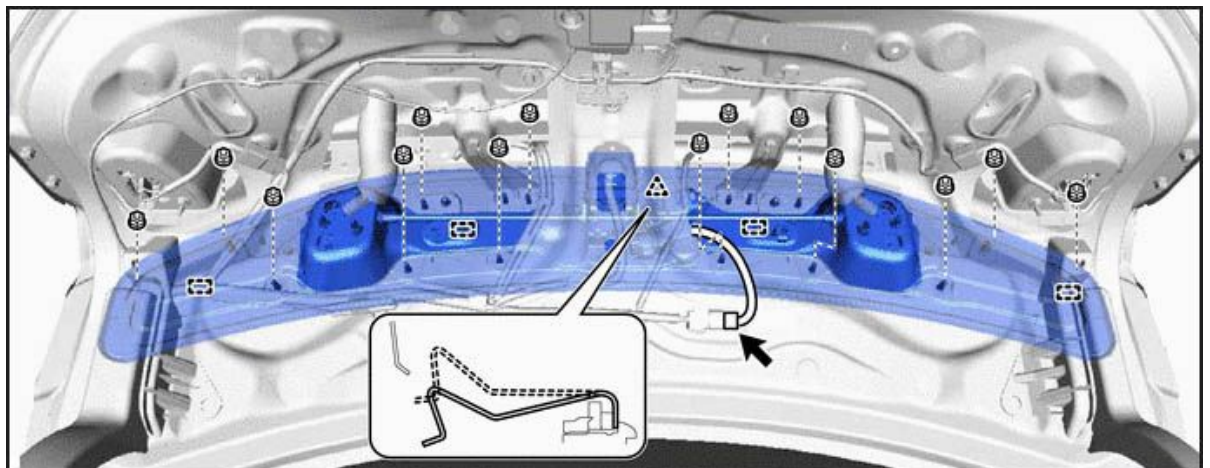
Use the same procedure for the RH and LH sides.

Figure 7.



- C. Disconnect the connector.
- D. Remove the 14 nuts.

Figure 8.



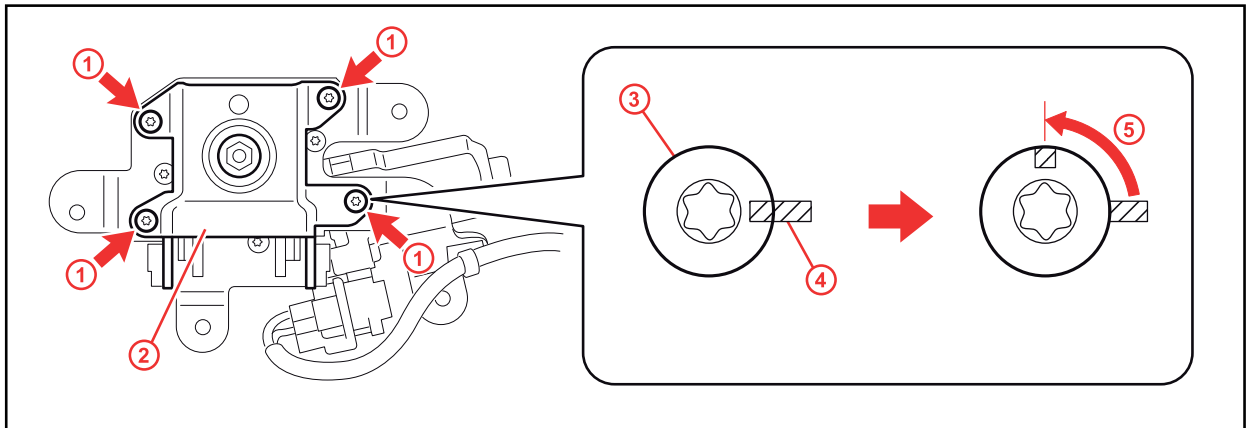


## Active Rear Wing Inoperative - Stuck in Raised Position

### Repair Procedure (Continued)

- E. Disengage the clip and 4 guides to remove the Active Rear Wing assembly.
- F. Place the Active Rear Wing assembly on a workbench with the motor assembly facing up.
- 5. Paint mark the 4 Torx screws on the Active Rear Wing motor assembly, as shown below, and rotate each screw 90° counterclockwise.

**Figure 9.**



1	Torx Screw Locations
2	Active Rear Wing Motor Assembly
3	Torx Screw (T25)

4	Paint Mark
5	Rotate 90° Counterclockwise

## Active Rear Wing Inoperative - Stuck in Raised Position

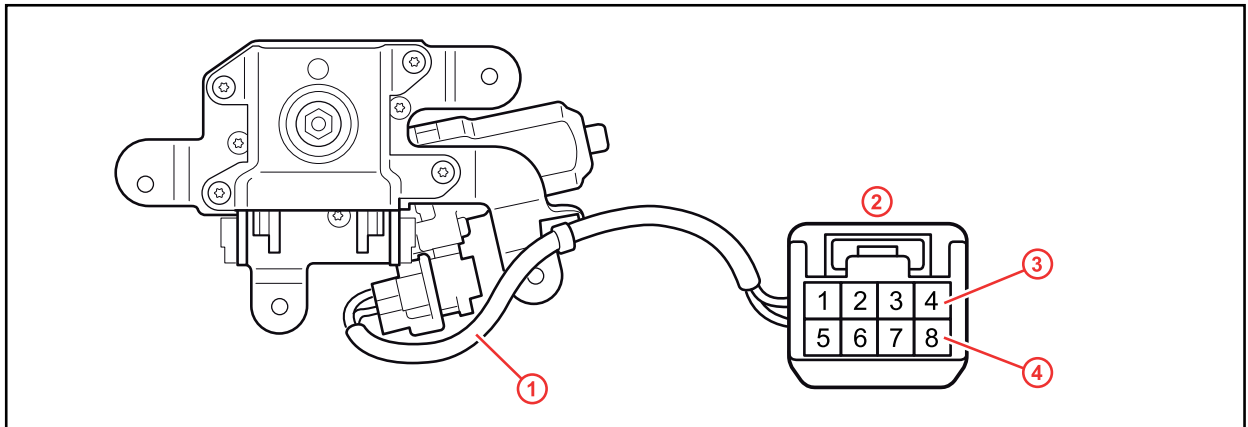
### Repair Procedure (Continued)

- Insert the 1.5 mm male terminal ends of the 2 Repair Terminals w/Wire (P/N 82998-24340 or equivalent) into the female terminals of terminals 4 and 8 in the Active Rear Wing motor wire harness connector (connector pU1).

**NOTICE**

To prevent damage to the female terminals in the connector, use **ONLY 1.5 mm male terminal ends with wires attached for this procedure (P/N 82998-24340 or equivalent).**

Figure 10.



<b>1</b>	Active Rear Wing Motor Wire Harness
<b>2</b>	Connector pU1

<b>3</b>	Terminal 4
<b>4</b>	Terminal 8

- To lower the Active Rear Wing, connect the wires to a 12 V battery or power supply as follows:

TERMINAL	POLARITY
8	+ (Positive, Black/White)
4	- (Negative, Red/White)

This step will operate the Active Rear Wing motor to retract the wing. The motor will operate as soon as the wires inserted into the terminals are connected to a power source.

**CAUTION**

**Be careful NOT to get pinched by the Active Rear Wing assembly when the Active Rear Wing is operating.**

- If the Active Rear Wing moves to the fully retracted position within 30 seconds, disconnect the battery or power supply and proceed to step 8.
- If the Active Rear Wing does NOT retract within 30 seconds, STOP. Disconnect the power supply and diagnose the Active Rear Wing motor per the Repair Manual.

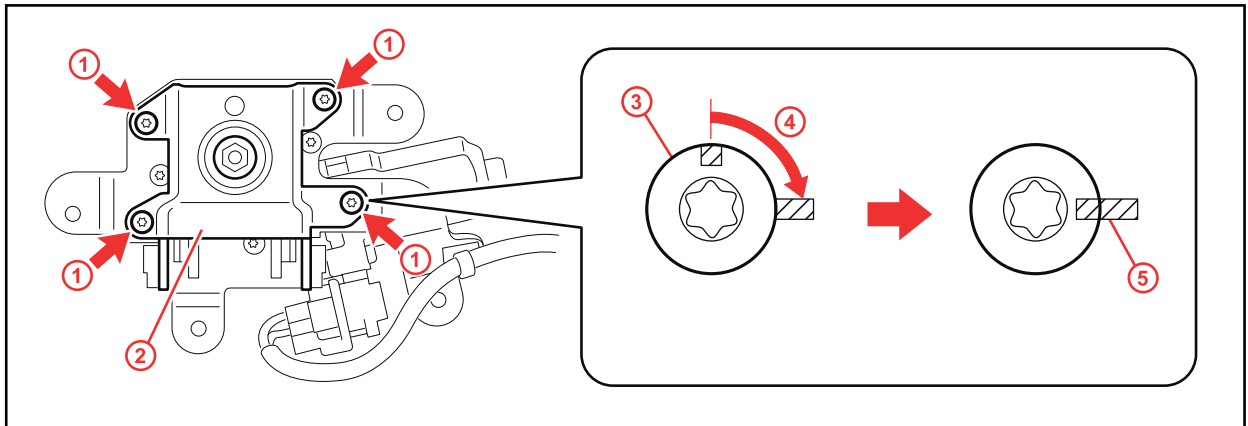


## Active Rear Wing Inoperative - Stuck in Raised Position

### Repair Procedure (Continued)

8. Rotate the 4 Torx screws 90° clockwise to their original positions, referencing the paint marks, as shown below.

Figure 11.



1	Torx Screw Locations
2	Active Rear Wing Motor Assembly
3	Torx Screw (T25)

4	Rotate 90° Clockwise
5	Paint Mark

**NOTE**

The screws do NOT need to be torqued if the paint mark procedure is followed. If for any reason the paint mark procedure cannot be followed, torque to the following: 5.5 N\*m, 56 kgf\*cm, 49 in\*lb.

9. Reinstall the Active Rear Wing assembly.

Refer to TIS, applicable model and model year Repair Manual:

- 2015 RC F:  
*Vehicle Exterior – Exterior Panels/Trim – “Exterior Panels/Trim: Active Rear Wing: [Installation](#)”*

10. Initialize the Active Rear Wing.

Refer to TIS, applicable model and model year Repair Manual:

- 2015 RC F:  
*Vehicle Exterior – Exterior Panels/Trim – “Exterior Panels/Trim: Active Rear Wing System: [Initialization](#)”*

## Active Rear Wing Inoperative - Stuck in Raised Position

---

### Repair Procedure (Continued)

11. Confirm that the Active Rear Wing operates normally.

Refer to TIS, applicable model and model year Repair Manual:

- 2015 RC F:  
*Vehicle Exterior – Exterior Panels/Trim – “Exterior Panels/Trim: Active Rear Wing System: [Operation Check](#)”*