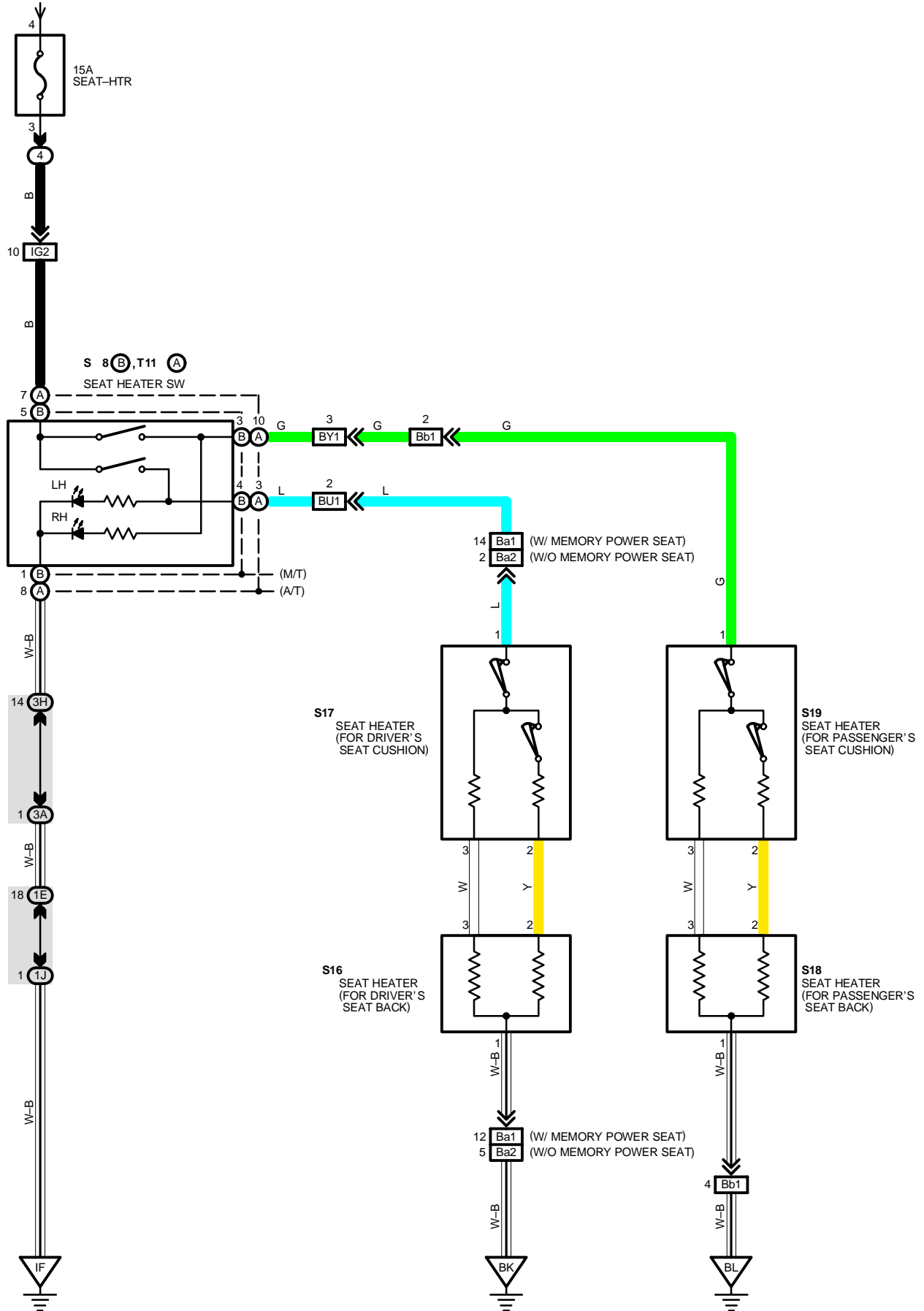


SEAT HEATER

FROM POWER SOURCE SYSTEM (SEE PAGE 60)



SERVICE HINTS

S 8 (B), T11 (A) SEAT HEATER SW

(B) 5, (A) 7-GROUND : APPROX. 12 VOLTS WITH SW AT ON POSITION

(B) 1, (A) 8-GROUND : ALWAYS CONTINUITY

○ : PARTS LOCATION

CODE	SEE PAGE	CODE	SEE PAGE	CODE	SEE PAGE	
S 8	B	31	S17	34	S19	34
S16	34	S18	34	T11	A	31

○ : RELAY BLOCKS

CODE	SEE PAGE	RELAY BLOCKS (RELAY BLOCK LOCATION)
4	23	R/B NO. 4

○ : JUNCTION BLOCK AND WIRE HARNESS CONNECTOR

CODE	SEE PAGE	JUNCTION BLOCK AND WIRE HARNESS (CONNECTOR LOCATION)
1E	20	INSTRUMENT PANEL WIRE AND J/B NO. 1 (LEFT KICK PANEL)
1J	20	COWL WIRE AND J/B NO. 1 (LEFT KICK PANEL)
3A	22	INSTRUMENT PANEL WIRE AND J/B NO. 3 (BEHIND THE INSTRUMENT PANEL CENTER)
3H		

□ : CONNECTOR JOINING WIRE HARNESS AND WIRE HARNESS

CODE	SEE PAGE	JOINING WIRE HARNESS AND WIRE HARNESS (CONNECTOR LOCATION)
IG2	40	INSTRUMENT PANEL WIRE AND COWL WIRE (R/B NO. 5)
BU1	44	INSTRUMENT PANEL WIRE AND FLOOR MAIN WIRE (LEFT KICK PANEL)
BY1	44	INSTRUMENT PANEL WIRE AND FLOOR NO. 3 WIRE (RIGHT KICK PANEL)
Ba1	46	FLOOR MAIN WIRE AND FRONT SEAT LH WIRE (UNDER THE FRONT LH SEAT)
Bb1	46	FLOOR NO. 3 WIRE AND FRONT SEAT RH WIRE (UNDER THE FRONT RH SEAT)

▽ : GROUND POINTS

CODE	SEE PAGE	GROUND POINTS LOCATION
IF	40	LEFT KICK PANEL
BK	44	UNDER THE CENTER PILLAR LH
BL	44	UNDER THE CENTER PILLAR RH

