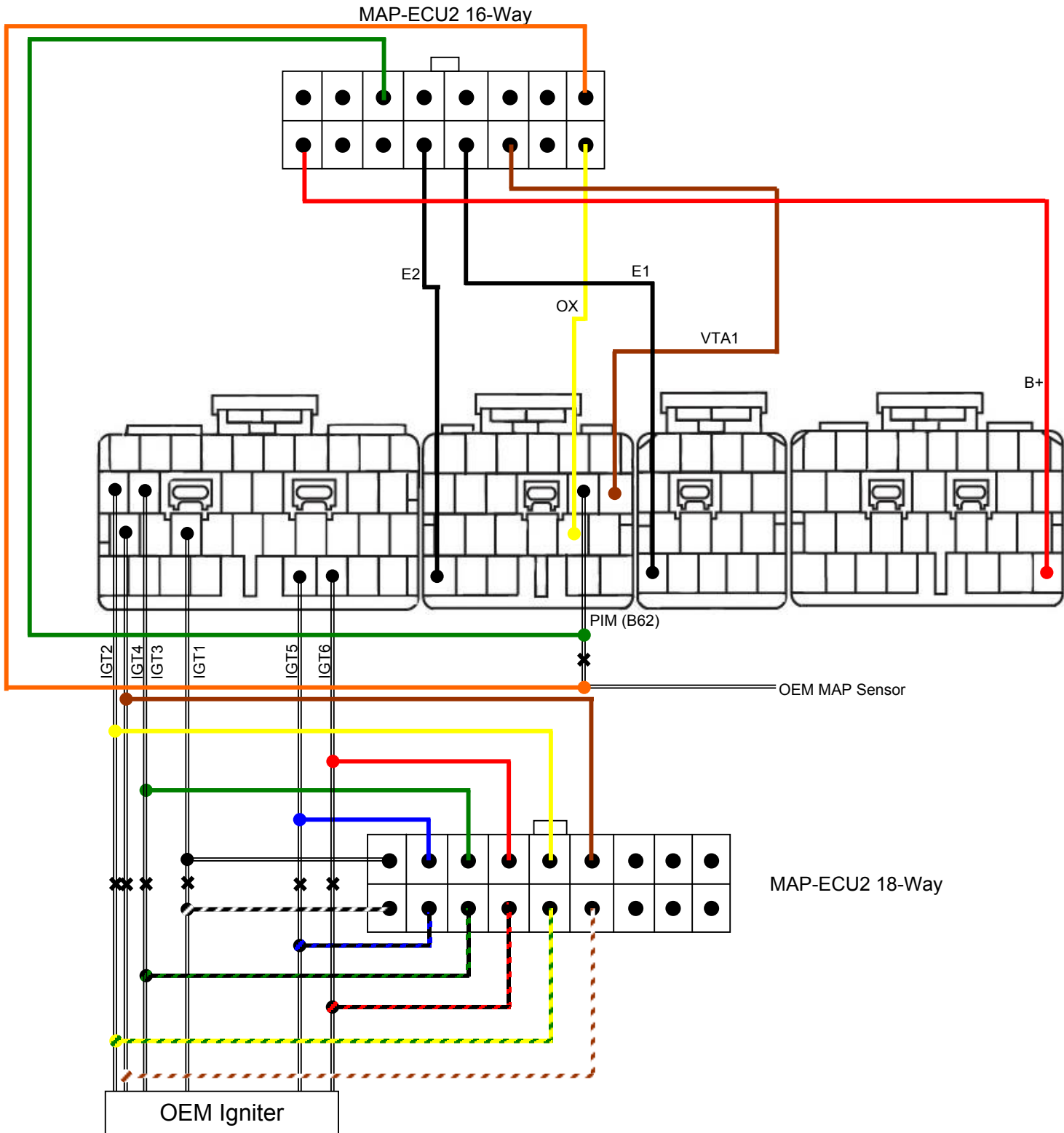


# Toyota Soarer JZZ30 1JZ-GTE 1991.5-1996.7 JDM



✕=Wire cut

Note: IAT replacement resistor or IAT Compensation on MAP-ECU2 not required due to IAT connected to OEM ECU.