

LEXUS Hood deflector INSTALLATION INSTRUCTIONS NX

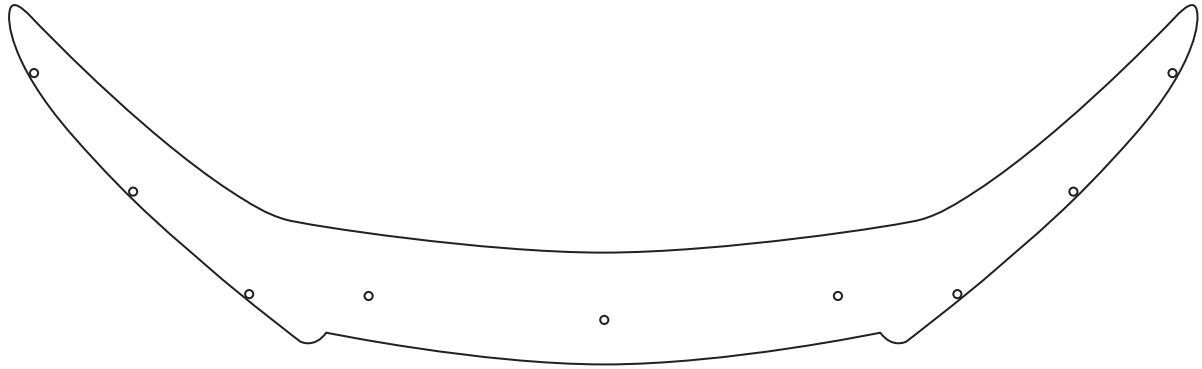
Model year	2014/07
Vehicle code	A***** - AW***W
Part number	PU500-7815E

Revision Record

Rev. No.	Date	Page	Picture	Update	New	Deleted
1	08.04.15	1		X		
1	08.04.15	3		X		

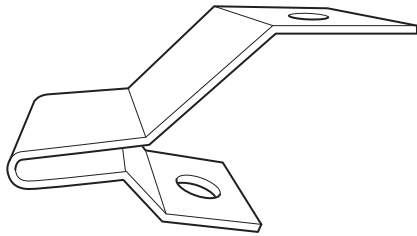
PU500-7815E

A



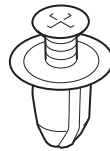
1x

B



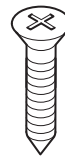
3x

C



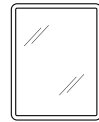
6x

D



6x

E



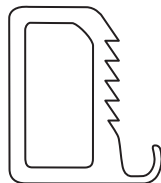
9x

F



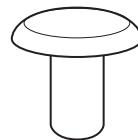
6x

G



6x

H

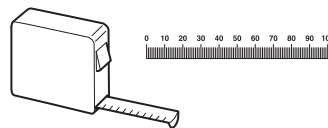
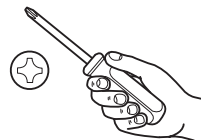
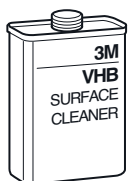


6x

J



5x



40°C
18°C

MSDS

1

3M
VHB
SURFACE
CLEANER

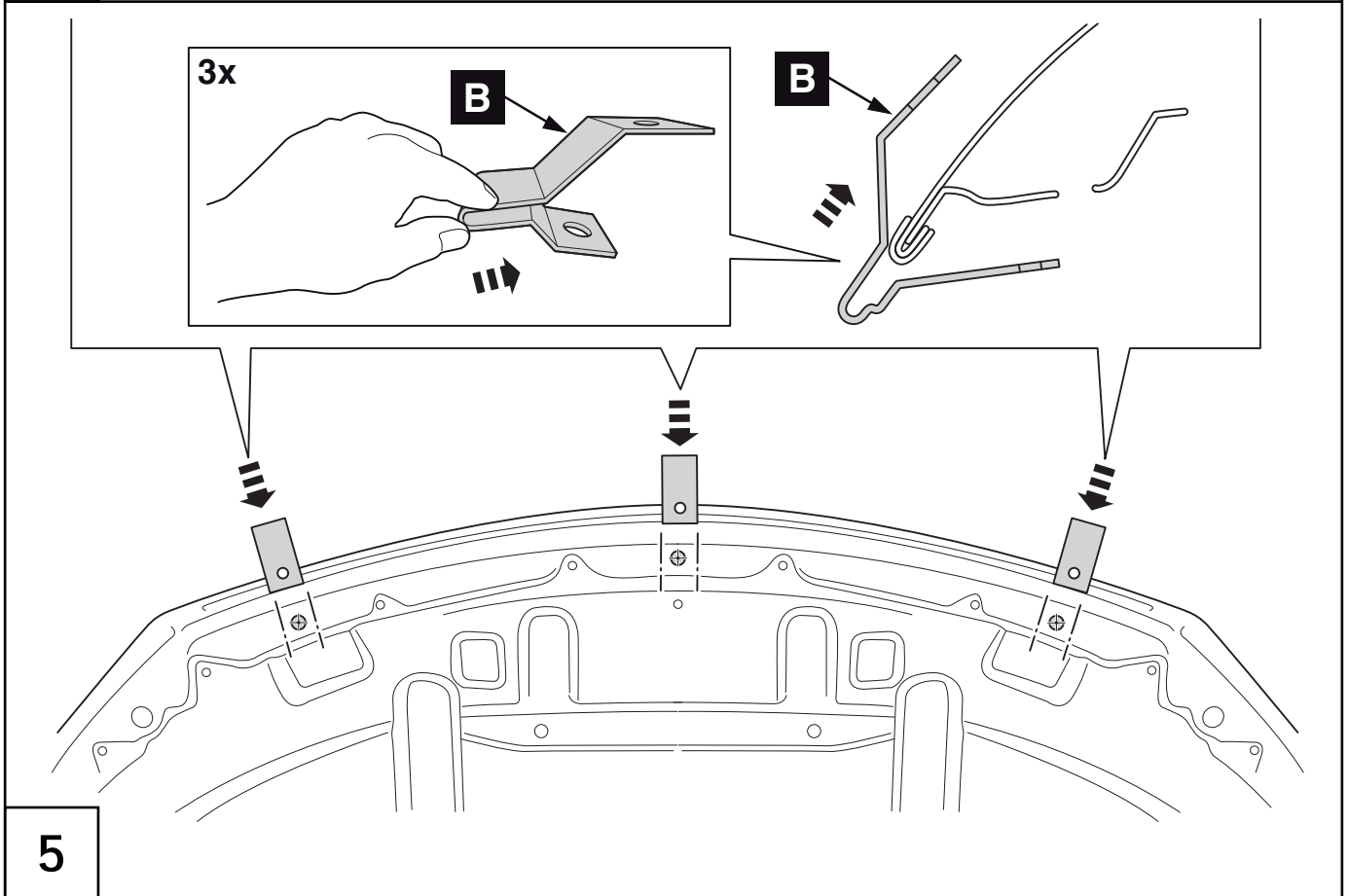
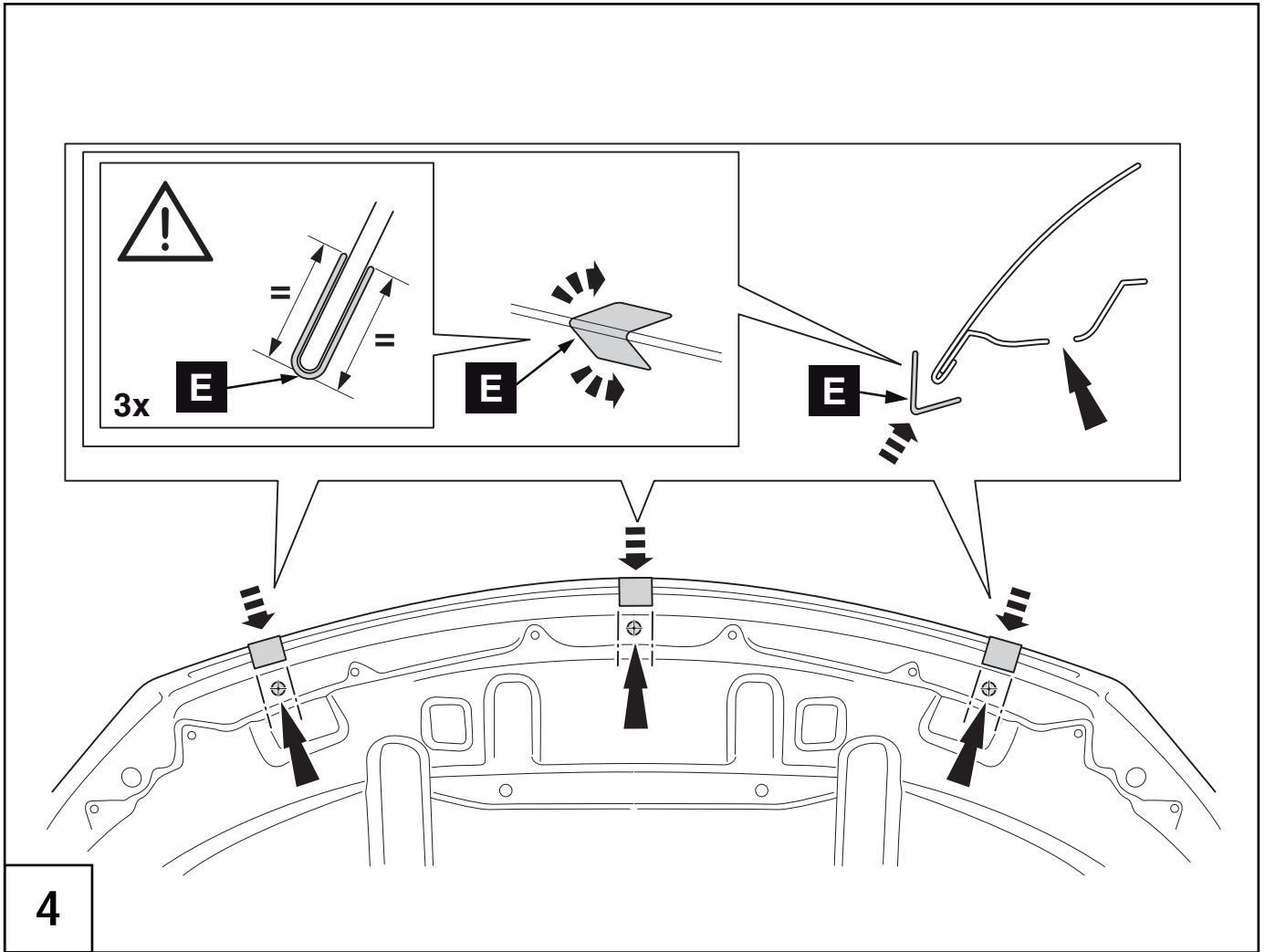
2

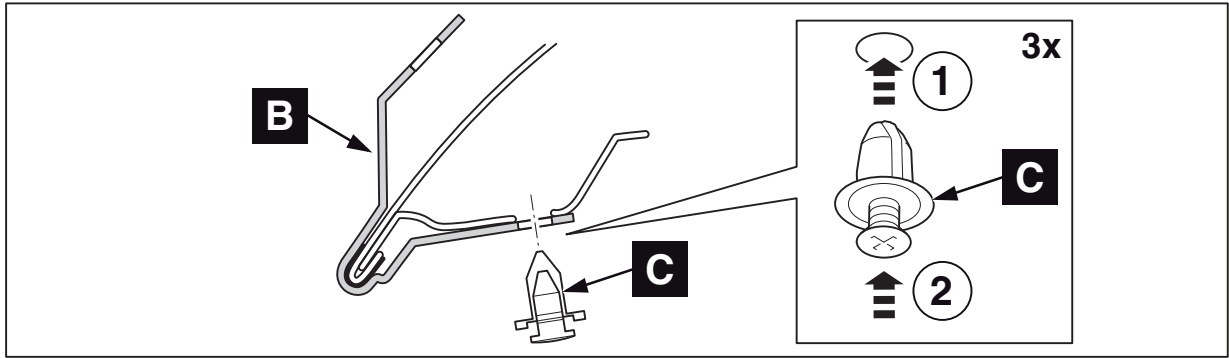
J

60 mm 305 mm 280 mm 280 mm 305 mm 60 mm

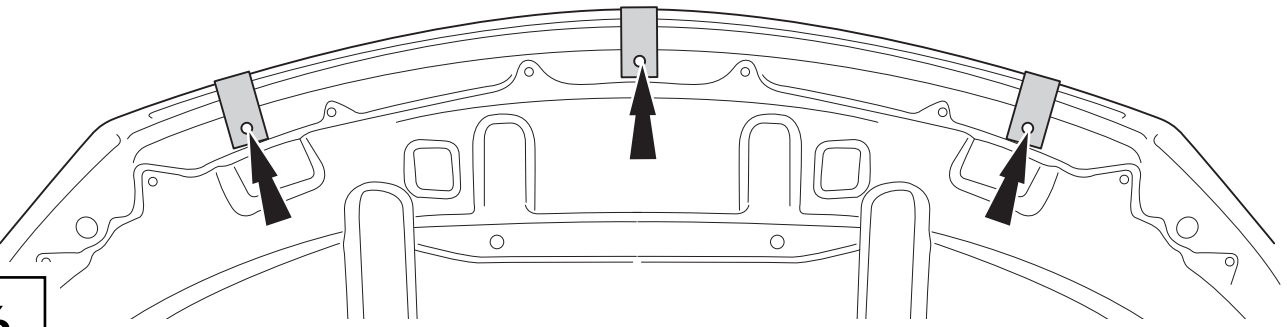
110 mm 110 mm 110 mm

3

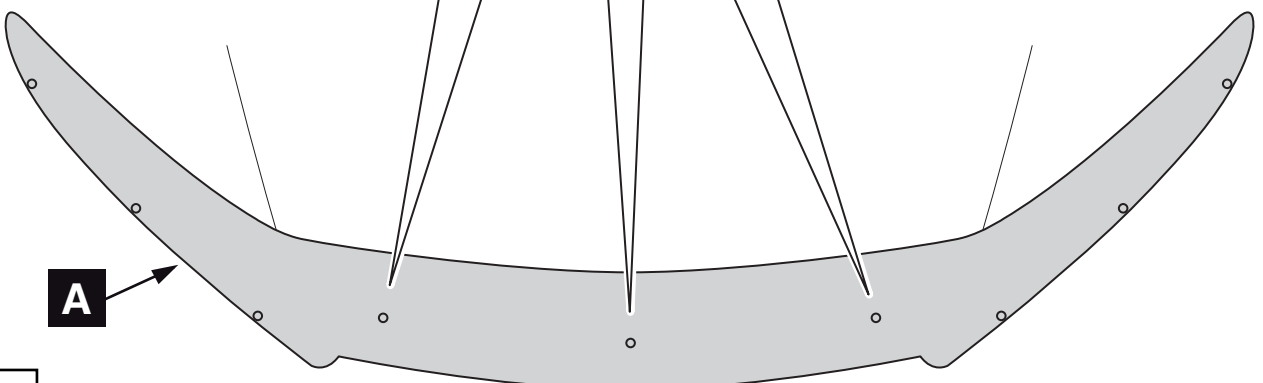
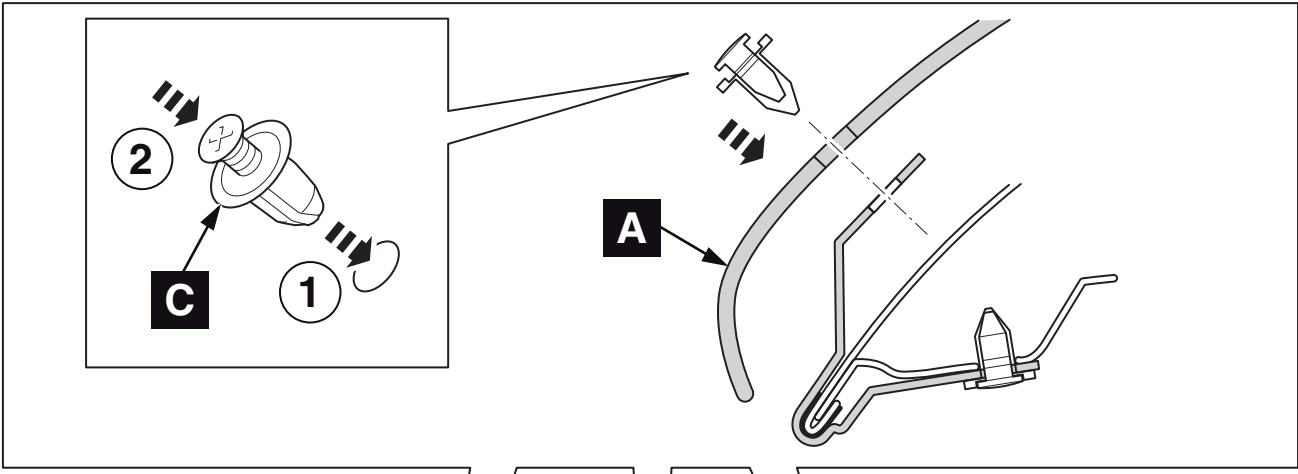


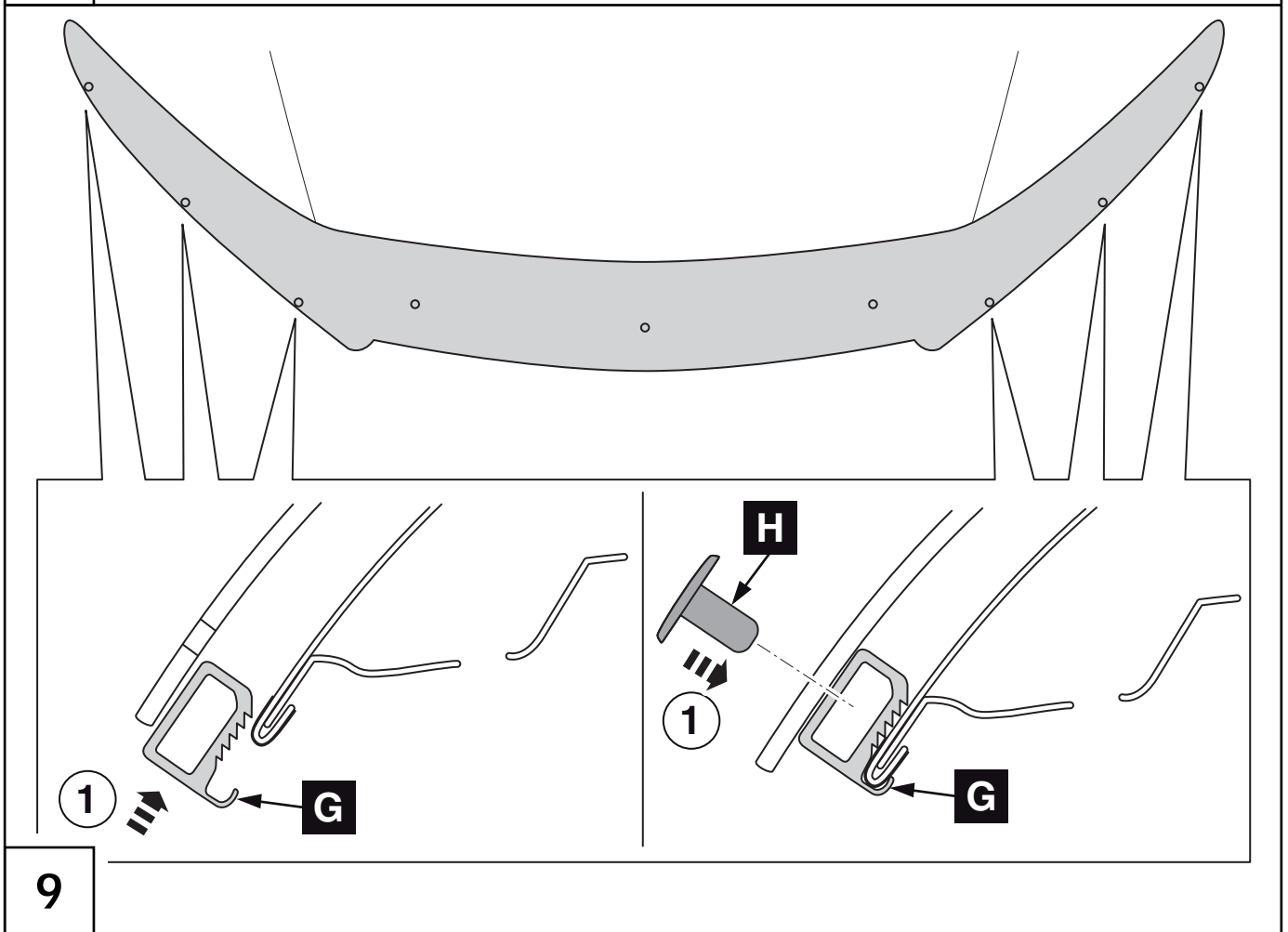
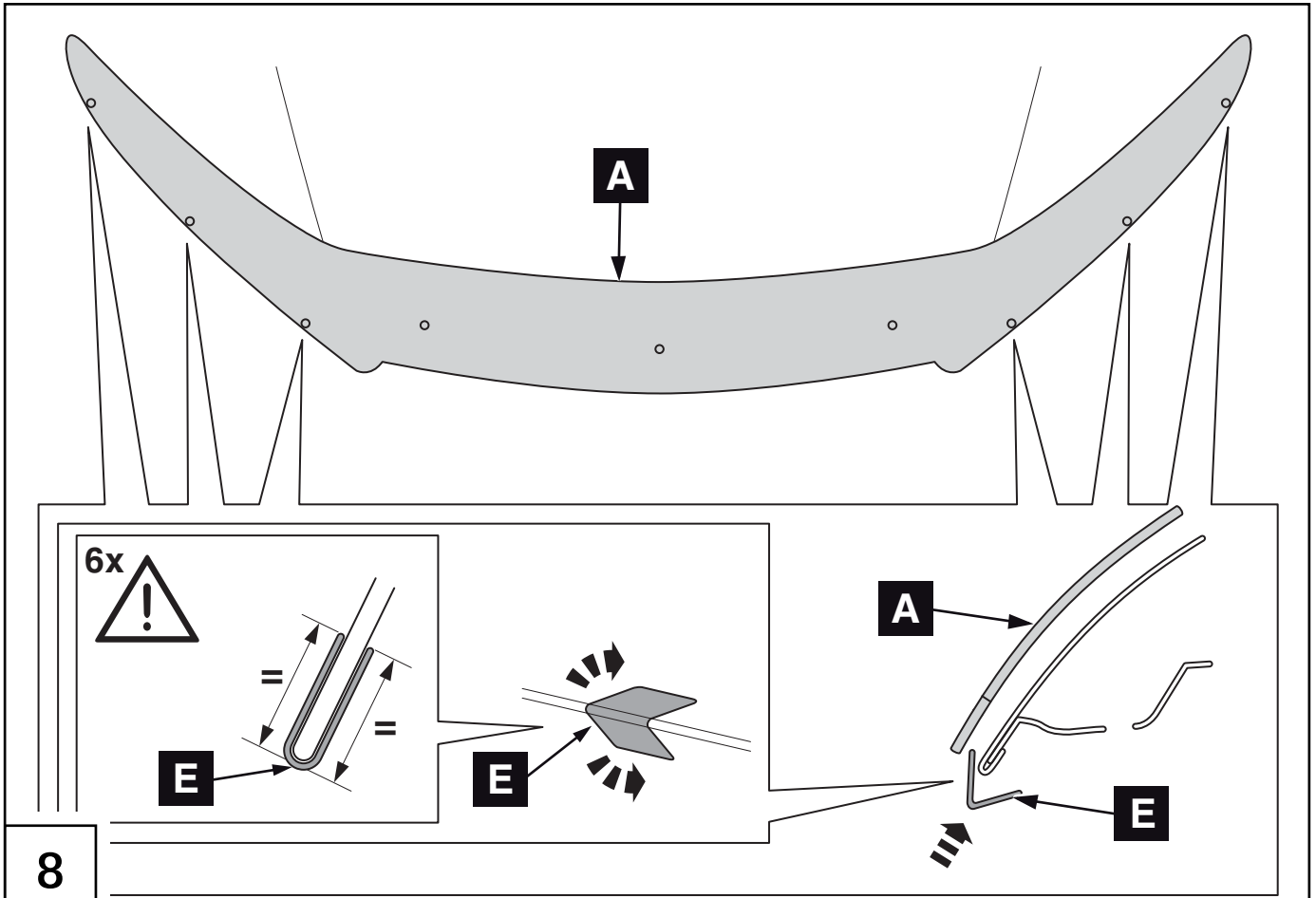


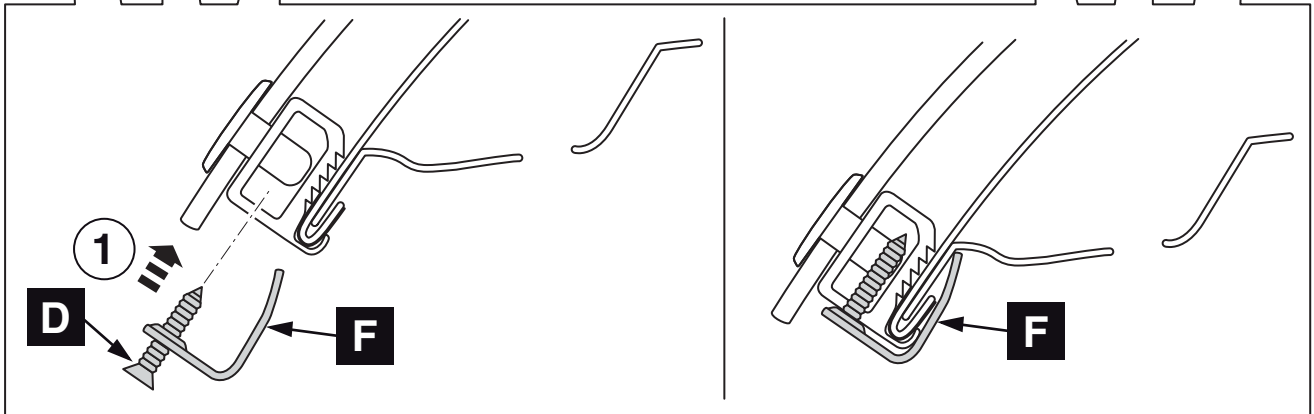
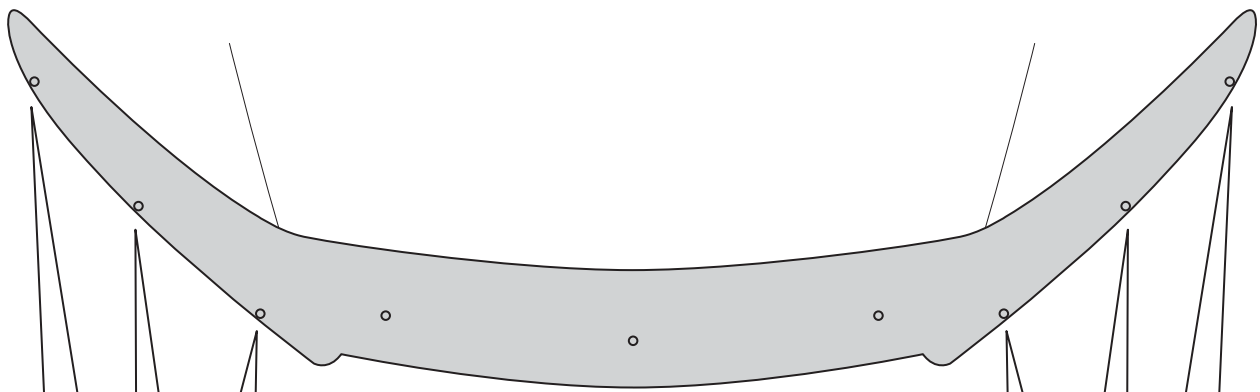
6



7







11

CHECK SHEET



Model / Year **LEXUS NX**
2014/07

Hood deflector

VIN n°

P/N = OK

40°C

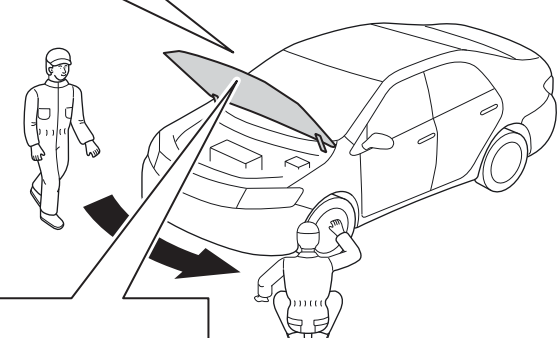
18°C

= OK

= OK

= OK

= OK



= OK

= OK

= OK

Installation Date:

... / ... / ...

Technician Name & Signature:

Stamp:

