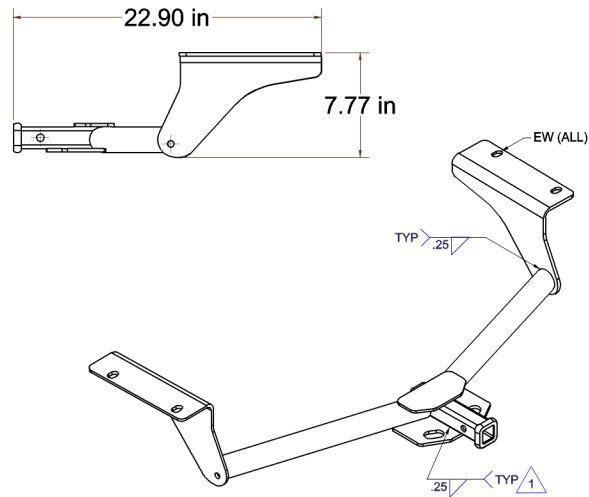


Parts List			
ITEM	QTY	PART NUMBER	DESCRIPTION
1	1	12108-SCP	SAFETY CHAIN PLATE, .250" THK
2	1	12108-DS	.250" DRIVER SIDE PLATE
3	2	12108-MB	MAIN BODY, Ø1.90 x .188"
4	1	12108-PS	.250" PASSENGER SIDE PLATE
5	1	CM-RTM8-2M-WA	8" MANUFACTURED RECEIVER TUBE
6	1	12108-TP	.250" TOP PLATE

**NOTES:**  
 - MERGE WELDS ALL AROUND  
 - TOTAL WELD INCHES = 56.00



**A-COAT MODIFIED**

<p>ALL WELDED JOINTS TO BE WELDED IN ACCORDANCE WITH AWS D1.1/D1.1M:2006 STANDARDS</p> <p>WELD ALL AROUND PART</p> <p>WELD SIMILAR PARTS THE SAME</p> <p>WELD OUT WELD ALL EDGES AND/OR SURFACES</p>	<p>HITCH INSTALLATION CODE</p> <p>DH = DRILL HOLE IN FRAME FOR HITCH INSTALLATION.</p> <p>EH = EXISTING HOLE IN FRAME FOR HITCH INSTALLATION.</p> <p>EW = EXISTING WELDNUT IN FRAME FOR HITCH INSTALLATION.</p> <p>FILLET WELD</p> <p>FLANGE CORNER WELD</p> <p>SQUARE GROOVE WELD</p>
--	--

<p>1</p> <p>ADDED / MODIFIED WELD SYMBOLS</p> <p>10/16/2013</p> <p>BHR</p>	<p>REVISION HISTORY</p> <p>1/31/2013</p>	<p>6208 Industrial Drive</p> <p>Eau Claire, WI 54701</p>
<p>STANDARD TOLERANCES</p> <p>.XX +/- .06</p> <p>.XXX +/- .03</p> <p>X +/- .1</p> <p>ALL DIMENSIONS SHOWN ARE FOR REFERENCE ONLY.</p>	<p>TITLE</p> <p>RECEIVER HITCH WELDMENT</p> <p>SIZE DWG NO</p> <p>C 12108-WA</p>	<p>REV</p> <p>1</p>