

Last Modified: 7-25-2017	6.8:8.0.51	Doc ID: RM000002LA9000X
Model Year Start: 2007	Model: LS460	Prod Date Range: [09/2006 -]
Title: EXTERIOR: REAR BUMPER: REMOVAL; 2007 MY LS460 [09/2006 -]		

REMOVAL

1. REMOVE COWL TOP VENTILATOR LOUVER RH INFO

2. DISCONNECT CABLE FROM NEGATIVE BATTERY TERMINAL

CAUTION:

Wait at least 90 seconds after disconnecting the cable from the negative (-) battery terminal to prevent airbag and seat belt pretensioner activation.

NOTICE:

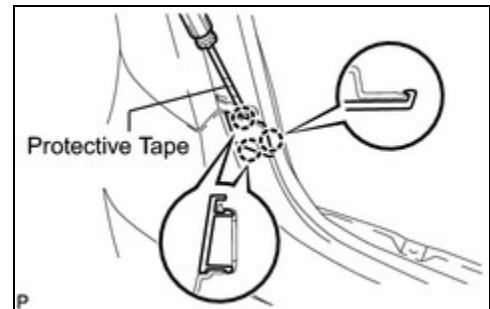
After the engine switch is turned off, the HDD navigation system requires approximately 6 minutes to record various types of memory and settings. As a result, after turning the engine switch off, wait 6 minutes or more before disconnecting the cable from the negative (-) battery terminal.

3. REMOVE REAR BUMPER PLATE LH

- (a) Using a screwdriver, detach the 3 claws and remove the bumper plate.

HINT:

Tape the screwdriver tip before use.

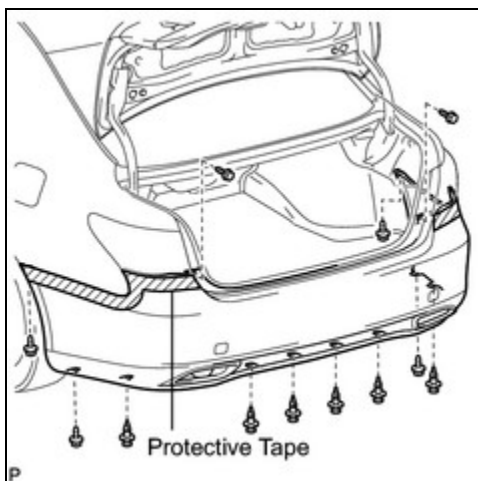


4. REMOVE REAR BUMPER PLATE RH

HINT:

Use the same procedures described for the LH side.

5. REMOVE REAR BUMPER COVER



- (a) Put protective tape around the rear bumper assembly.

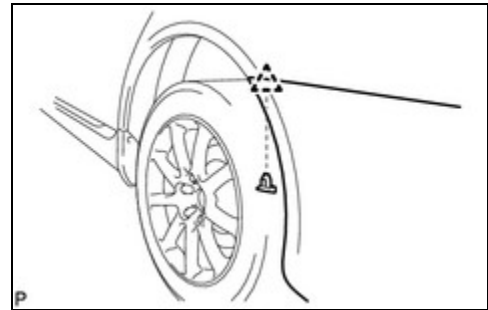
(b) Using a clip remover, remove the 6 clips.

(c) Remove the 6 screws.

(d) Detach the clip and remove the bumper seal bracket.

HINT:

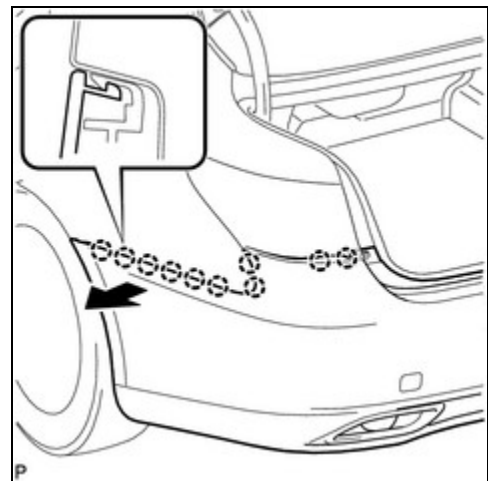
Use the same procedures for the RH side and LH side.



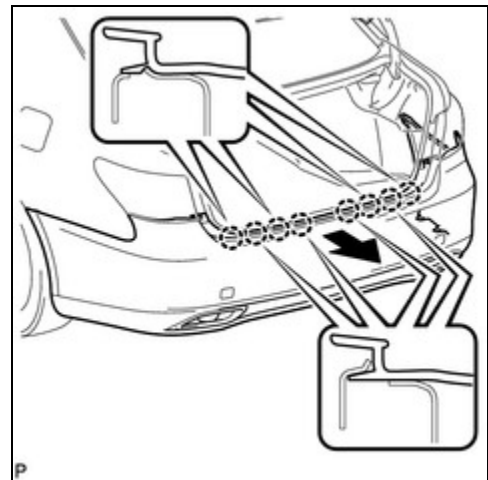
(e) Detach the 10 claws and disconnect the rear bumper as shown in the illustration.

HINT:

Use the same procedures for the RH side and LH side.



(f) Detach the 8 claws and remove the rear bumper as shown in the illustration.



(g) w/ Intuitive Parking Assist System:

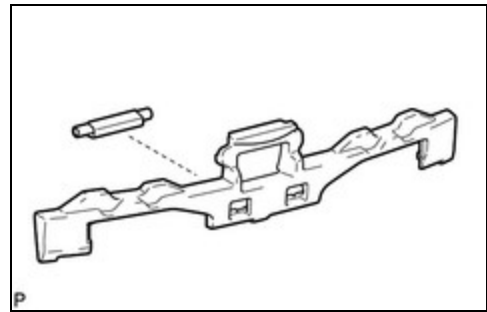
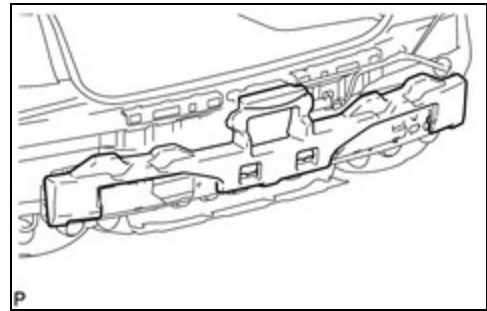
Disconnect the No. 3 floor wire connector.

6. REMOVE REAR BUMPER ENERGY ABSORBER

(a) Remove the energy absorber.

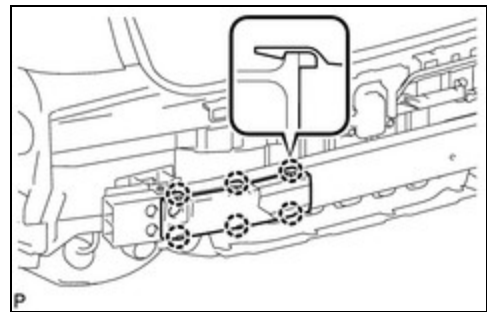
7. REMOVE REAR BUMPER BAR

- (a) Remove the bumper bar from the energy absorber.



8. REMOVE REAR BUMPER ARM REINFORCEMENT LH

- (a) Detach the 6 claws and remove the bumper arm reinforcement.



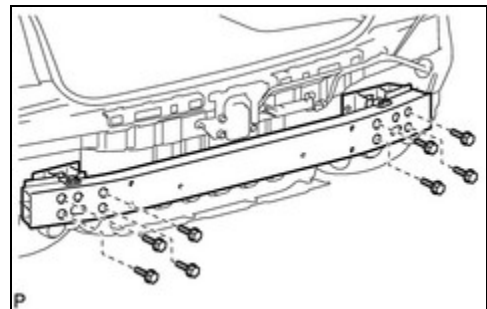
9. REMOVE REAR BUMPER ARM REINFORCEMENT RH

HINT:

Use the same procedures described for the LH side.

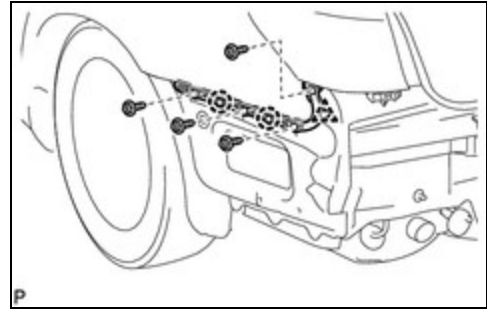
10. REMOVE REAR BUMPER NO. 1 REINFORCEMENT

- (a) Remove the 8 bolts and reinforcement.



11. REMOVE REAR BUMPER SIDE SUPPORT LH

- (a) Remove the 4 screws.
- (b) Detach the clip and 2 claws to remove the side support.



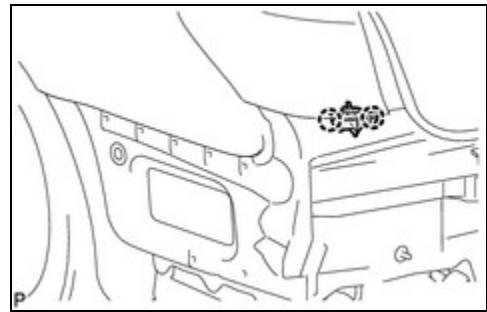
12. REMOVE REAR BUMPER SIDE SUPPORT RH

HINT:

Use the same procedures described for the LH side.

13. REMOVE REAR BUMPER RETAINER UPPER LH

- (a) Detach the 2 clips and remove the retainer.

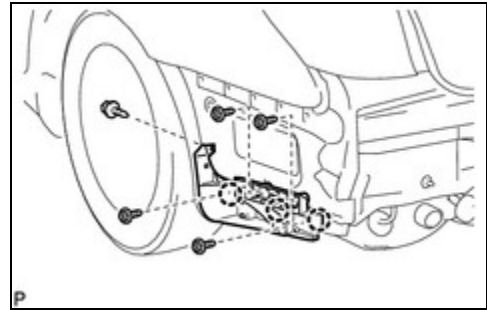


14. REMOVE REAR BUMPER RETAINER UPPER RH

- (a) Detach the wire clamp and 2 clips to remove the retainer.

15. REMOVE REAR BUMPER RETAINER LOWER LH

- (a) Remove the 5 screws.
- (b) Detach the 3 claws and remove the retainer.



16. REMOVE REAR BUMPER RETAINER LOWER RH

HINT:

Use the same procedures described for the LH side.

