


# 1UR-FSE, 2UR-GSE, 3UR-FE Accessory Drive Belt Tensioner

**Service Category** Engine/Hybrid System

**Section** Engine Mechanical

**Market** USA

Lexus Supports  
ASE Certification 

## Applicability

YEAR(S)	MODEL(S)	ADDITIONAL INFORMATION
2008	GS460	
2008	IS F	
2007 – 2008	LS460	
2008	LX570	

## Introduction

Some customers may experience an abnormal noise from the engine accessory drive belt area. An improved accessory drive belt tensioner assembly has been developed to keep the tensioner pulley in alignment with the other pulleys. If the tensioner pulley is out of alignment, use the procedure in this bulletin to address the customer's concern.

## Production Change Information

This TSIB applies to vehicles produced **BEFORE** the Production Change Effective VINs shown below.

MODEL	PLANT	PRODUCTION CHANGE EFFECTIVE VIN
LS460	Tahara	JTHBL4#F*85074011
LS460L		JTHGL4#F*85028662
GS460		JTHBL9#S*85002326
ISF		JTHBP2#2*85001591
LX570	TAB	JTJHY0#W*84005889

## 1UR-FSE, 2UR-GSE, 3UR-FE Accessory Drive Belt Tensioner

### Parts Information

MODEL	PREVIOUS PART NUMBER	CURRENT PART NUMBER	PART NAME	QTY
LS460 LS460L GS460 ISF	16620-0W130	Same	Tensioner Assembly, V-Ribbed Belt	1
LX570	16620-0S010			1

### Warranty Information

OP CODE	DESCRIPTION	TIME	OFF	T1	T2
EG8044	R&R Accessory Drive Belt Tensioner	0.5	16620-0S010 or 16620-0W130	91	14

#### APPLICABLE WARRANTY

- This repair is covered under the Lexus comprehensive Warranty. This warranty is in effect for 48 months or 50,000 miles, whichever occurs first, from the vehicle's in-service date.
- Warranty application is limited to correction of a problem based upon a customer's specific complaint.

### Repair Procedure

1. Remove the drive belt.

Refer to the Technical Information System (TIS), applicable model year GS 460, IS F, LS 460 and LX 570 Repair Manual:

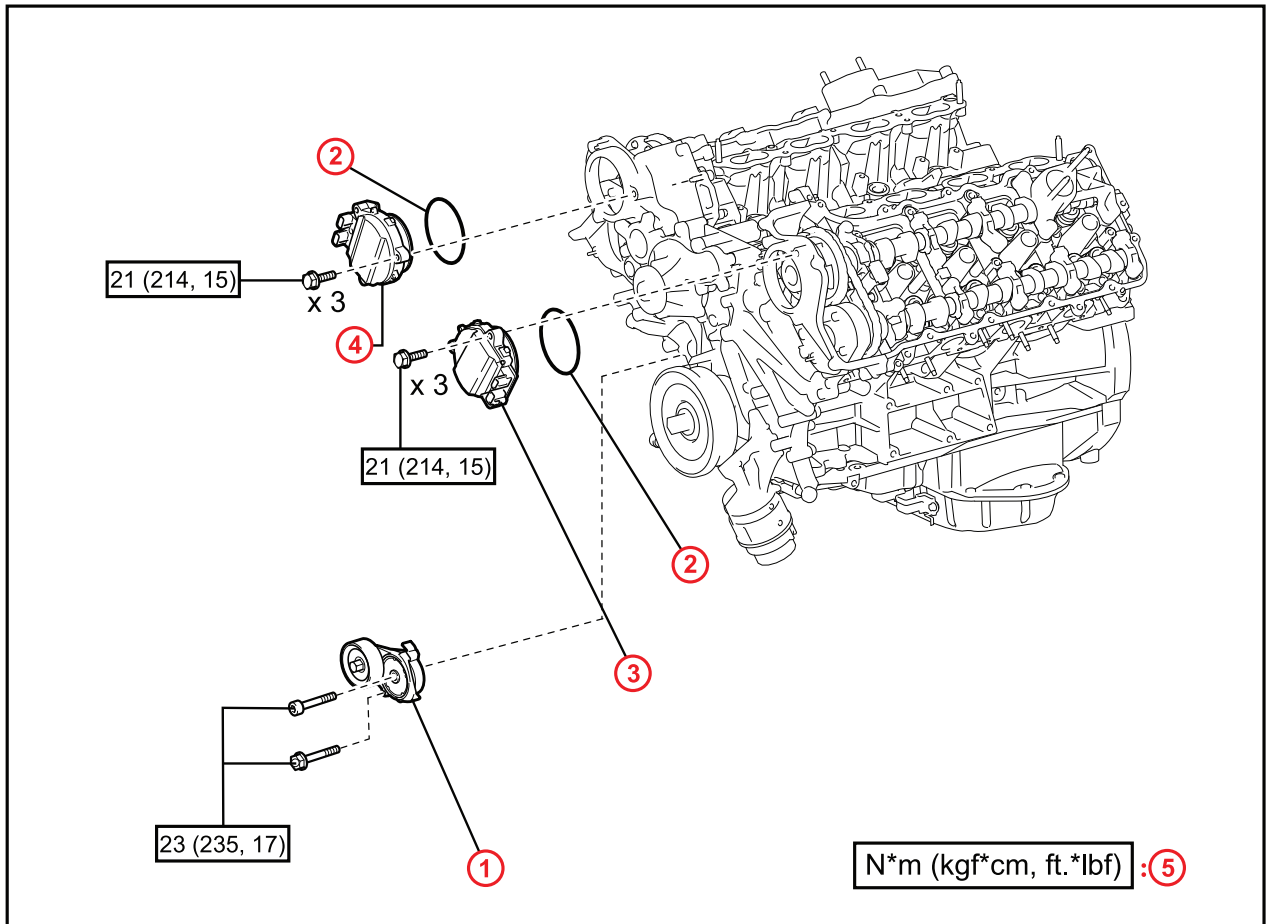
- [2008](#) GS 460, *Engine/Hybrid System – Engine Mechanical – “1UR-FSE Engine Mechanical: Drive Belt: Removal”*
- [2008](#) IS F, *Engine/Hybrid System – Engine Mechanical – “2UR-GSE Engine Mechanical: Drive Belt: Removal”*
- [2007](#) / [2008](#) / LS 460, *Engine/Hybrid System – Engine Mechanical – “1UR-FSE Engine Mechanical: Drive Belt: Removal”*
- [2008](#) LX 570, *Engine/Hybrid System – Engine Mechanical – “3UR-FE Engine Mechanical: Drive Belt: Removal”*

# 1UR-FSE, 2UR-GSE, 3UR-FE Accessory Drive Belt Tensioner

## Repair Procedure (Continued)

2. Remove the drive belt tensioner assembly.

Figure 1. 1UR-FSE/2UR-GSE Engine



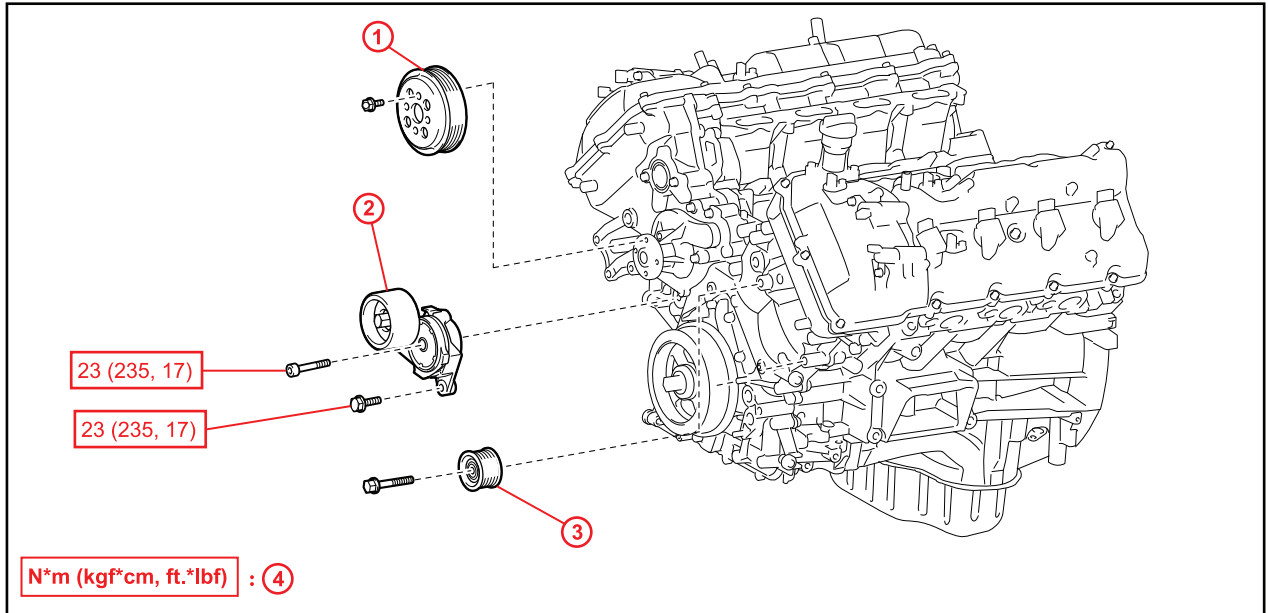
1	V-Ribbed Belt Tensioner Assembly
2	O-Ring (Non-Reusable Part)
3	Camshaft Timing Control Motor (for Bank 1)

4	Camshaft Timing Control Motor (for Bank 2)
5	Specified Torque

# 1UR-FSE, 2UR-GSE, 3UR-FE Accessory Drive Belt Tensioner

## Repair Procedure (Continued)

Figure 2. 3UR-FE Engine



1	Water Pump Pulley
2	V-Ribbed Belt Tensioner Assembly

3	No. 1 Idler Pulley Sub-assembly
4	Specified Torque

3. Replace the drive belt tensioner assembly.

**Torque: 23 N\*m (235 kgf\*cm, 17 ft\*lbf)**

4. Replace the drive belt.

Refer to TIS:

- [2008](#) GS 460, *Engine/Hybrid System – Engine Mechanical – “1UR-FSE Engine Mechanical: Drive Belt: Installation”*
- [2008](#) IS F, *Engine/Hybrid System – Engine Mechanical – “2UR-GSE Engine Mechanical: Drive Belt: Installation”*
- [2007](#) / [2008](#) / LS 460, *Engine/Hybrid System – Engine Mechanical – “1UR-FSE Engine Mechanical: Drive Belt: Installation”*
- [2008](#) LX 570, *Engine/Hybrid System – Engine Mechanical – “3UR-FE Engine Mechanical: Drive Belt: Installation”*

5. Confirm the condition has been remedied.