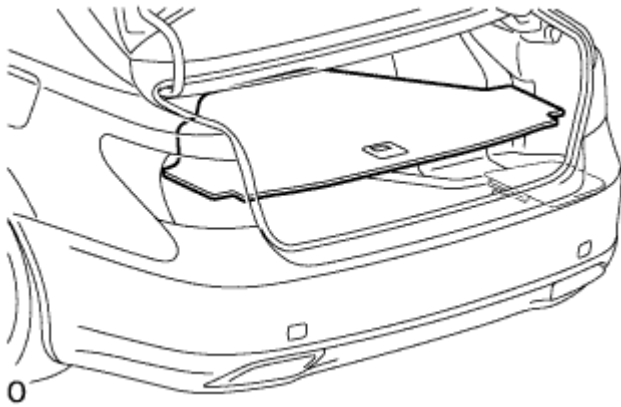


# STEREO COMPONENT AMPLIFIER > REMOVAL

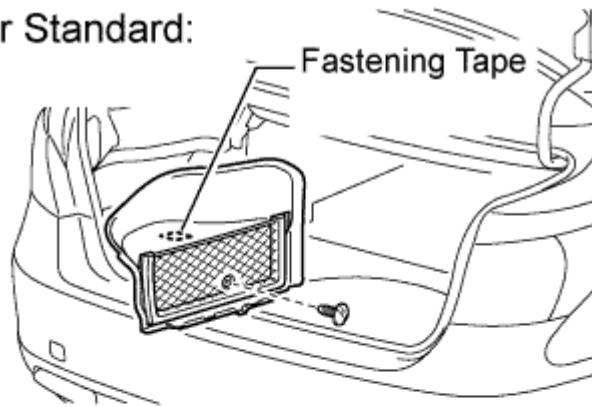
for Preparation [Click here](#)

1. REMOVE LUGGAGE COMPARTMENT MAT SUB-ASSEMBLY

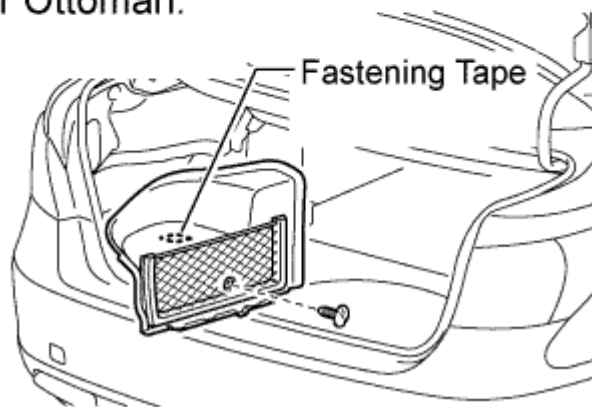


2. REMOVE BATTERY SERVICE HOLE COVER LH

for Standard:



for Ottoman:



0

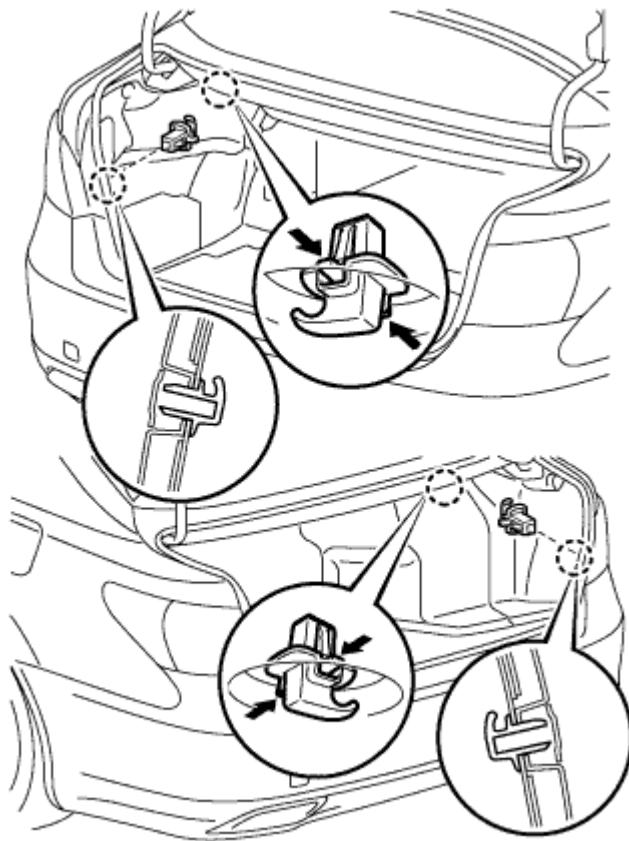
1. Detach the clip, fastening tape and remove the battery service hole cover.

### 3. DISCONNECT CABLE FROM NEGATIVE BATTERY TERMINAL

NOTICE:

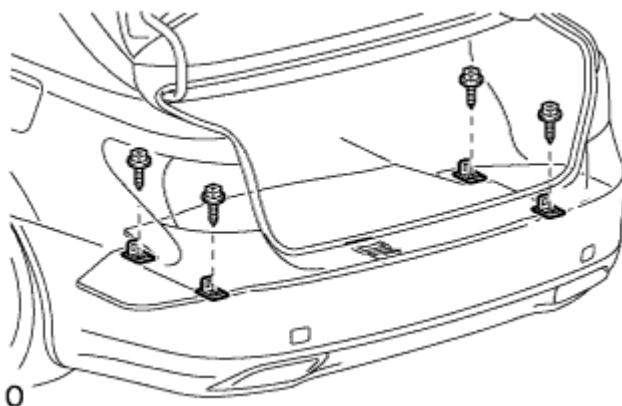
When disconnecting the cable some systems need to be initialized after the cable is reconnected ([Click here](#)).

### 4. REMOVE ROPE HOOK



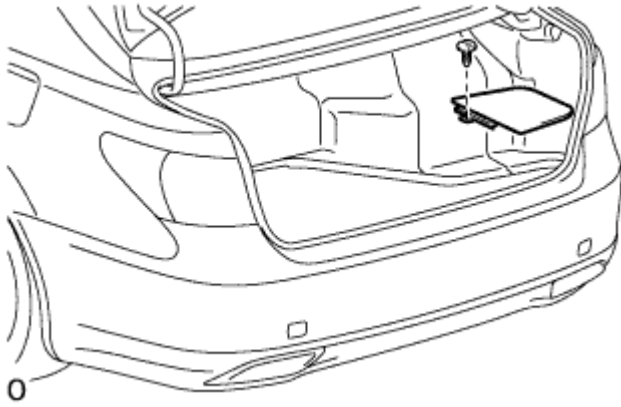
1. Remove the 4 rope hooks by pushing the claws in the direction of the arrows in the illustration.

#### 5. REMOVE ROPE HOOK ASSEMBLY



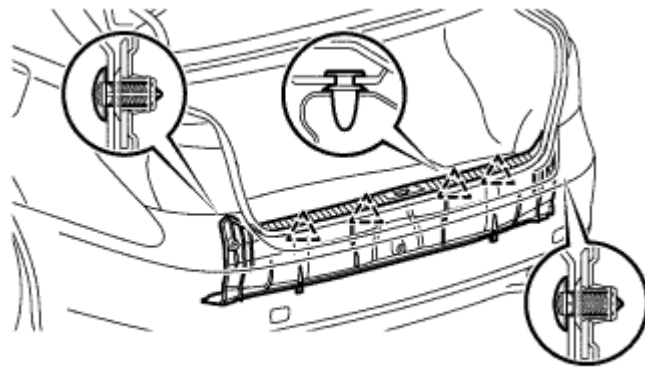
1. Remove the 4 bolts and 4 rope hooks.

#### 6. REMOVE DECK TRIM SIDE BOARD RH



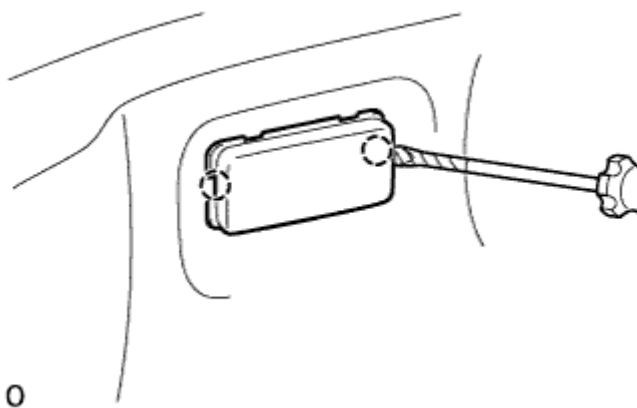
1. Remove the clip.
2. Remove the deck trim side board.

#### 7. REMOVE REAR FLOOR FINISH PLATE



1. Remove the 3 clips.
2. Detach the 4 clips and finish plate.

#### 8. REMOVE NO. 1 LUGGAGE COMPARTMENT LIGHT ASSEMBLY



1. Using a screwdriver, detach the 2 claws and remove the light assembly.

HINT:

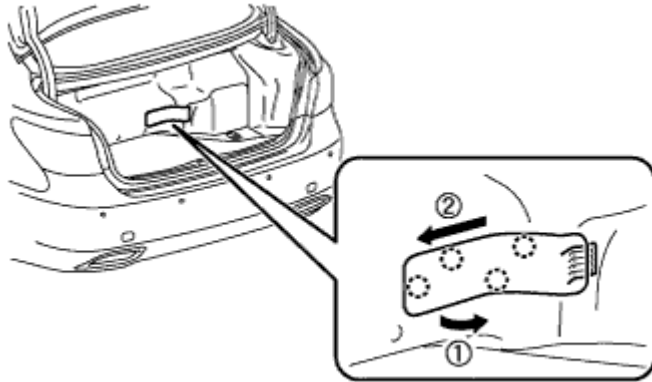
Tape the screwdriver tip before use.

2. Disconnect the connector.

#### 9. REMOVE NO. 1 COOLER COVER (w/ Rear Cooler)

1. Detach the 2 clips and remove the cover.

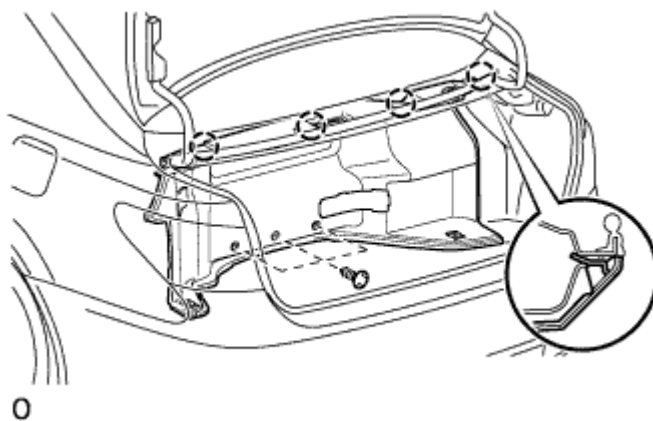
#### 10. REMOVE BATTERY SERVICE HOLE COVER



1. Pull the battery service hole cover in the direction of arrow 1, then slide it in the direction of arrow 2 to remove it.

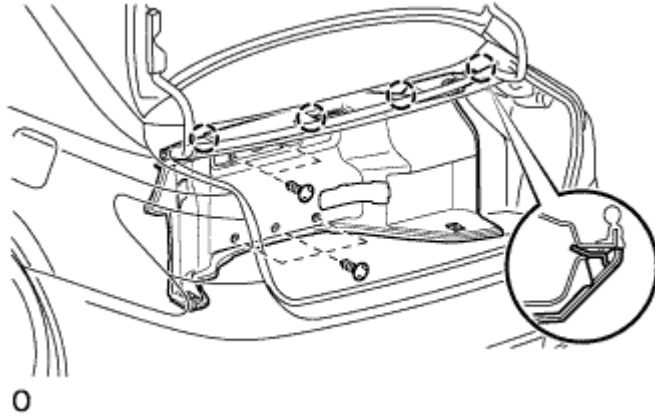
#### 11. REMOVE FRONT LUGGAGE COMPARTMENT TRIM COVER

1. w/o Rear Cooler:



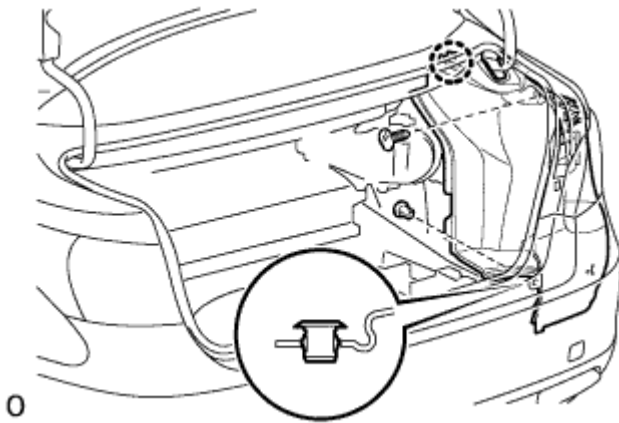
1. Remove the 4 claws, 3 clips and trim.

2. w/ Rear Cooler:



1. Remove the 4 claws, 5 clips and trim.

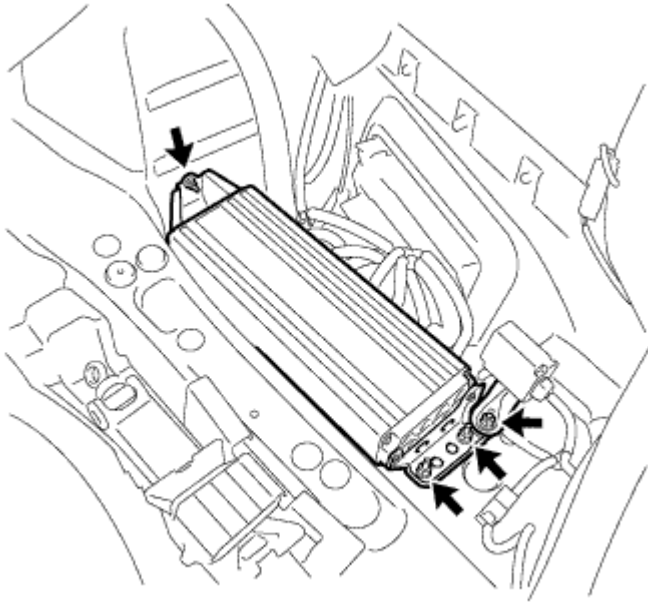
#### 12. REMOVE LUGGAGE COMPARTMENT TRIM COVER ASSEMBLY RH



1. Remove the 2 clips.
2. Detach the claw and luggage compartment trim cover.

#### 13. REMOVE STEREO COMPONENT AMPLIFIER ASSEMBLY WITH BRACKET

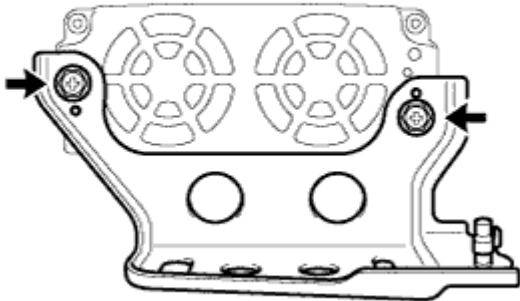
1. Disconnect the connectors.



G

2. Remove the 4 nuts and amplifier with bracket.

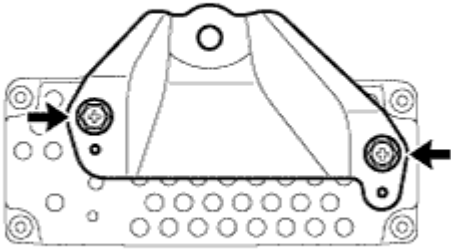
14. REMOVE NO. 1 AMPLIFIER BRACKET



G

1. Remove the 2 screws and bracket.

15. REMOVE NO. 2 AMPLIFIER BRACKET



G

1. Remove the 2 screws and bracket.