

Center Console Wood Grain Panel Cracked

Service Category Vehicle Interior

Section Interior Panels/Trim

Market USA

Lexus Supports
ASE Certification 

Applicability

YEAR(S)	MODEL(S)	ADDITIONAL INFORMATION
2007 – 2011	LS460, LS600H	

Introduction

Some 2007-2011 model year LS 460/460L/600hL vehicles may exhibit a “crack” in the clear coat of wood trimmed center console components. Updated center console components are now available for Medium Brown Walnut and Matte Dark Brown Ash Burl colored panels.

Production Change Information

This TSIB applies to vehicles produced **BEFORE** the Production Change Effective VINs shown below.

MODEL	DRIVETRAIN	PRODUCTION CHANGE EFFECTIVE VIN
LS 460	2WD	JTHBL1EF#B5105737
		JTHBL5EF#B5105719
	AWD	JTHCL1EF#B5010797
		JTHCL5EF#B5011016
LS 460L	2WD	JTHGL1EF#B5043707
		JTHGL5EF#B5043665
	AWD	JTHDL1EF#B5003604
		JTHDL5EF#B5003623
LS 600hL	AWD	JTHDU1EF#B5014167
		JTHDU5EF#B5013698

Center Console Wood Grain Panel Cracked

Parts Information

PREVIOUS PART NUMBER	CURRENT PART NUMBER	PART NAME	COLOR	QTY	
58822-50040-E1	58822-50041-E1	Panel, console, UPR Rr	Medium Brown Walnut	1	
58822-50040-E2	58822-50041-E2		Matte Dark Brown Ash Burl	1	
58822-50060-E1	58822-50061-E1		Medium Brown Walnut	1	
58822-50060-E2	58822-50061-E2		Matte Dark Brown Ash Burl	1	
58822-50070-E1	58822-50071-E1		Medium Brown Walnut	1	
58822-50070-E2	58822-50071-E2		Matte Dark Brown Ash Burl	1	
58822-50080-E1	58822-50081-E1		Medium Brown Walnut	1	
58822-50080-E2	58822-50081-E2		Matte Dark Brown Ash Burl	1	
58822-50090-E1	58822-50091-E1		Medium Brown Walnut	1	
58822-50090-E2	58822-50091-E2		Matte Dark Brown Ash Burl	1	
58822-50100-E1	58822-50101-E1		Medium Brown Walnut	1	
58822-50100-E2	58822-50101-E2		Matte Dark Brown Ash Burl	1	
58822-50180-E1	58822-50181-E1		Medium Brown Walnut	1	
58822-50200-E0	58822-50201-E0		Medium Brown Walnut	1	
58822-50200-E1	58822-50201-E1		Panel, console, UPR Rr	Matte Dark Brown Ash Burl	1

Center Console Wood Grain Panel Cracked

Parts Information (Continued)

PREVIOUS PART NUMBER	CURRENT PART NUMBER	PART NAME	COLOR	QTY
58805-50020-E1	58805-50021-E1	Panel S/A, console, UPR Rr	Medium Brown Walnut	1
58805-50020-E2	58805-50021-E2		Matte Dark Brown Ash Burl	1
58805-50040-E1	58805-50041-E1		Medium Brown Walnut	1
58805-50040-E2	58805-50041-E2		Matte Dark Brown Ash Burl	1
58805-50050-E1	58805-50051-E1		Medium Brown Walnut	1
58805-50050-E2	58805-50051-E2		Matte Dark Brown Ash Burl	1
58805-50060-E1	58805-50061-E1		Medium Brown Walnut	1
58805-50060-E2	58805-50061-E2		Matte Dark Brown Ash Burl	1
58805-50070-E1	58805-50071-E1		Medium Brown Walnut	1
58805-50070-E2	58805-50071-E2		Matte Dark Brown Ash Burl	1
58805-50080-E1	58805-50081-E1		Medium Brown Walnut	1
58805-50080-E2	58805-50081-E2		Matte Dark Brown Ash Burl	1
58805-50160-E1	58805-50161-E1		Medium Brown Walnut	1
58805-50190-E0	58805-50191-E0		Medium Brown Walnut	1
58805-50190-E1	58805-50191-E1		Matte Dark Brown Ash Burl	1
55620-50040-E1	55620-50041-E1	Holder assy, instrument panel cup	Medium Brown Walnut	1
55620-50040-E2	55620-50041-E2		Matte Dark Brown Ash Burl	1

Center Console Wood Grain Panel Cracked

Warranty Information

OP CODE	DESCRIPTION	TIME	OFF	T1	T2
BD1119	R&R Wood Trimmed Center Console Components	0.3	58822-50##0-## 58805-50##0-## 55620-50040-##	67	16

APPLICABLE WARRANTY

- This repair is covered under the Lexus Comprehensive Warranty. This warranty is in effect for 48 months or 50,000 miles, whichever occurs first, from the vehicle's in-service date.
- Warranty application is limited to occurrence of the specified condition described in this bulletin.

Required Tools & Equipment

SPECIAL SERVICE TOOLS (SST)	PART NUMBER	QTY
Plastic Pry Tool Set*	00002-06000-01	1

* Essential SST.

NOTE

Additional SSTs may be ordered by calling 1-800-933-8335.

Required Materials

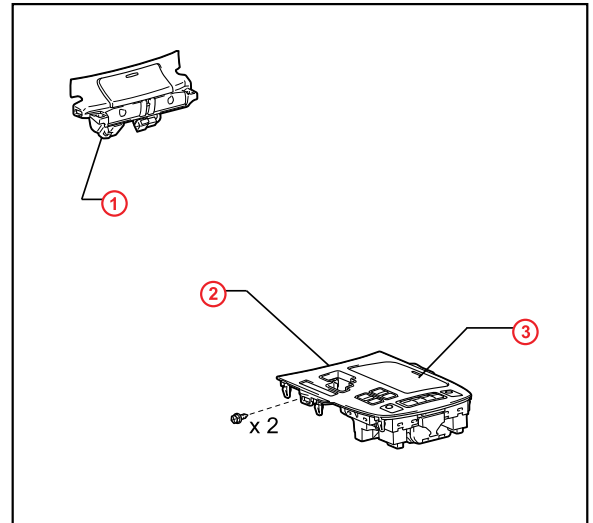
TOOLS & MATERIAL	QUANTITY
Masking Tape	As needed

Center Console Wood Grain Panel Cracked

Repair Procedure

1. Inspect the upper console panel sub-assembly, upper rear console panel sub-assembly, and instrument panel cup holder sub-assembly wood grain panels for cracks in the clear coat.

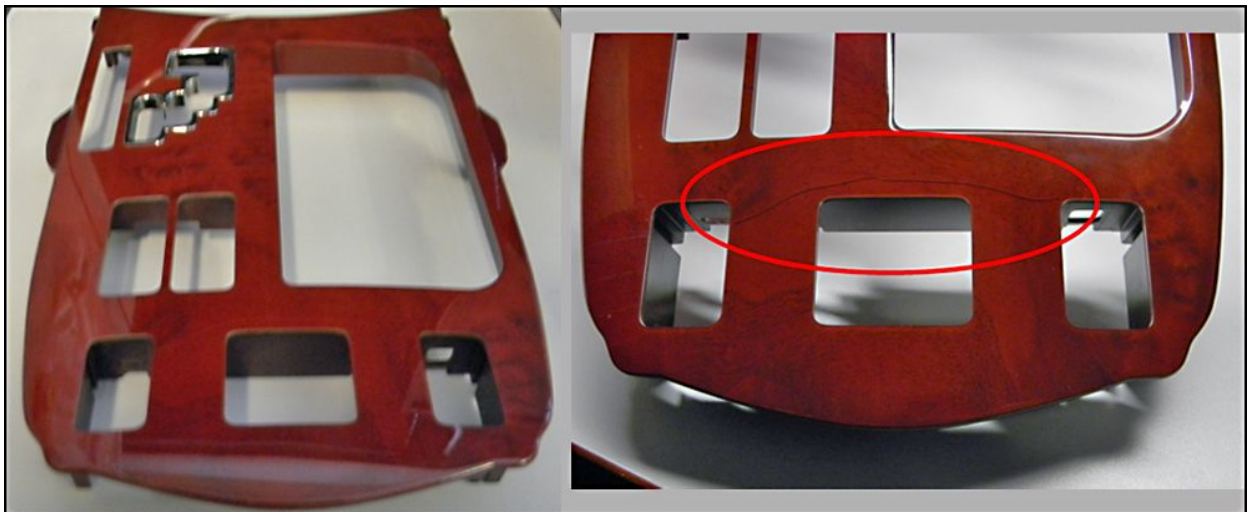
Figure 1.



1	Upper console panel sub-assembly
2	Upper rear console panel sub-assembly
3	Instrument panel cup holder sub-assembly

2. If a crack is found in the clear coat of one or more of the upper console panels, proceed to step 2, otherwise, this TSIB does not apply.

Figure 2. Example of condition



Center Console Wood Grain Panel Cracked

Repair Procedure (Continued)

3. Remove the affected front center console components. Refer to the Technical Information System (TIS), applicable model and model year Repair Manual.

[2007](#) / [2008](#) / [2009](#) / [2010](#) / [2011](#) LS 460/600hL

Vehicle Interior – Interior Panels/Trim – Front Console Box: Removal

4. If necessary, separate the Instrument Panel Cup Holder from the Upper Rear Console Panel Sub Assembly.
 - A. Flip the Upper Rear console Panel Sub-Assembly over and disconnect the jumper harness to the combination switch assembly.

Figure 3.



1	Screw
----------	--------------

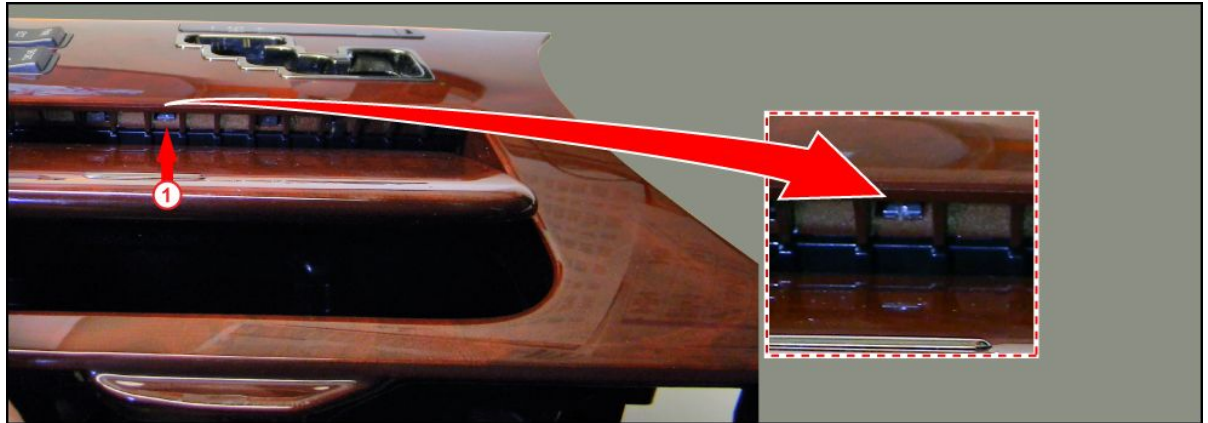
2	Jumper harness
----------	-----------------------

- B. Remove the 4 Instrument Panel Cup Holder retention screws.
 - C. Flip the Upper Rear Console Panel Sub-Assembly over and apply masking tape to the Instrument Panel Cup Holder Cover to avoid damaging the finish.

Center Console Wood Grain Panel Cracked

Repair Procedure (Continued)

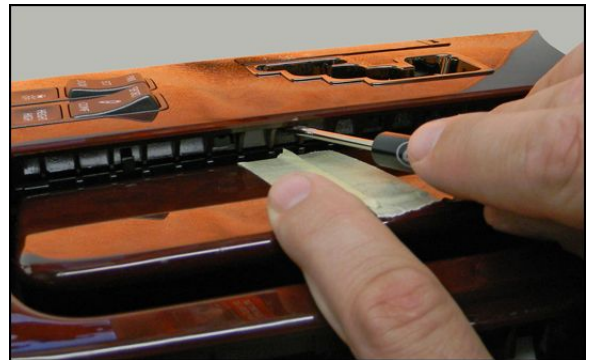
Figure 4.



1	Plastic retention claw
---	------------------------

- D. Open the Instrument Panel Cup Holder Cover half-way to expose the plastic retention claw and using a small flathead screwdriver or similar tool, disengage the claw.

Figure 5.



- 5. Install the NEW front center console component(s) and reassemble the front console box. Refer to TIS, applicable model and model year Repair Manual.

[2007](#) / [2008](#) / [2009](#) / [2010](#) / [2011](#) LS 460/600hL
Vehicle Interior – Interior Panels/Trim – Front Console Box: Installation

- 6. If necessary, reinstall the Instrument Panel Cup Holder to the Upper Rear Console Panel Sub Assembly in reverse order of disassembly.

NOTICE
 Some color variation is normal in wood trimmed components.